

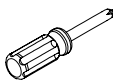
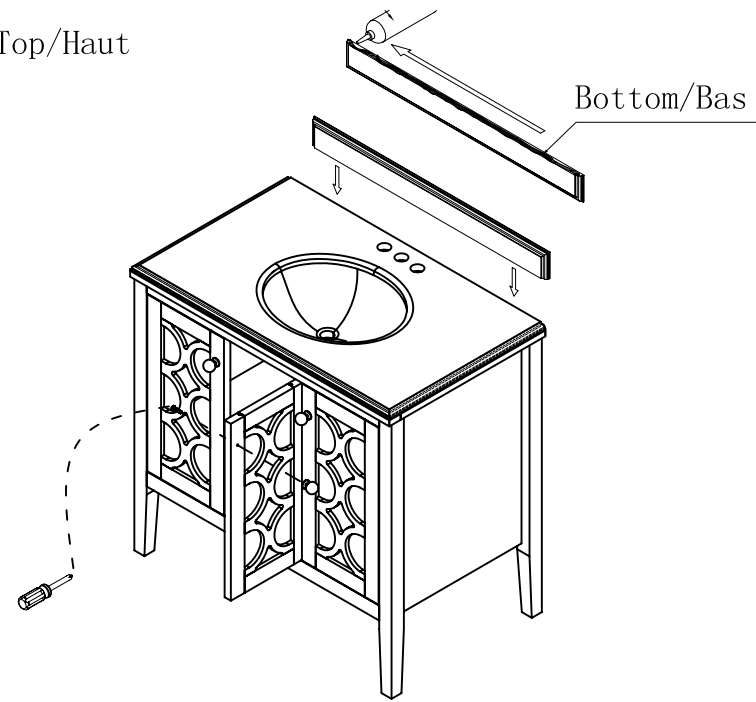


| | |
|---|---|
|  <p>A ×3</p> |  <p>B ×3</p> |
|  <p>C ⊕</p> | |

Top/Haut

Bottom/Bas

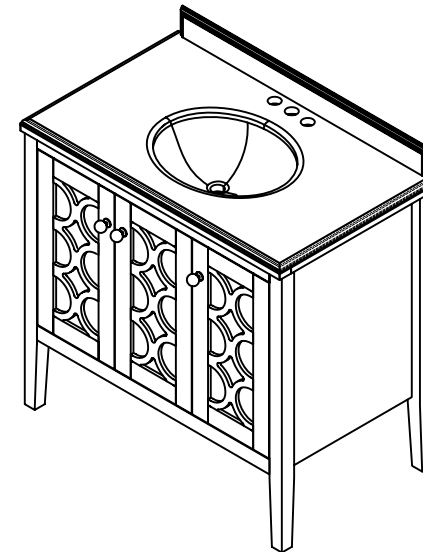
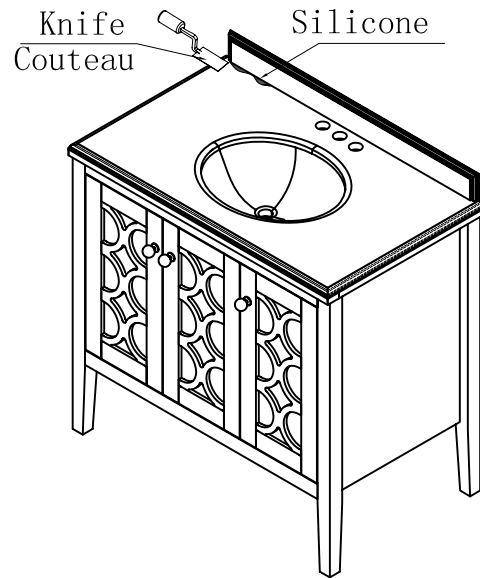


1

2

3

4



Marrakech-36"