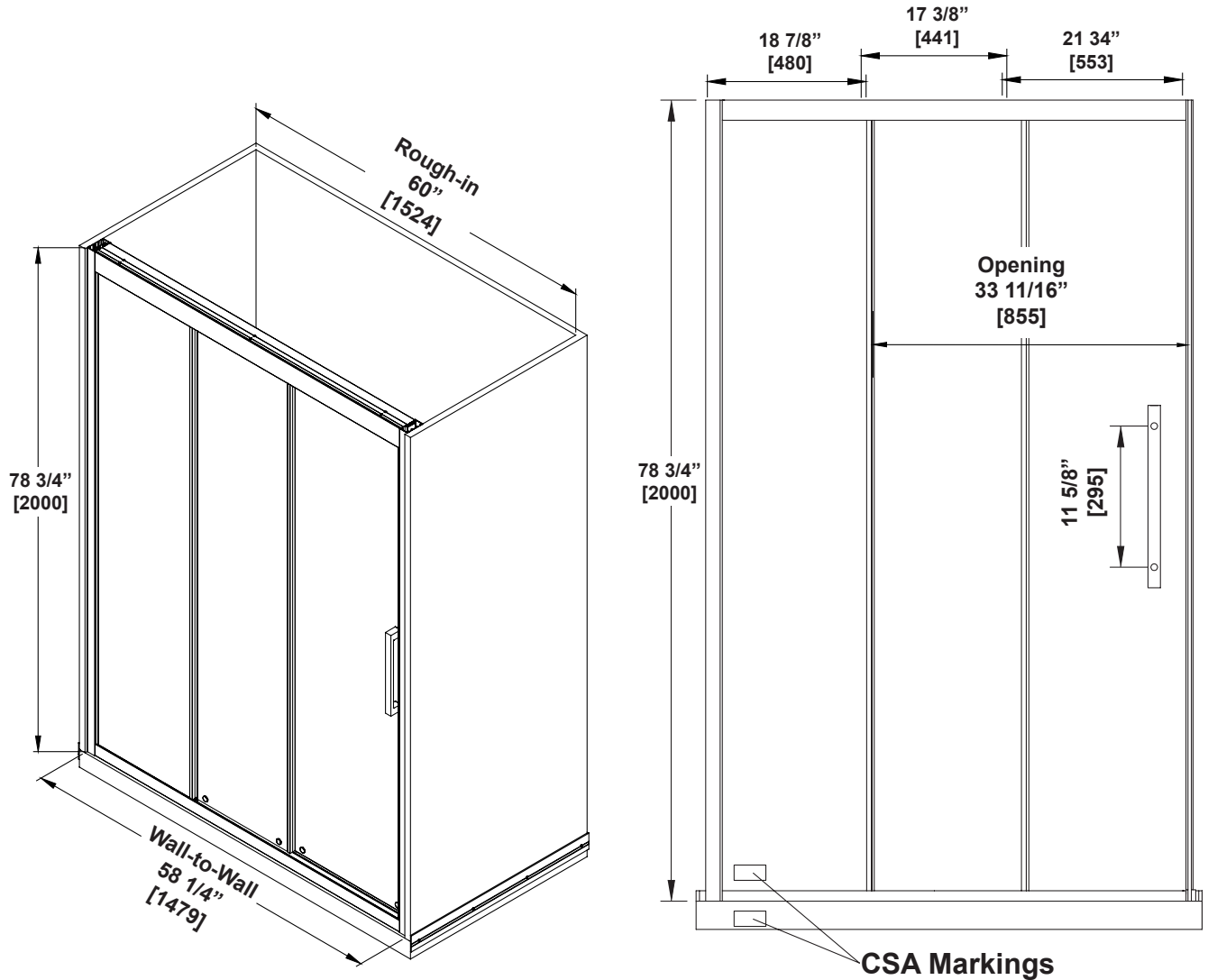


Measures: inch [millimeter]



An installation video guide can be found on our Youtube channel.
<https://youtu.be/HwjTMSGevVM>

Purchase date: _____

Product Tracking Reference: _____



Questions, problems, missing parts?
 Before returning to your retailer, call our customer service department at
 1-866-839-2888, 9 a.m. - 5 p.m., EST, Monday - Friday

SAFETY INFORMATION

CAUTION

Please carefully read the following important safety information before handling or installing this shower. There is a risk of serious injury while handling this product. To minimize these risks, please note:

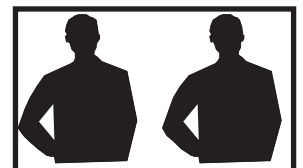
- Always wear safety glasses and gloves while handling.
- Always read and follow all the steps in the installation instructions.
- Inspect all contents and glass for damage before installation.
- Extreme caution should be taken while handling the glass during installation as the tempered glass may shatter if in contact with a hard surface.
- Handle the tempered glass with caution! Improperly handling the glass can cause it to break suddenly in small pieces (never in pointed fragments).
- Always take all precautions not to touch the tempered glass with any tools during the installation, or after installed.
- Do not cut or modify the tempered glass as it will shatter if cut.
- Carefully remove product from packaging and keep packaging until installation is complete.
- Inspect all parts for damage; if there is damage to the unit prior to installation, please contact customer service at the number provided in this guide.
- Install the shower on a floor that is level and able to accommodate the weight of the unit and an occupant.
- Consult local building codes and compliance standards prior to installation and ensure conformity.
- After installation, and from time to time, check the glass for fit and finish to ensure that nothing has come loose since installation.
- Keep this installation manual for future reference.

NOTICE

- Any modification or alteration from what is specified in this instruction manual will void any and all warranty on this product.
- The distributor is not responsible for any damage to the unit or personal property caused by improper installation. If you disregard instructional warnings, you will void your warranty and possibly deal with water damage.
- Consult www.ovedecors.com for any additional information or question on this product's installation.

PREPARATION

You will need at least two people to install this unit properly.



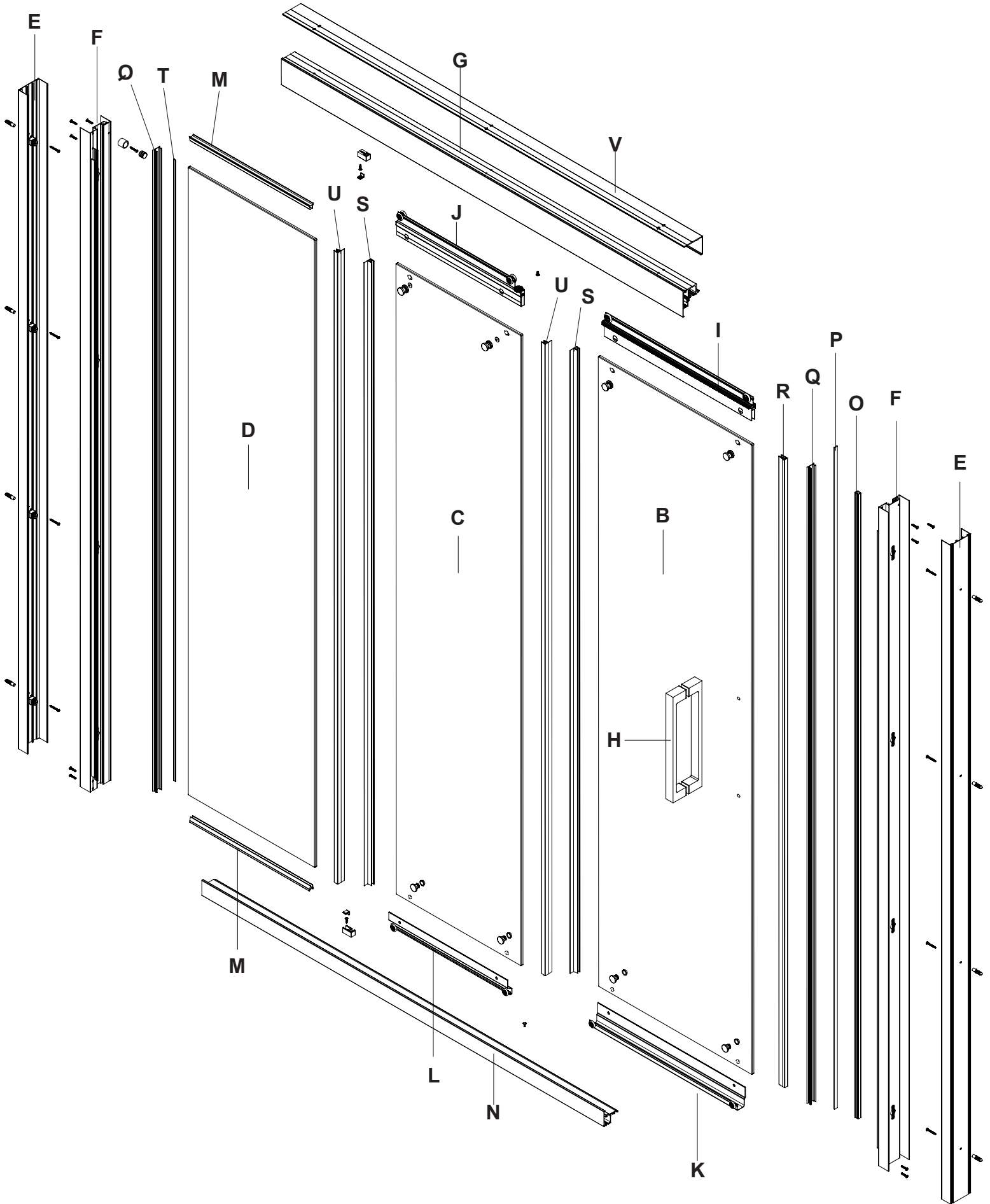
Before beginning assembly of product, make sure all parts are present. Compare parts with package contents list and hardware contents list. If any part is missing or damaged, do not attempt to assemble the product.

Estimated Assembly Time: Shower (120 min).

TABLE OF CONTENT

PACKAGE CONTENT.....	5
HARDWARE CONTENT.....	6
TOOLS REQUIRED.....	6
SHOWER REVERSIBILITY.....	7
WALL TO WALL MEASURES.....	7
BASE INSTALLATION GUIDELINES (OPTIONAL).....	8
FIXED PANEL INSTALLATION.....	9
TOP TRACK INSTALLATION.....	11
FRAME TRACK INSTALLATION.....	12
WALL TRACK INSTALLATION.....	13
DOOR INSTALLATION.....	15
STOPPER AND STRIPS INSTALLATION.....	18
HANDLE INSTALLATION & SEALING.....	21
LIMITED PRODUCT WARRANTY.....	22
CARE AND MAINTENANCE.....	22

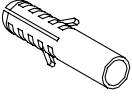
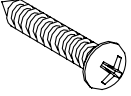
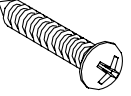
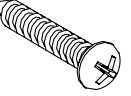
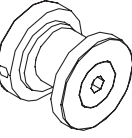
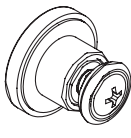
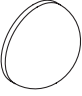

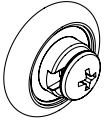
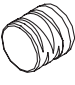

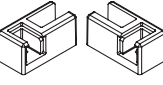
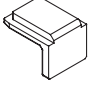


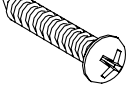
PACKAGE CONTENT






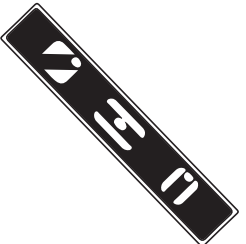

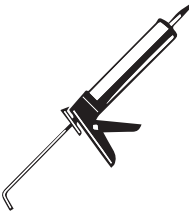



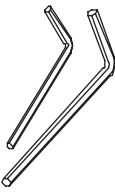

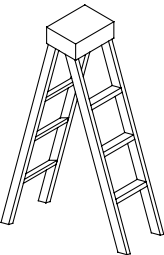
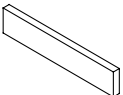
PACKAGE CONTENT

PART#	DESCRIPTION	QTY	CODE
B	Door panel	1	99SGD3111-WM
C	Center panel	1	99SG31010-WM
D	Fixed panel	1	99SG31009-WM
E	Wall track	2	99STR3114-WM
F	Frame track	2	99STR3123-WM
G	Top track	1	99SGS0039-WM
H	Door handle	1	99SHA3108-WM
I	Door rolling track	1	99SWE0037-WM
J	Cener panel rolling track	1	99SWE0038-WM
K	Door bottom rolling track	1	99SWE3119-WM
L	Center panel bottom rolling track	1	99SWE3120-WM
M	Horizontal rubber strips	2	99SRU0076
N	Bottom track	1	99STR3116-WM
O	Vertical rubber strip	1	99SRU0075
P	Magnetic strip	1	99SRU0070
Q	Aluminum covers	2	99STR3117-WM
R	Door magnetic track	1	99SRU0071
S	Vertical rubber strips (Long)	2	99SRU0072
T	Gasket	1	99SRU0073
U	Vertical rubber strips (Short)	2	99SRU0074
V	Top track cover	1	99STR3124-WM
W	Hardware content	1	99SHW0126-WM

HARDWARE CONTENT

AA	BB	CC	DD	EE	FF	GG	HH
							
Wall Anchor ø6x30mm 8+2	Screw ST4x35mm 8+2	Screw ST4x20mm 8+2	Screw ST4x12mm 3+1	Top glass bracket 4x	Bottom glass bracket 4x	Bottom bracket cap 4x	Cap 2x
II	KK	LL	MM	NN	OO	PP	QQ
							
Wheels with thread 2 extra	Plug 1x	Stopper 1x	Fixed Panel support 1+1	Support cap 2x	Top bracket cap 4x	Screw ST4x10mm 6+2	Screw ST4x30mm 2+1

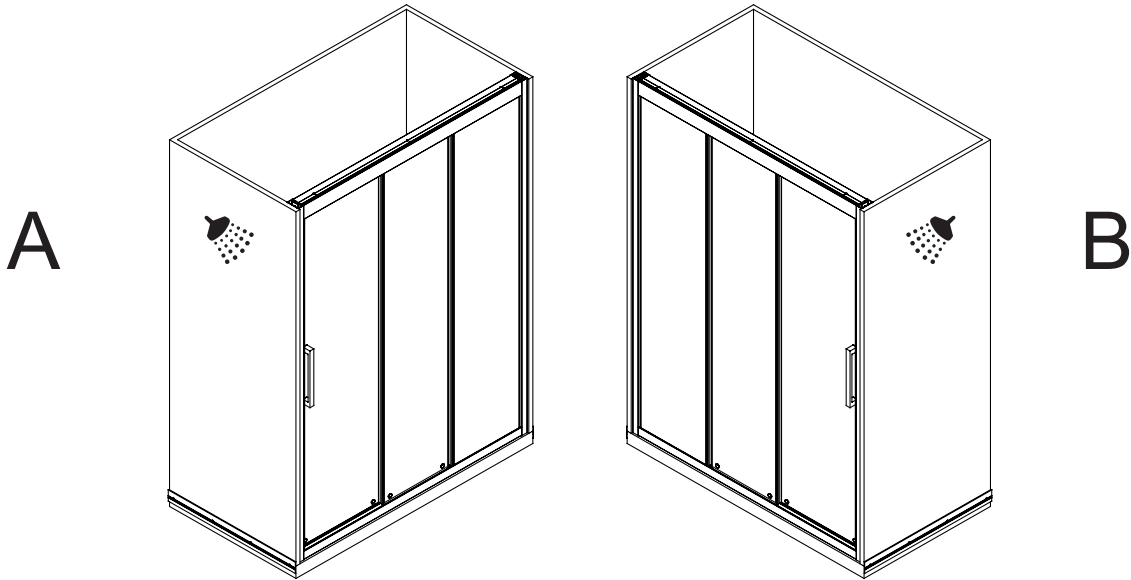
TOOLS REQUIRED

			
Pencil	Screwdriver	Drill with ceramic tile bit ø1/8"(3mm) & ø1/4"(6mm)	Level
			
Measuring Tape	Silicone	Rubber mallet	Cutter
			
Safety glasses	Allen key 2mm & 2.5mm & 3mm	Ratchet	Ladder
			
			Wood stick

SHOWER REVERSIBILITY

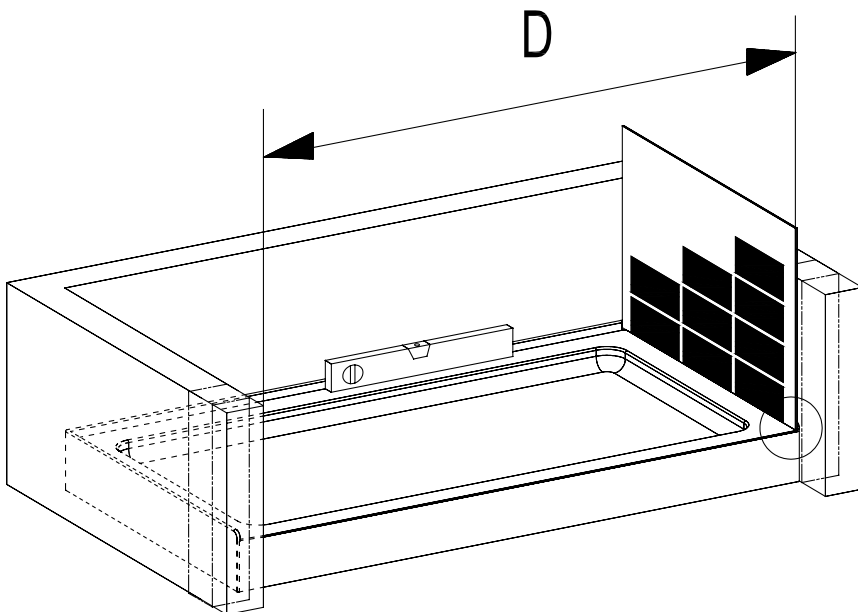
- This instruction is drawn up for an opening from right to left (see illustration B).
- For an installation from left to right (see illustration A), use the same instructions, but switch around the panels: mirror effect.

! Install the shower head on the door's side! This will reduce the risk of leaking.



WALL TO WALL MEASURES

- Measure the thickness of your tiles on either side before installing the metal tracks. A thicker tile will limit your space to install the shower panels.
- Make sure to have a tile to tile distance (D) between 1479mm (58 1/4 in) min. and 1498mm (59 in) max. (see image).

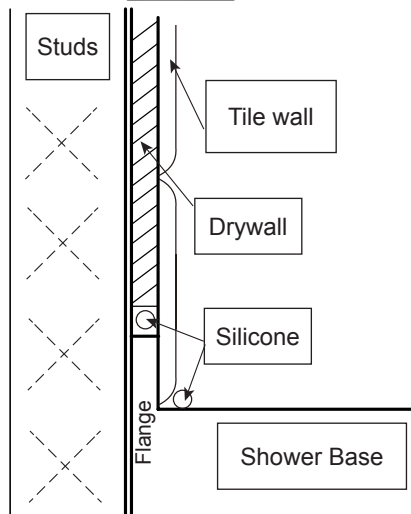


Make sure to have a distance (D) from the left side tile to the right side tile:

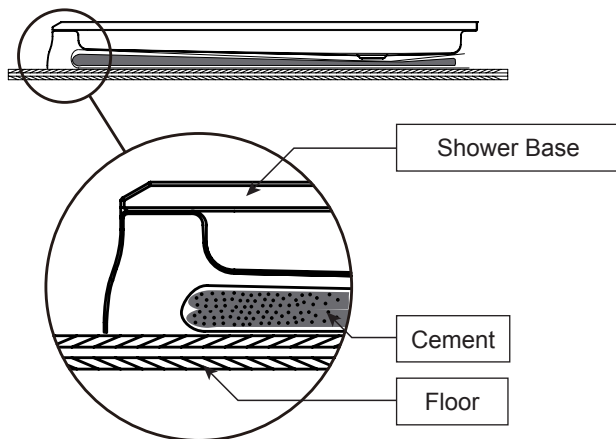
D Min: 1479mm (58 1/4 in)
D Max: 1498mm (59 in)

BASE INSTALLATION GUIDELINES (OPTIONAL)

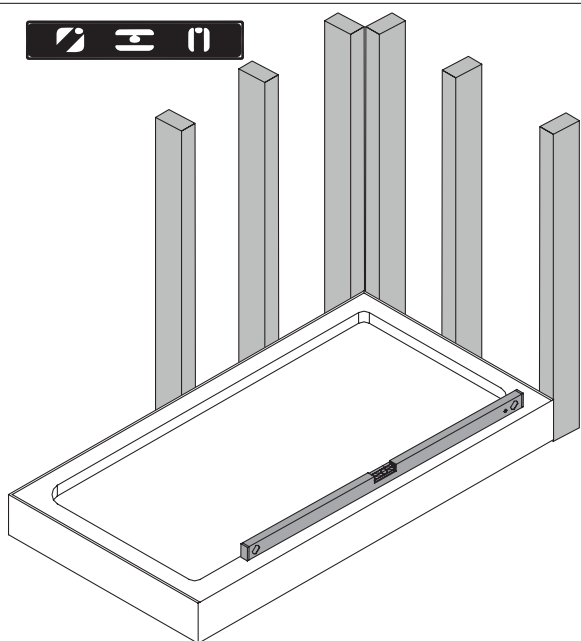
1



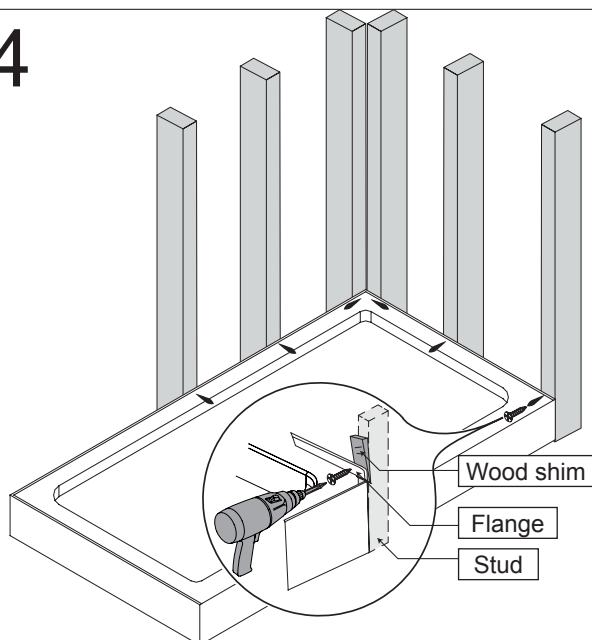
2



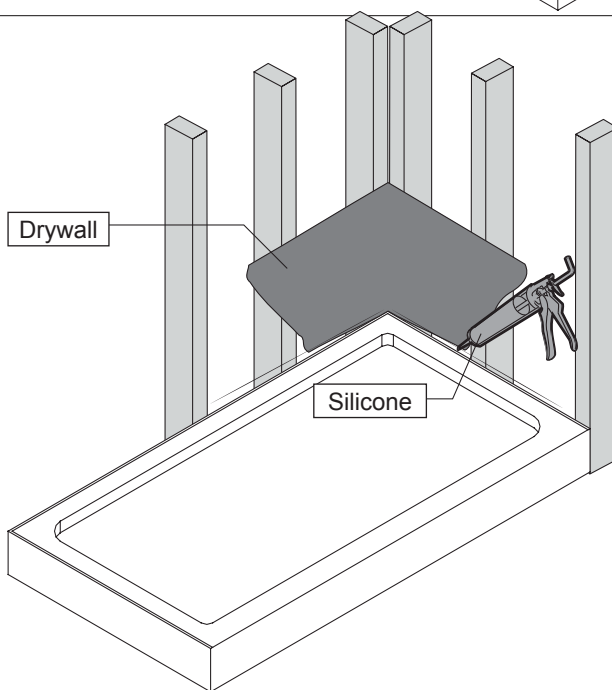
3



4

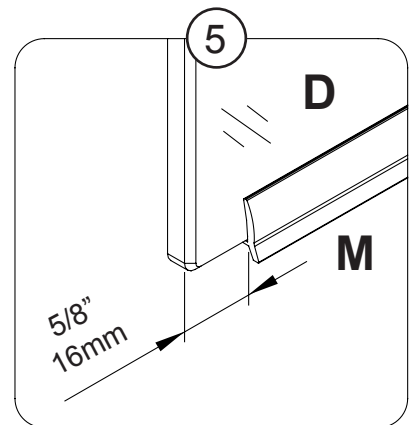
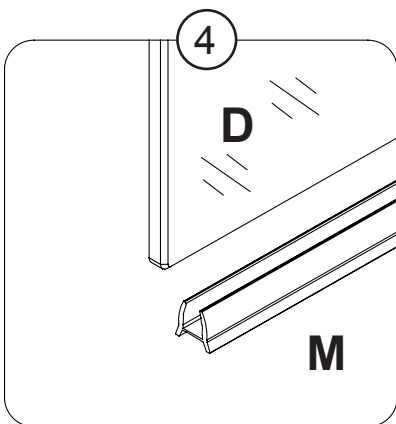
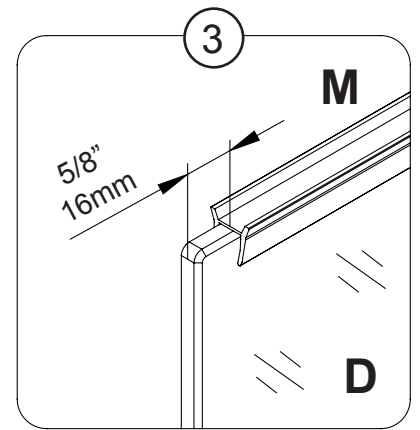
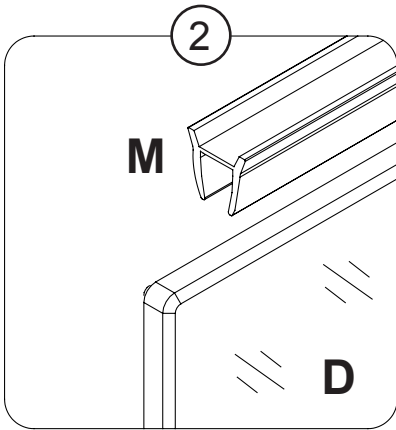
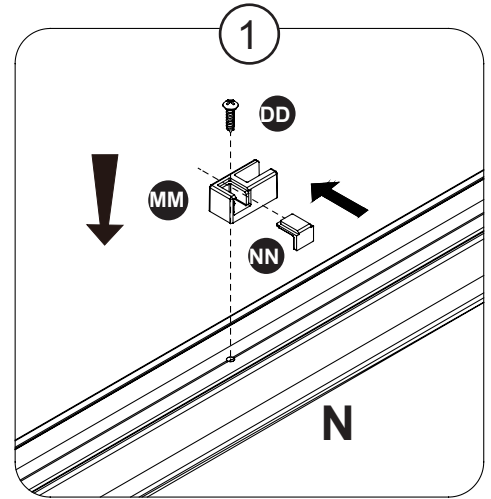
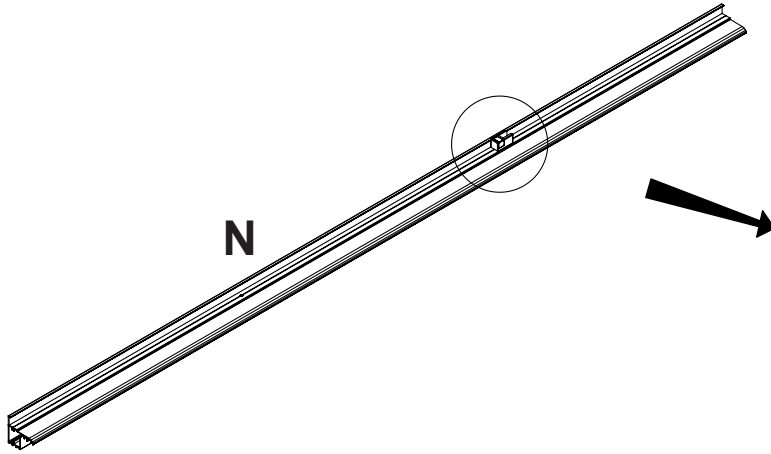


5



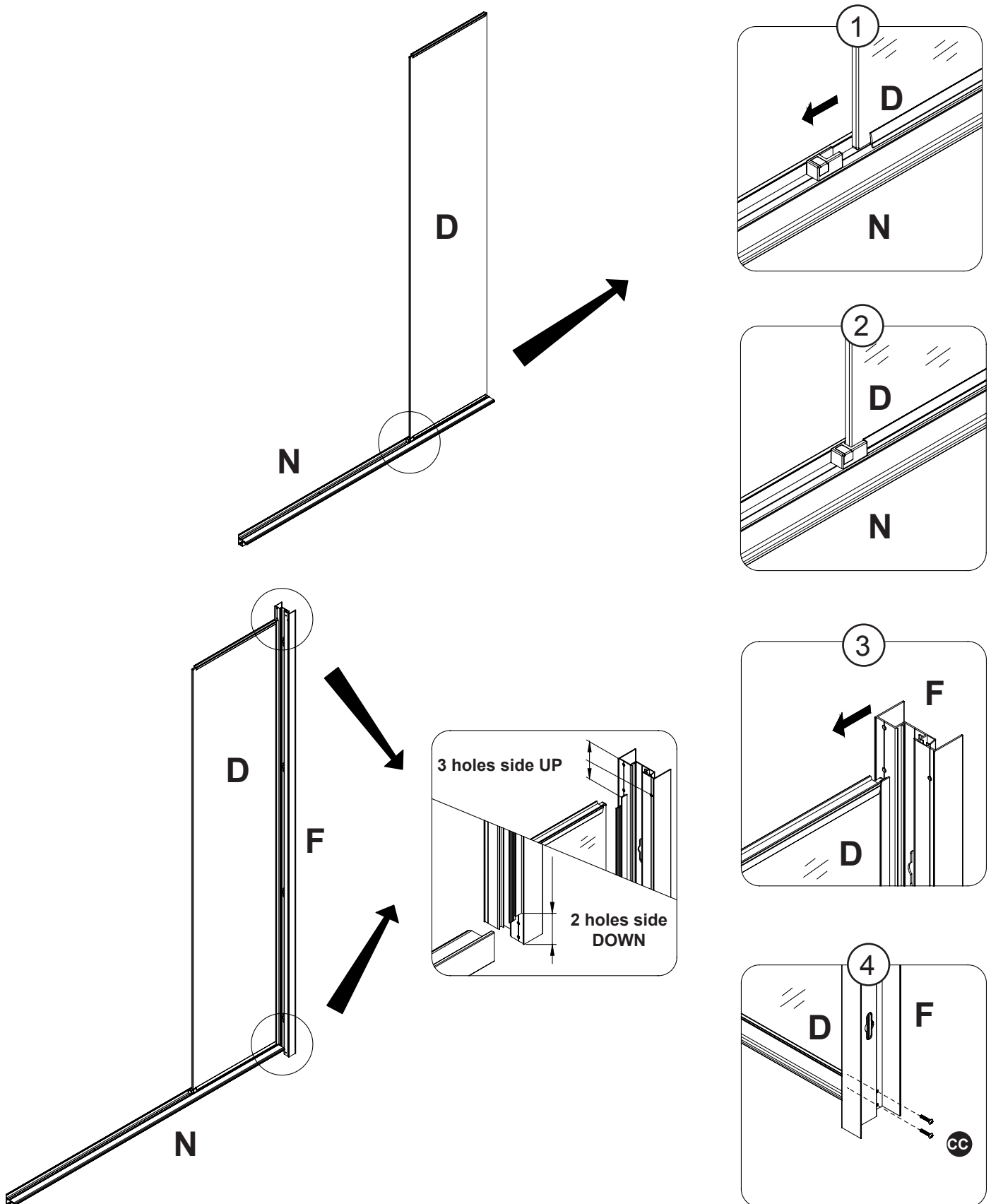
FIXED PANEL INSTALLATION

1. Install the clamp (MM) on the track (N) using screw (DD), and then insert the cap (NN).
- 2-3. Place the horizontal rubber strip (M) on the top of the fixed panel (D).
- 4-5. Place the horizontal rubber strip (M) on the bottom of the fixed panel (D).



FIXED PANEL INSTALLATION

- 1-2. Place the fixed panel (D) on the bottom track (N).
3. Place the track (F) on the fixed panel (D).
4. Secure the track (F) using screws (CC).

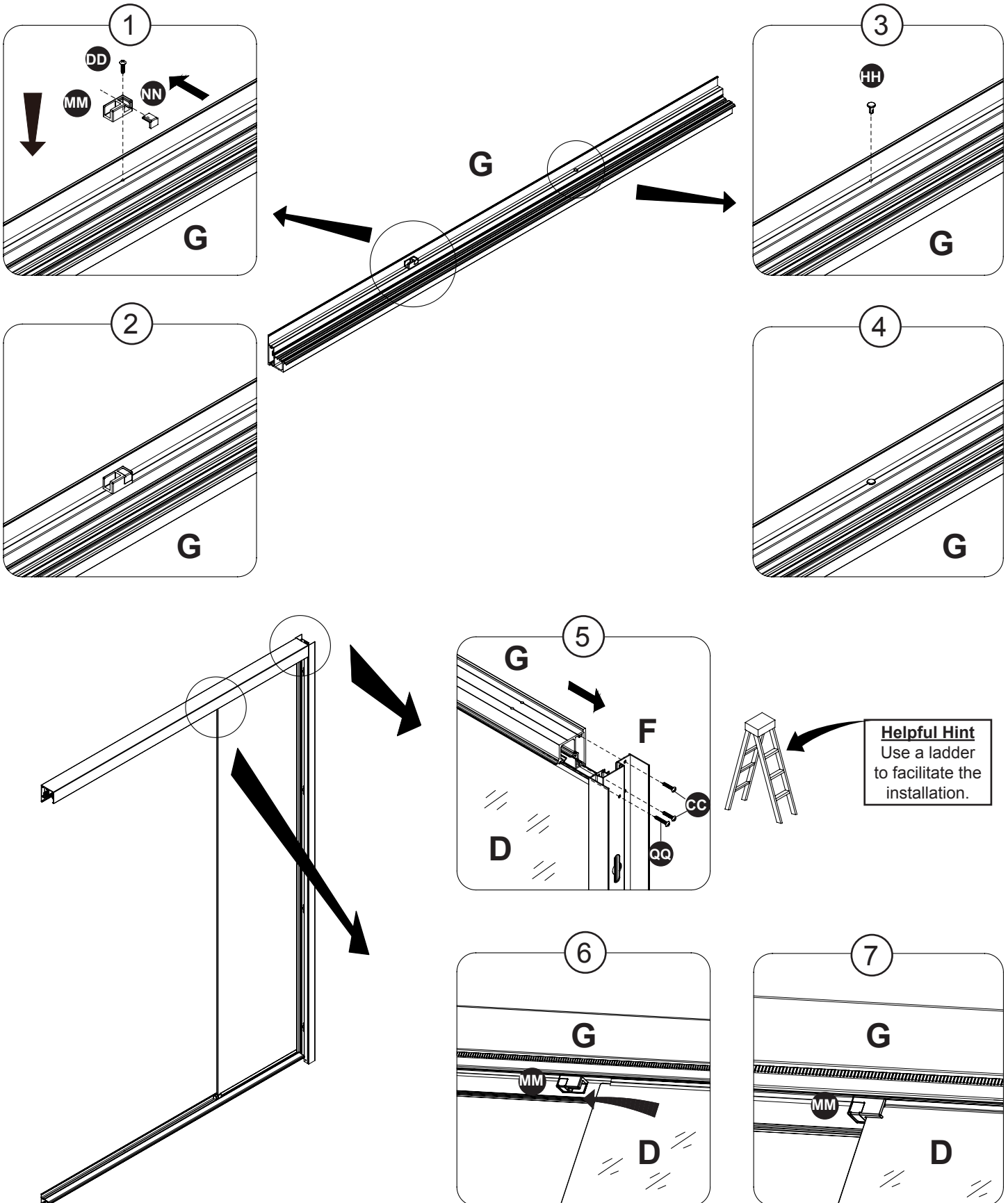


TOP TRACK INSTALLATION

1-2. Install the clamp (MM) on the top track (G) using screw (DD), and then insert the cap (NN).

3-4. Put the cap (HH) on the top track (G).

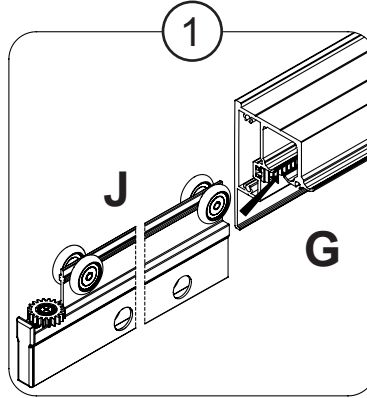
5-7. Place the top track (G) on the fixed panel (D) and secure the track (F) using the screws (CC & QQ).



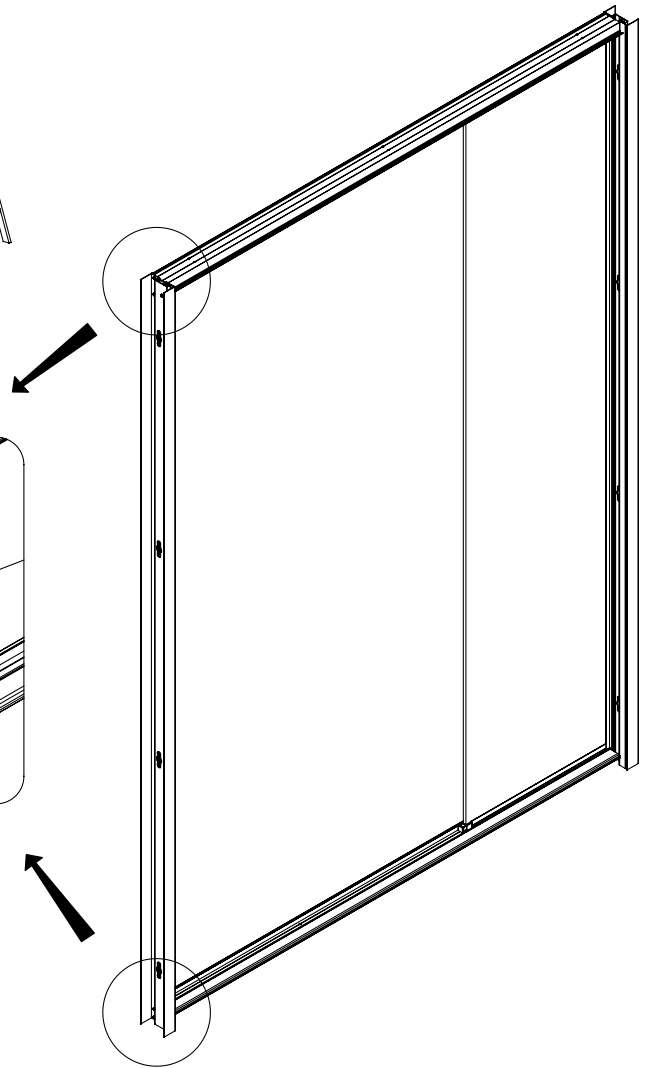
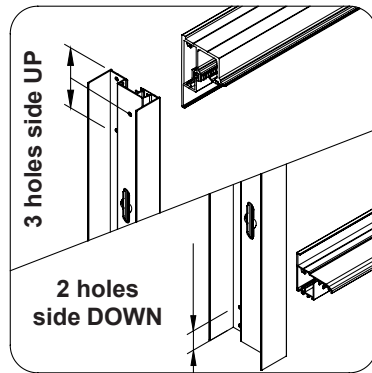
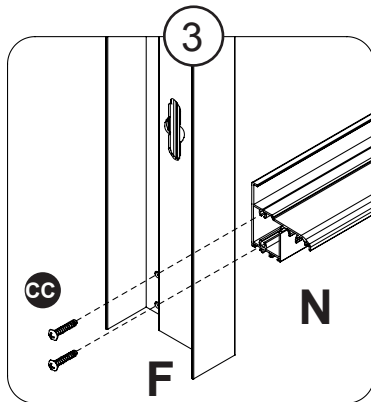
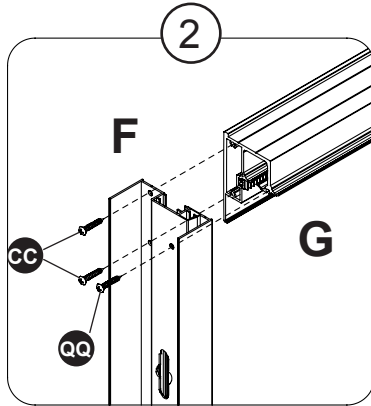
FRAME TRACK INSTALLATION

1. Slide the center panel rolling track (J) into the top track (G).

2-3. Install the track (F) on the top track (G) and the bottom track (N) using the screws (CC & QQ).

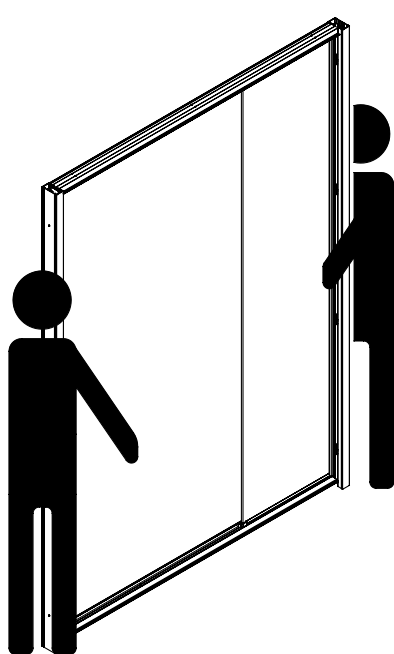
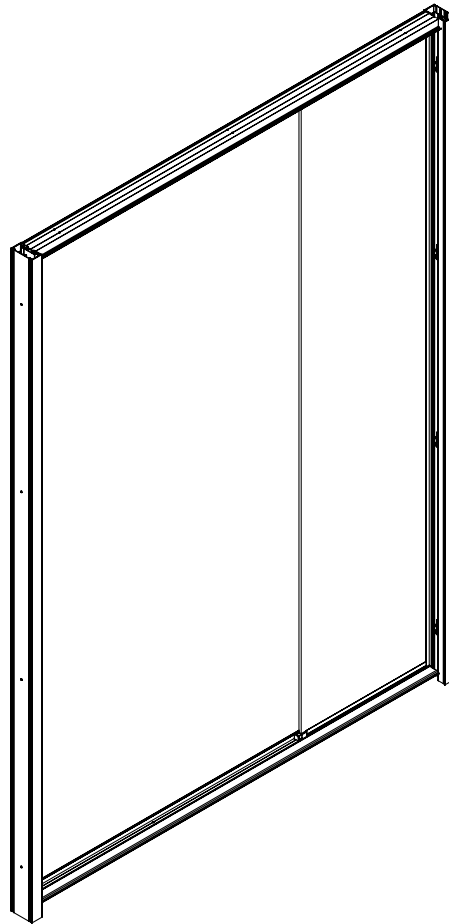
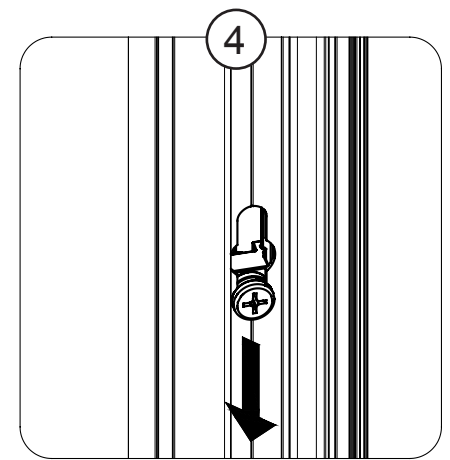
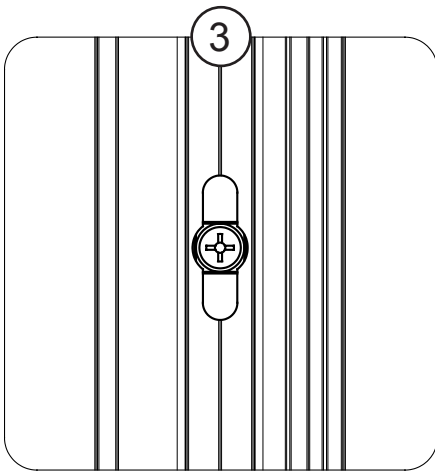
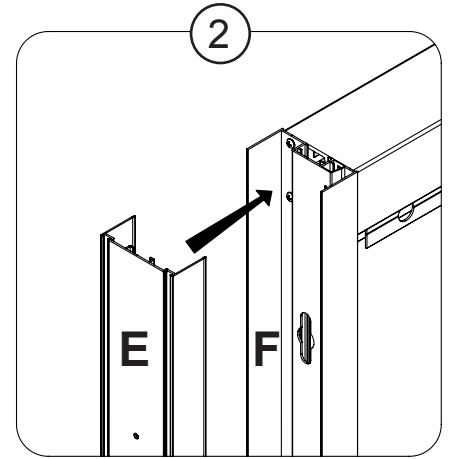
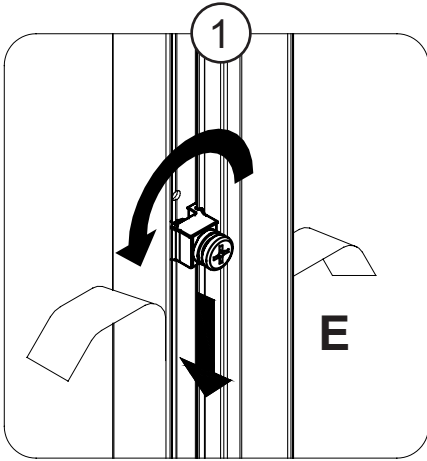


Helpful Hint
Use a ladder
to facilitate the
installation.

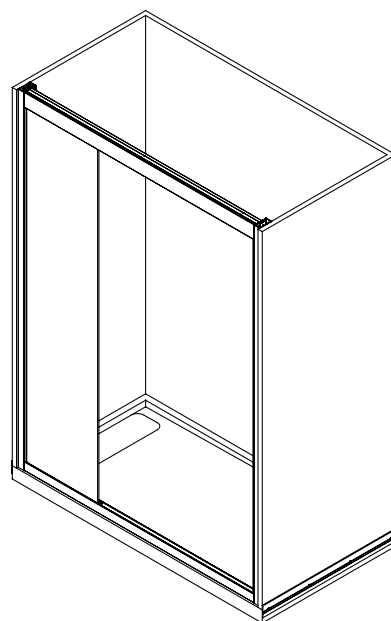


WALL TRACK INSTALLATION

1. Remove the protective film from the wall tracks (E), loose the plastic screws and put them at the bottom of their slot.
- 2-3. Place the wall tracks (E) on the tracks (F) by adjusting the position of the plastic screws.
4. Lock both tracks together by pushing the plastic screw downwards in the slots of the track (F).
5. Place the whole shower frame onto the base.



5



WALL TRACK INSTALLATION

1-2. Using the plastic screws on the wall track (E), adjust the level of the shower frame. Also, make sure it fits snugly between the 2 walls.

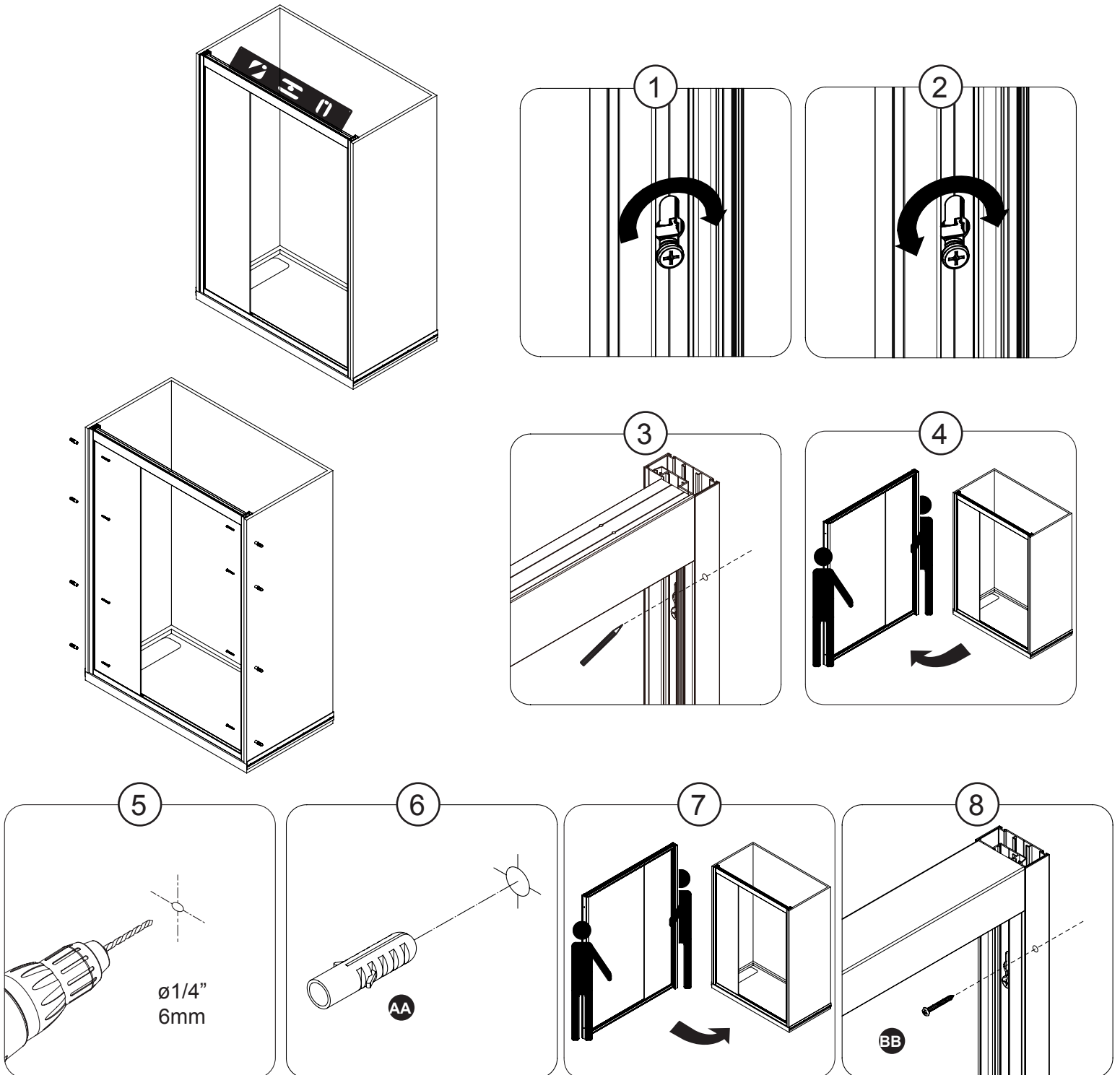
Note: A total of 8 plastic screws on the wall track (E) will help you adjust the level of the shower frame and make it snugly fit between the 2 walls.

3. Mark the position of the holes of the wall tracks (E) on the wall.

4-5. Remove the shower frame and drill guide holes with a 1/4"(6mm) drill bit.

6-7. Insert the wall anchors (AA) into the wall and put back the shower frame in place.

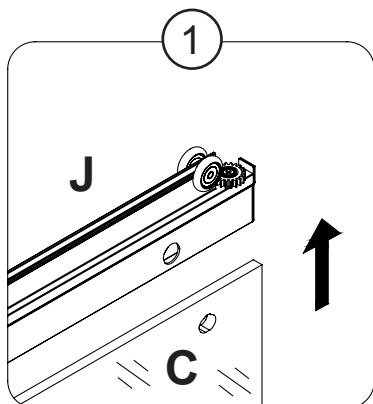
8. Replace the shower frame back on the base, and fix the shower frame onto the wall using screws (BB).



DOOR INSTALLATION

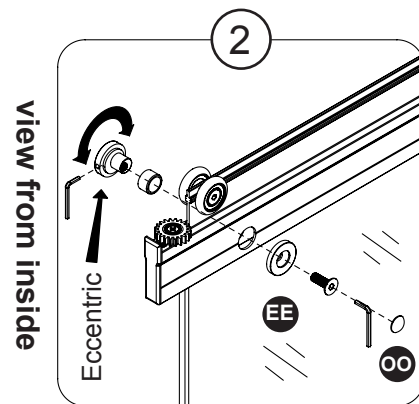
Note: 2 people are required for the following installation steps!

- 1-2. Install the center panel (C) on the rolling track (J) using glass brackets (EE) and caps (OO). Adjust the level of the glass panel using the eccentric mechanism of the brackets.
3. Place the bottom rolling track (L) on the bottom track (N).
- 4-5. Fix the bottom rolling track (L) on the bottom track (N) using bracket (FF) and cap (GG). Make sure the rollers of track (L) are in the passage of the bottom track (N).
6. Insert the vertical rubber strip (O) to the track (F).

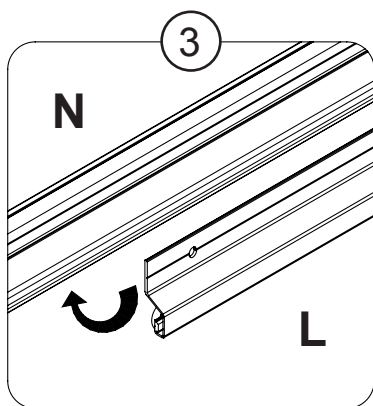


view from inside

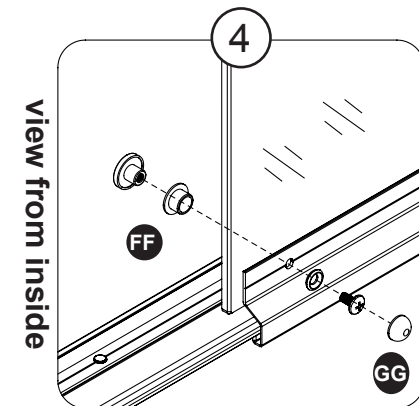
Helpful Hint
The center panel has an up & down direction: make sure the side with OVAL holes is UP!



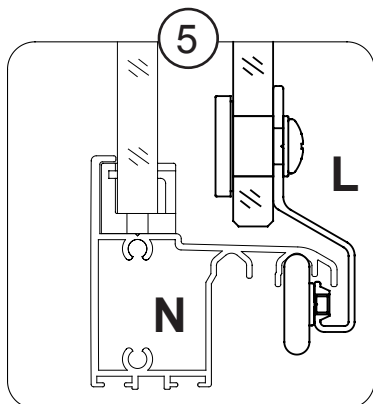
view from inside



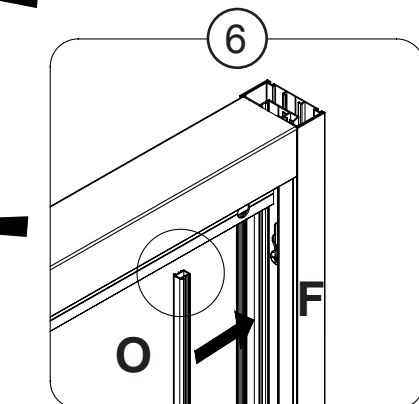
view from inside



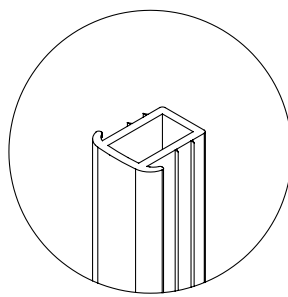
view from inside



view from inside

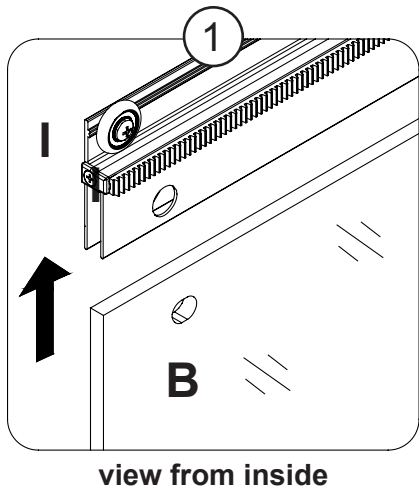


view from inside

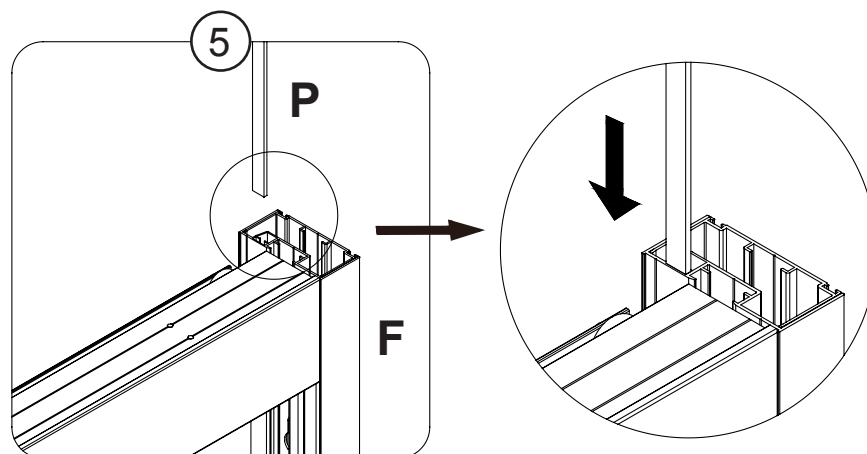
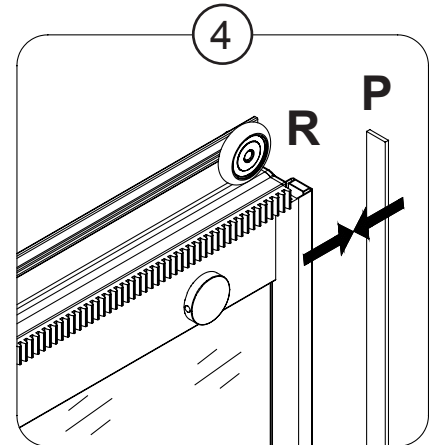
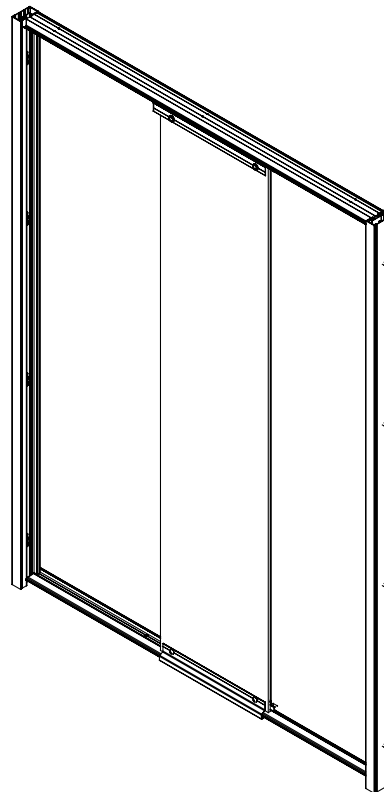
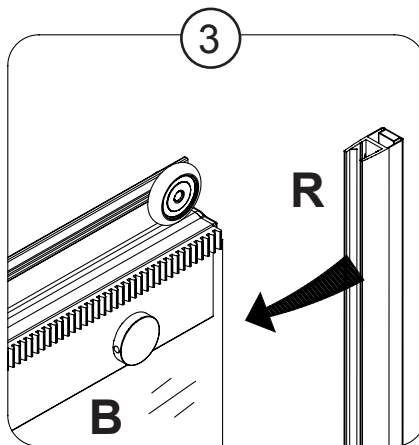
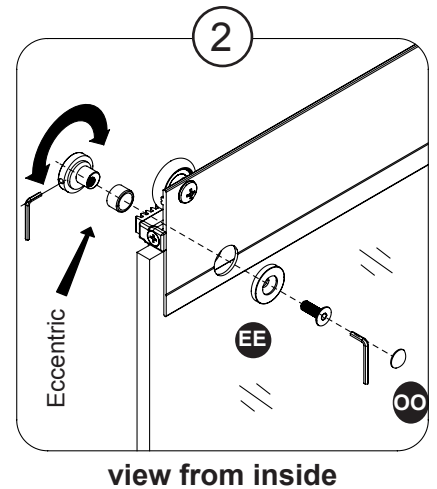


DOOR INSTALLATION

- 1-2. Install the door (B) on the door rolling track (I) using bracket (EE) and cap (OO). Adjust the level of the glass panel using the eccentric mechanism of the brackets.
3. Place the door magnetic track (R) on the door panel (B).
4. Find out which side of the magnetic strip (P) attracts the door's magnet (R).
5. Insert the magnetic strip (P) into the track (F). Make sure to insert it with the attracting side facing the door's magnet.



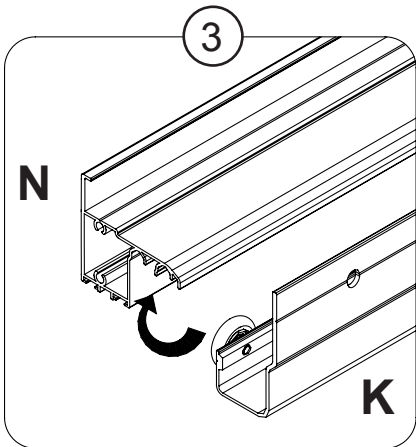
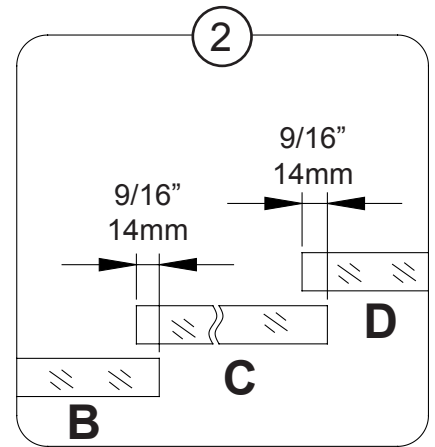
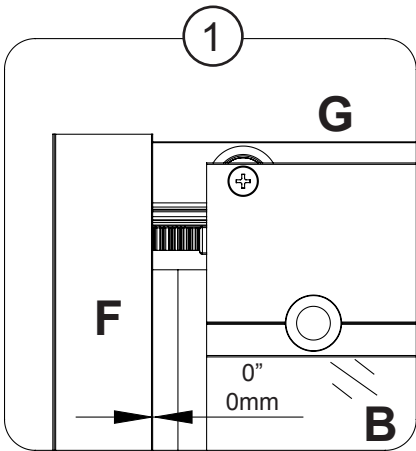
Helpful Hint
The door panel has an up & down direction: make sure the side with OVAL holes is UP!



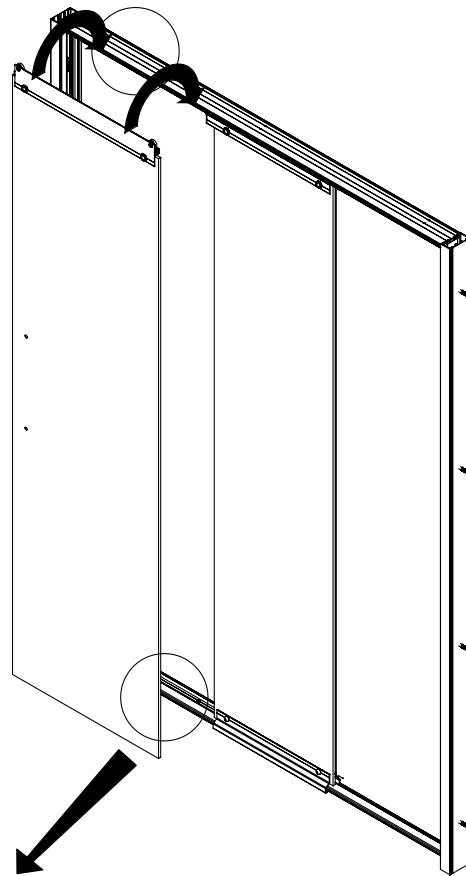
DOOR INSTALLATION

1-2. Place the door (B) onto the top track (G), make sure the door can be closed well and the distances between the panels (B & C & D) is approximately to 9/16" (14mm).

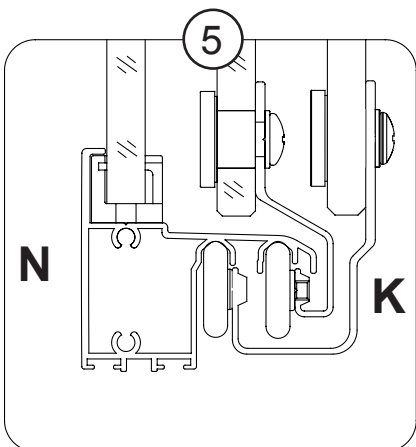
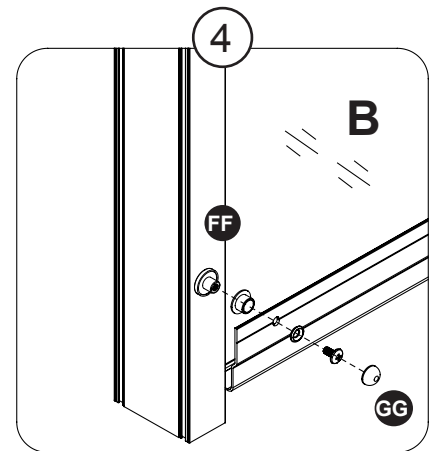
3-5. Install the door bottom rolling track (K) on the bottom track (N) using bracket (FF) and cap (GG). Make sure the rollers of track (K) are in the passage of the bottom track (N).



view from inside

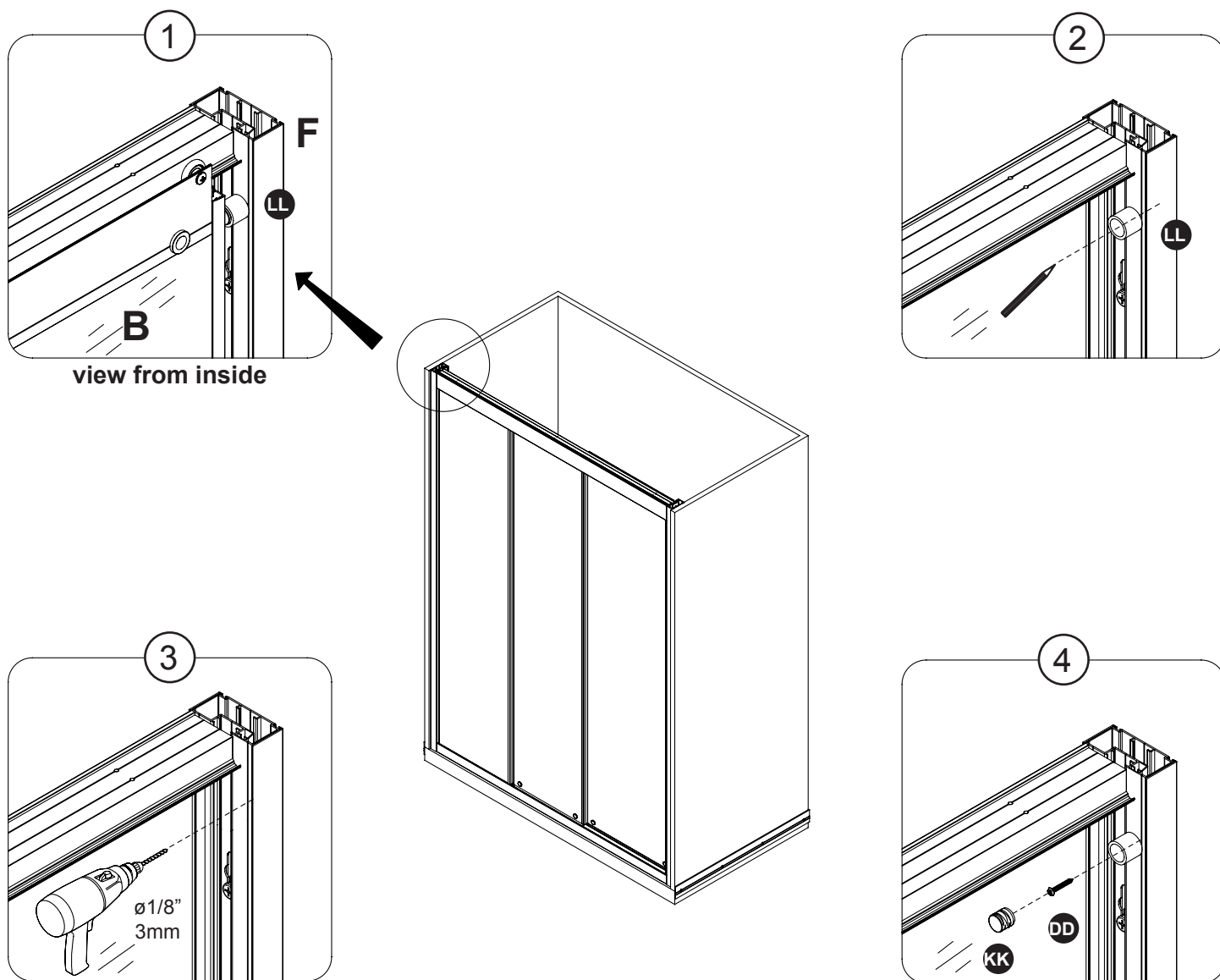


view from inside



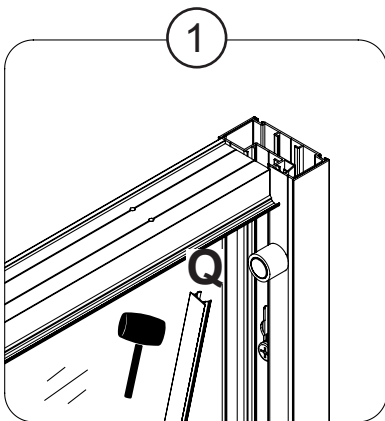
STOPPER AND STRIPS INSTALLATION

1. Place the stopper (LL) on the track (F) on the fixed panel side. Find the correct position by closing the door on the stopper. It should prevent the door from hitting the track, but should not hinder the opening and closing motion of the door.
- 2-3. Mark the position of the stopper (LL) and drill a guide holes with $\varnothing 1/8''$ (3mm) drill bit.
4. Install the stopper (LL) on the track (F) using screws (DD) and insert the block (KK).



STOPPER AND STRIPS INSTALLATION

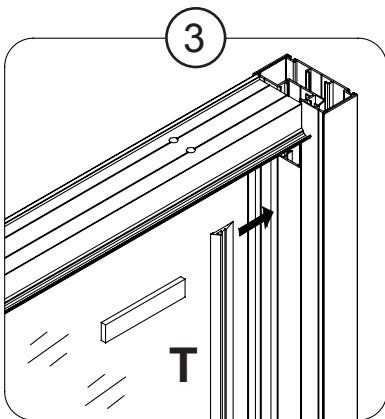
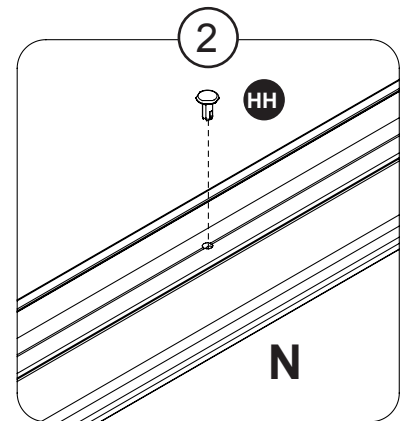
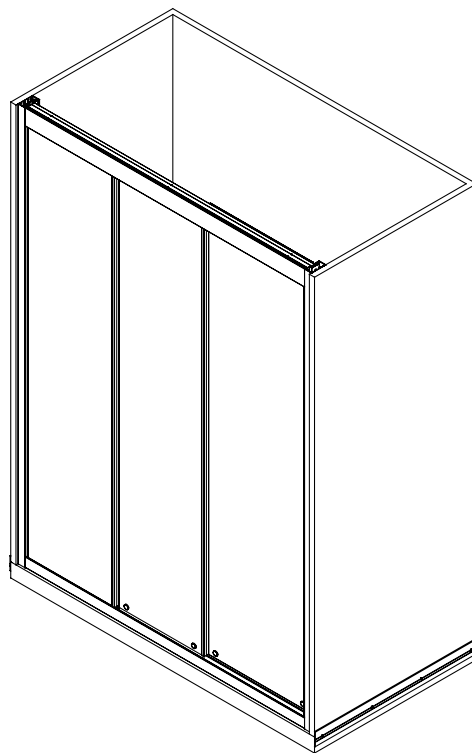
1. Place the covers (Q) on the tracks (F). Use a rubber mallet to make it easier.
2. Put the cap (HH) on the bottom track (N).
3. Place the gasket (T) between the fixed panel (D) and the track (F). Use a wood stick for help as it will fit tightly.
4. Install the top track cover (V) to the top track (G) using screws (PP).



view from inside

Helpful Hint

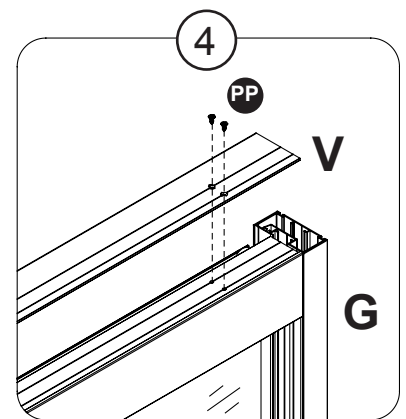
Use rubber mallet to push the covers from top to bottom.



view from inside

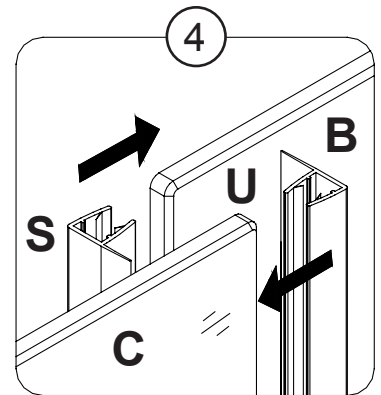
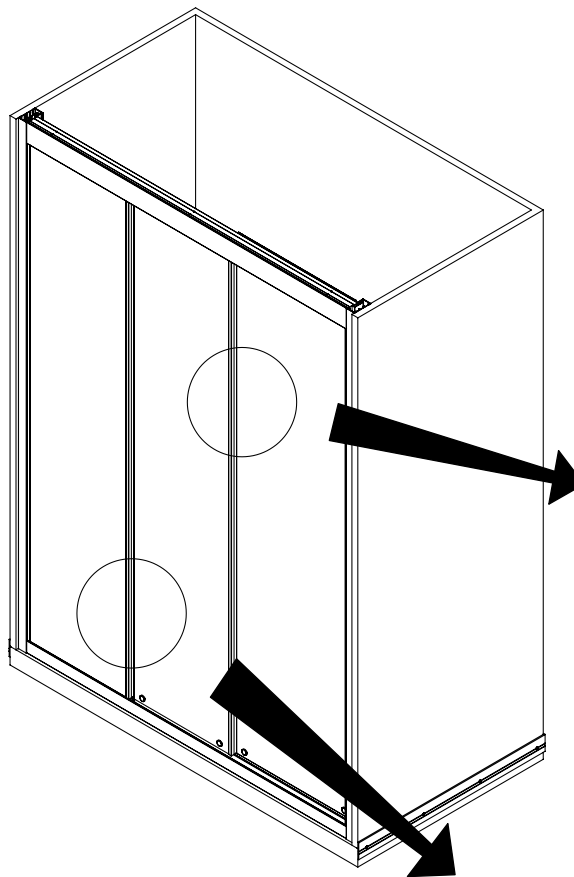
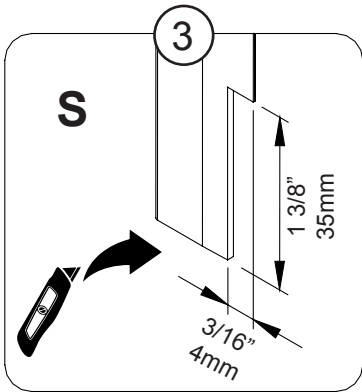
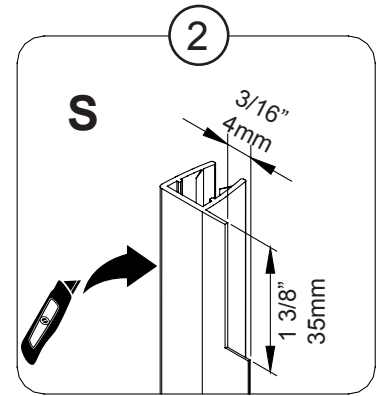
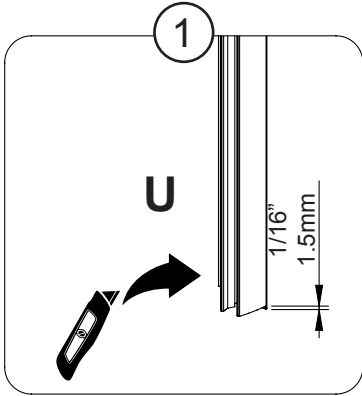
Helpful Hint

Use the corner of a wood stick to push the gasket inside, as the opening is tight.

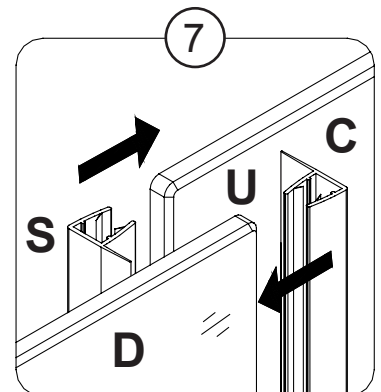
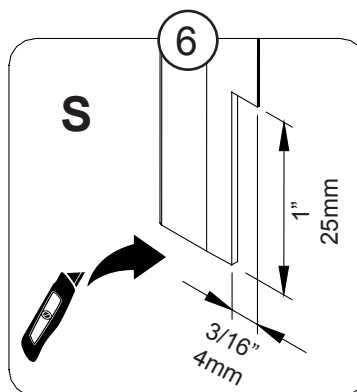
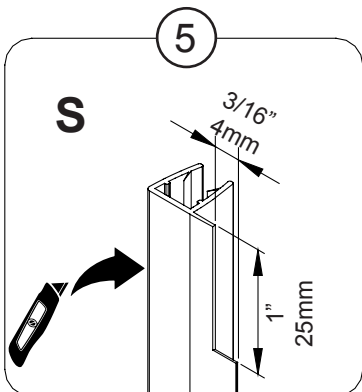


STOPPER AND STRIPS INSTALLATION

1. Cut the surplus part of the vertical rubber strip (U).
- 2-3. Cut the surplus part of the vertical rubber strip (S).
4. Place the vertical rubber strips (S & U) on the panels (B & C).
- 5-6. Cut the surplus part of the other vertical rubber strip (S).
7. Place the vertical rubber strips (S & U) on the panels (C & D).



view from outside



view from outside

HANDLE INSTALLATION & SEALING

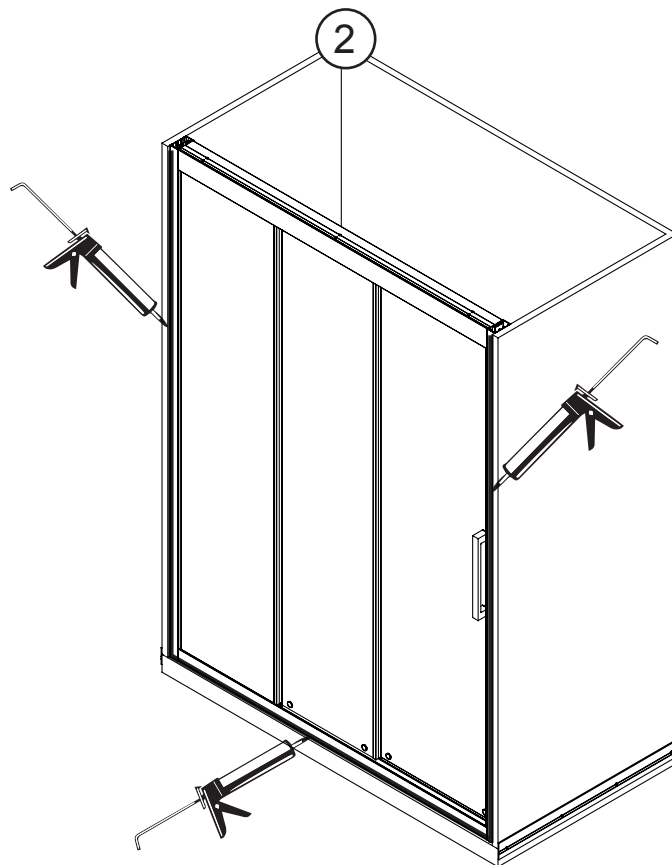
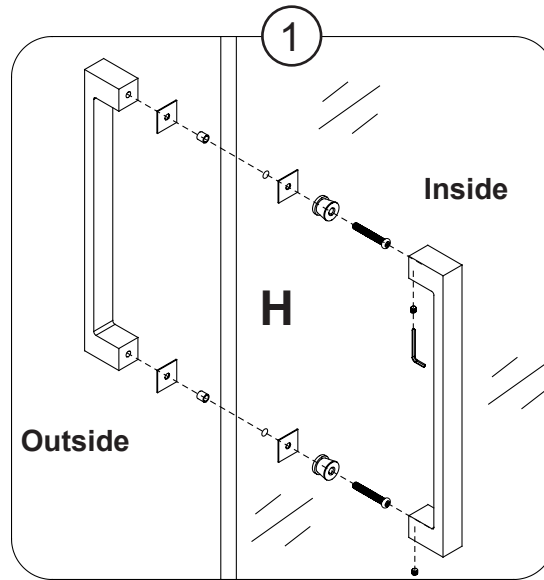
1. Install the door handle (H) using an Allen key.

2. Ensure that the door closes and opens smoothly, and that there is a tight connection between the side glass panels and the frame as well as the support bar.

Apply a clear silicone water sealant around the outside perimeter of any fixed shower components (horizontally between bottom of fixed side glass panel and the base, as well as vertically between the wall, glass frames, and any side glass panel).

Allow 24 hours for silicone to dry.

Improper application of silicone sealant may cause your shower to leak.



OVE Decors ULC

LIMITED Product Warranty

OVE is a distributor of the following Products:

- Shower Doors (warranty period 5 years).
- Acrylic Surfaces (warranty period 5 years against blistering, cracking or chipping in the acrylic surface).
- Acrylic Shell Structure (warranty period 5 years against loss of water through fiberglass laminate of the acrylic body).
- Shower Hardware (handles, hinges, rubber support clips, metal support bars and wall tracks) (warranty period 1 year against defects in materials or workmanship).

Limited Warranty: OVE warrants to the original retail purchaser that within a reasonable time after notification from purchaser, OVE will repair or replace the Product, or any part or component of the covered Product, distributed by OVE which is proven to the satisfaction of OVE to be defective in workmanship or materials, and which has failed during normal use and within the warranty period. This Limited Warranty does not apply to Products that have been damaged, or which fail, as a result of causes other than manufacturing defects (such as but not limited to improper installation; lack of or improper care or maintenance; exposure to elements including corrosive products, environments or water; alteration; abuse or misuse). This warranty does not cover damage to finishes. The warranty commences on the first date a Product is purchased by the customer. This warranty applies exclusively to products purchased and used in non-commercial applications.

Warranty Claim Procedure: To make a claim please call **1-866-839-2888** to trouble-shoot the issue and start the claim process, or email **info@ovedecors.com**. Products may be inspected or evaluated by OVE and any Product or component found to meet the above warranty criteria will be repaired or replaced at OVE's option. Replacement or repaired parts will be shipped at no cost to customer via ground freight only. Any expedited methods of shipments are customer's expense.

DISCLAIMER AND EXCLUSION OF WARRANTIES: This warranty is meant to be a complete and exclusive statement of the terms of all limited warranties offered by OVE.

To the fullest extent permitted by law, other than the express warranty set forth in this instrument there are NO WARRANTIES, EXPRESS OR IMPLIED, INCLUDING ANY IMPLIED WARRANTIES OF MERCHANTABILITY OR FITNESS FOR A PARTICULAR PURPOSE EXTENDED BY OVE.

This warranty gives you specific legal rights. You may also have rights, which may vary under applicable state, provinces, or national legislation, which cannot be disclaimed or modified by the above Disclaimer. Except as permitted, the Disclaimer is not intended to waive, modify, release or limit the applicability of preemptive state, province, or national legislation inconsistent with the terms of this Limited Warranty and Disclaimer. However, to the extent permitted by law, no implied warranties of merchantability or fitness are intended or extended hereunder. Notwithstanding the Disclaimer if any implied warranty is imposed by operation of law, to the extent permitted, the duration of such implied warranties is limited to the shorter of the term of the express warranty or the applicable statute of limitations.

The Products listed above are intended to be installed and used for personal, consumer residential use. Use of Products for any other purpose such as commercial purposes voids this warranty. The Limited Warranty is applicable only to the Products listed herein, and no warranty is extended to products not distributed by OVE. The warranty is applicable only to the first retail purchaser.

Transferability: This warranty is not transferrable.

LIMITATION AND EXCLUSION OF REMEDIES AND DAMAGES: OVE's sole responsibility under this Limited Warranty shall be to repair or replace, at its option, any defective Product or component. Purchaser agrees that this is the sole and exclusive remedy under this Limited Warranty. OVE will not be responsible for any incidental, consequential, special or indirect damages, including loss of use as a result of any manufacturing defect in a Product. OVE will not be responsible for labor, or any other fees associated with removal or installation of warranted parts. Some states, provinces, or national legislation do not allow the exclusion or limitation of incidental or consequential damages, so this limitation may not apply to you.

Product modification: OVE reserves the right to change, modify or improve the Products without obligation to incorporate such changes in Products previously sold or installed.

Authority and Modification: The retail seller is not the agent of OVE and is not authorized to vary or modify the terms of the Limited Warranty. In addition, the retail seller cannot bind OVE or make any representations or promises about the Product that are binding on OVE.

CARE AND MAINTENANCE

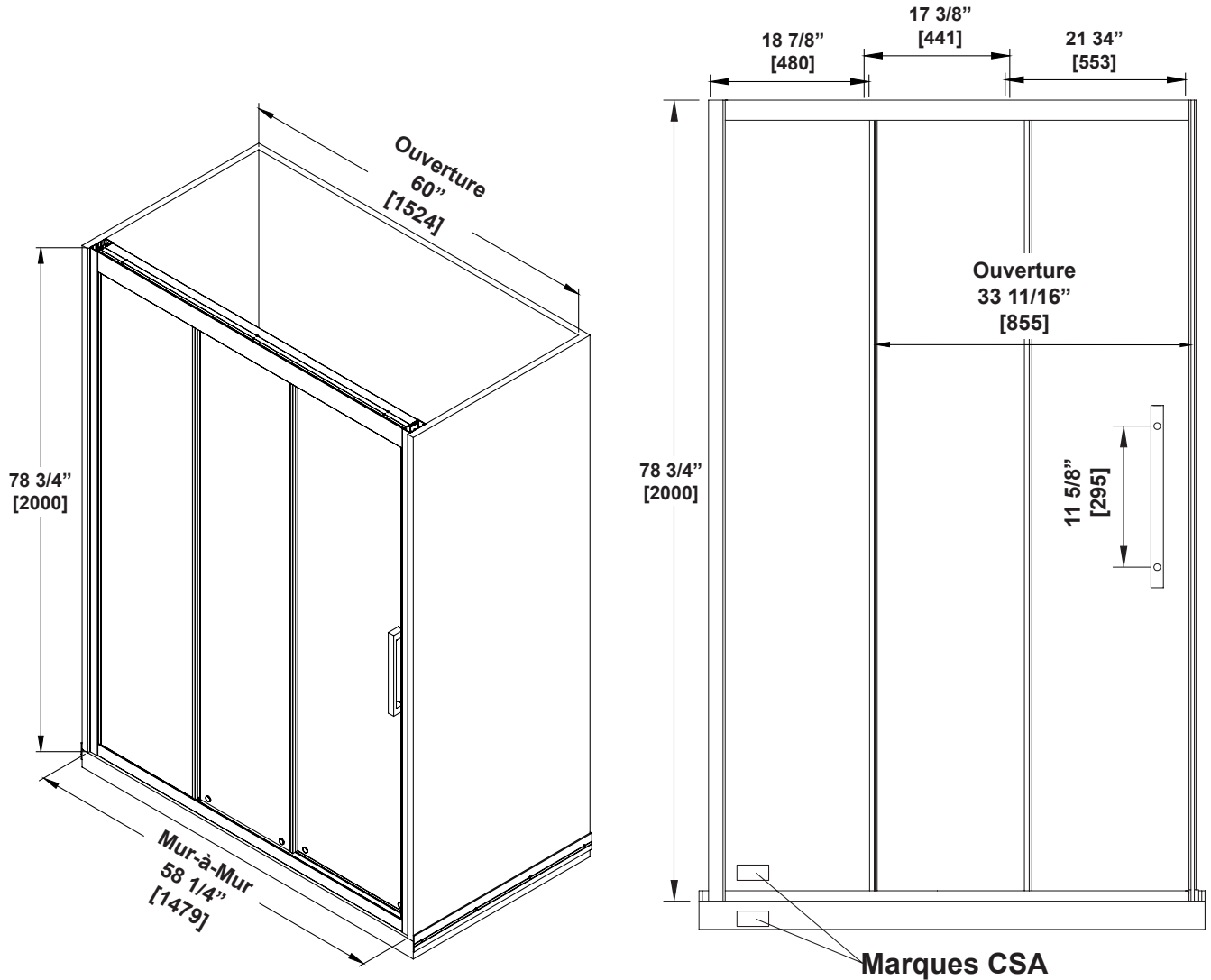
For the daily maintenance, use a wet cloth and a soft liquid cleaner.

Never use abrasive cleaners containing some acetone, chlorine or strong bleach, scrapers, metallic brushes, nor other objects or the products which can graze or tarnish surfaces.

Use a ratchet to strongly tighten any bolts used to support the fixed glass panels or doors panel (support bolts can withstand up to 250 lbf*in of torque).

Check these bolts every 4 months and re-tighten them if necessary.

Mesures: pouces [millimètres]



Un guide d'installation video est disponible sur notre chaîne Youtube.

<https://youtu.be/HwjTMSGevVM>

Date de l'achat : _____ Numéro de référence du produit : _____



Questions, problèmes ou pièces manquantes?

Avant de retourner le produit à votre détaillant, contactez notre service à la clientèle au 1-866-839-2888, du lundi au vendredi de 9 h 00 à 17 h 00 HNE.

INFORMATION SUR LA SÉCURITÉ

AVERTISSEMENT

Veillez lire attentivement les importantes consignes de sécurité suivantes avant la manutention et l'installation de cette douche. La manipulation de ce produit présente un risque de blessure grave. Pour minimiser ces risques, veuillez prendre note de ce qui suit:

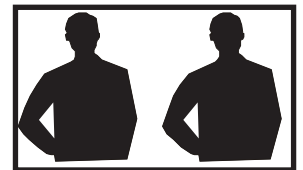
- Toujours porter des lunettes et des gants de sécurité pendant la manutention.
- Toujours lire et suivre toutes les étapes indiquées dans les instructions d'installation.
- Avant l'installation, inspecter tout le contenu et le verre pour détecter toute forme de dommages.
- Pendant l'installation, faire très attention lorsque vous manipulez les pièces en verre, car le verre trempé peut se fracasser s'il entre en contact avec une surface dure.
- Manipulez le verre trempé avec précaution sinon il pourrait se briser en petits morceaux (jamais en fragments pointus).
- Prendre toujours toutes les précautions nécessaires pour que, pendant l'installation ou après, les outils que vous utilisez n'entrent pas en contact avec le verre trempé.
- Ne pas couper ni modifier le verre trempé, car il pourrait se briser en éclat s'il est coupé.
- Sortir le produit de son emballage avec soin et le conserver jusqu'à ce que l'installation soit complétée.
- Inspectez toutes les pièces. S'il y a des dommages sur le produit avant l'installation, veuillez communiquer avec le service à la clientèle au numéro indiqué dans ce guide.
- Installez la douche sur un plancher au niveau et capable de supporter le produit et son utilisateur.
- Veuillez consulter le code du bâtiment et les normes de conformité avant l'installation du produit.
- Après l'installation, et périodiquement, vérifier l'assemblage et la finition des pièces en verre, pour vous assurer qu'aucun élément ne s'est desserré depuis l'installation.
- Conserver le présent manuel d'instruction pour consultation future.

AVIS

- Toute modification ou altération apportée aux indications données dans le présent manuel d'instructions annule toute garantie associée à ce produit.
- Le distributeur n'est pas responsable pour les dommages sur le produit ou sur la personne causés par une installation inadéquate. Si vous ne tenez pas compte des indications du manuel d'instruction, vous annulez votre garantie et vous vous exposez à des dommages causés par les fuites d'eau.
- Pour de plus amples renseignements sur l'installation du produit ou si vous avez des questions, veuillez consulter le site www.ovedecors.com.

PRÉPARATION

2 personnes sont requises pour installer le produit correctement et sécuritairement.



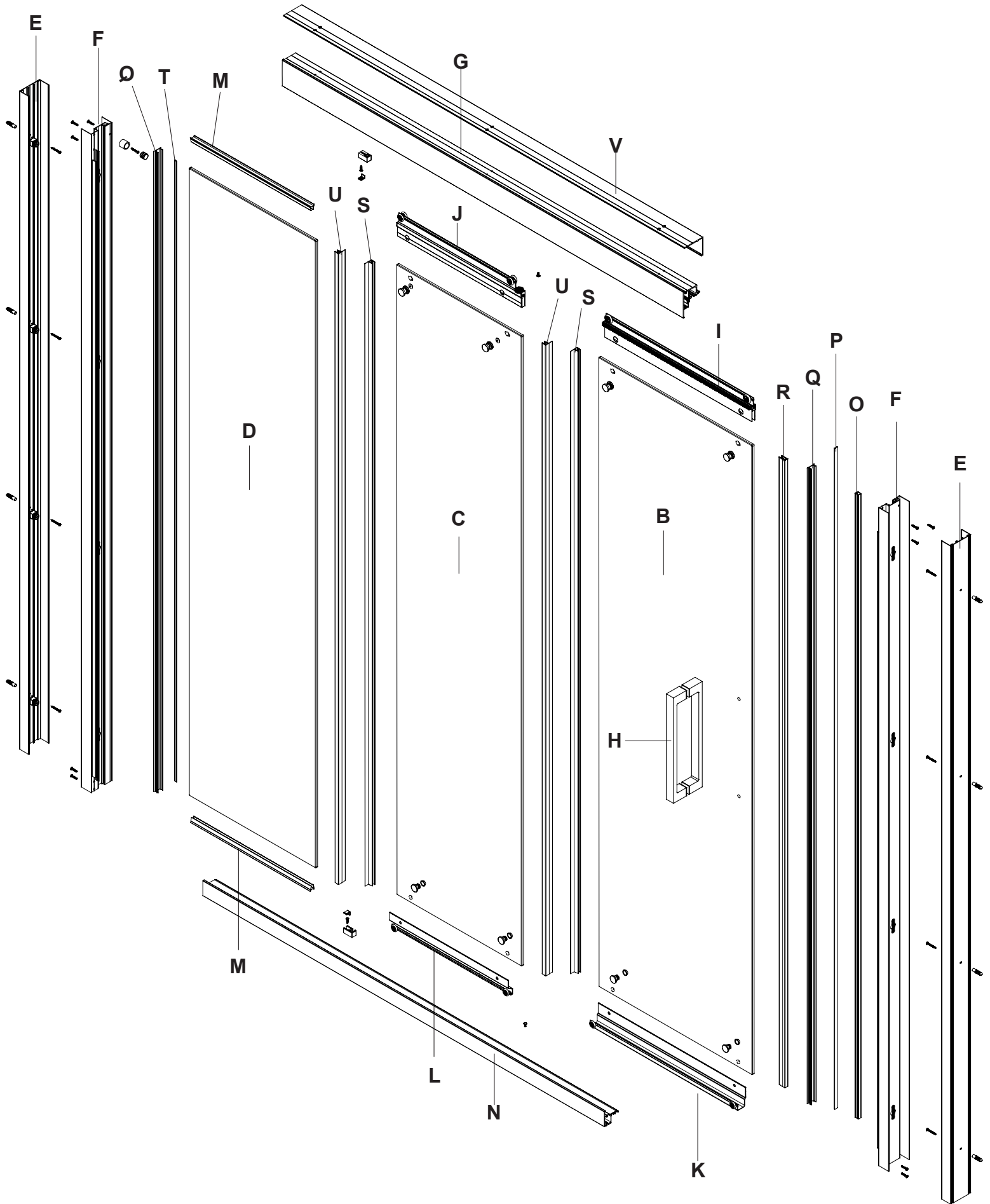
Avant de commencer l'installation du produit, soyez assuré d'avoir toutes les pièces. Comparez les pièces avec les listes fournies. S'il y a des pièces manquantes ou endommagées, ne tentez pas d'assembler le produit.

Temps de montage estimé: douche (120 min).

TABLE DES MATIÈRES

CONTENU DE L'EMBALLAGE	27
QUINCAILLERIE FOURNIE	28
OUTILS REQUIS	28
CETTE DOUCHE EST RÉVERSIBLE	29
MESURES MUR À MUR.....	29
GUIDE D'INSTALLATION DE LA BASE (OPTIONNEL)	30
INSTALLATION DU PANNEAU FIXE.....	31
INSTALLATION DU RAIL SUPÉRIEUR.....	33
INSTALLATION DU CHÂSSIS.....	34
INSTALLATION DU RAIL MRAUX.....	35
INSTALLATION DE LA PORTE.....	37
INSTALLATION DE LA BUTÉE ET DES JOINTS D'ÉTANCHÉITÉ.....	40
INSTALLATION DE LA POIGNÉE ET SCELLAGE	43
GARANTIE LIMITÉE DU PRODUIT.....	44
TRAITEMENT ET ENTRETIEN.....	44

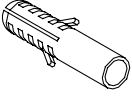
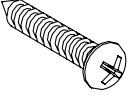
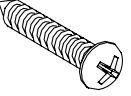
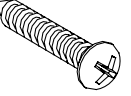
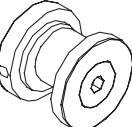

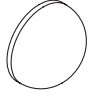
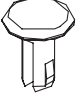
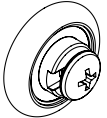
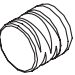

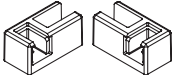
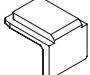

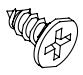
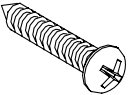
CONTENU DE L'EMBALLAGE






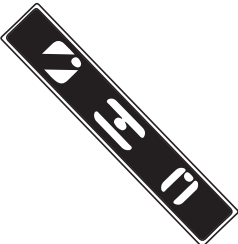

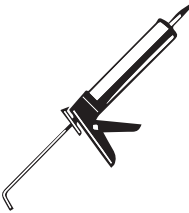


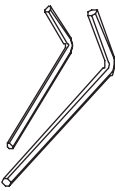

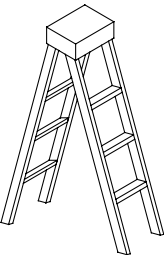
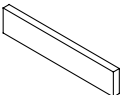
CONTENU DE L'EMBALLAGE

# DE PIÈCE	DESCRIPTION	QUANTITÉ	CODE
B	Panneau de la porte	1	99SGD3111-WM
C	Panneau central	1	99SG31010-WM
D	Panneau fixe	1	99SG31009-WM
E	Rail muraux	2	99STR3114-WM
F	Châssis	2	99STR3123-WM
G	Rail supérieur	1	99SGS0039-WM
H	Poignée de la porte	1	99SHA3108-WM
I	Rail coulissant de la porte	1	99SWE0037-WM
J	Rail coulissant pour panneau de verre	1	99SWE0038-WM
K	Rail coulissant pour le bas de la porte	1	99SWE3119-WM
L	Rail coulissant pour le bas du panneau de verre	1	99SWE3120-WM
M	Joints d'étanchéité horizontaux	2	99SRU0076
N	Rail inférieur	1	99STR3116-WM
O	Joint d'étanchéité vertical	1	99SRU0075
P	Rail magnétique	1	99SRU0070
Q	Joint d'aluminium	2	99STR3117-WM
R	Rail magnétique pour la porte	1	99SRU0071
S	Bande de caoutchouc (Long)	2	99SRU0072
T	Joint d'étanchéité	1	99SRU0073
U	Bande de caoutchouc (court)	2	99SRU0074
V	Couvert du rail supérieur	1	99STR3124-WM
W	Quincaillerie fournie	1	99SHW0126-WM

QUINCAILLERIE FOURNIE

AA	BB	CC	DD	EE	FF	GG	HH
							
Ancre mural ø6x30mm 8+2	Vis ST4x35mm 8+2	Vis ST4x20mm 8+2	Vis ST4x12mm 3+1	Raccord du haut 4x	Raccord du haut 4x	Capuchon du bas 4x	Capuchon 2x
II	KK	LL	MM	NN	OO	PP	QQ
							
Table de roulement 2 extra	Ancre 1x	Butée 1x	Supports pour verre 1+1	Capuchon du support 2x	Capuchon du haut 4x	Vis ST4x10mm 6+2	Vis ST4x30mm 2+1

OUTILS REQUIS

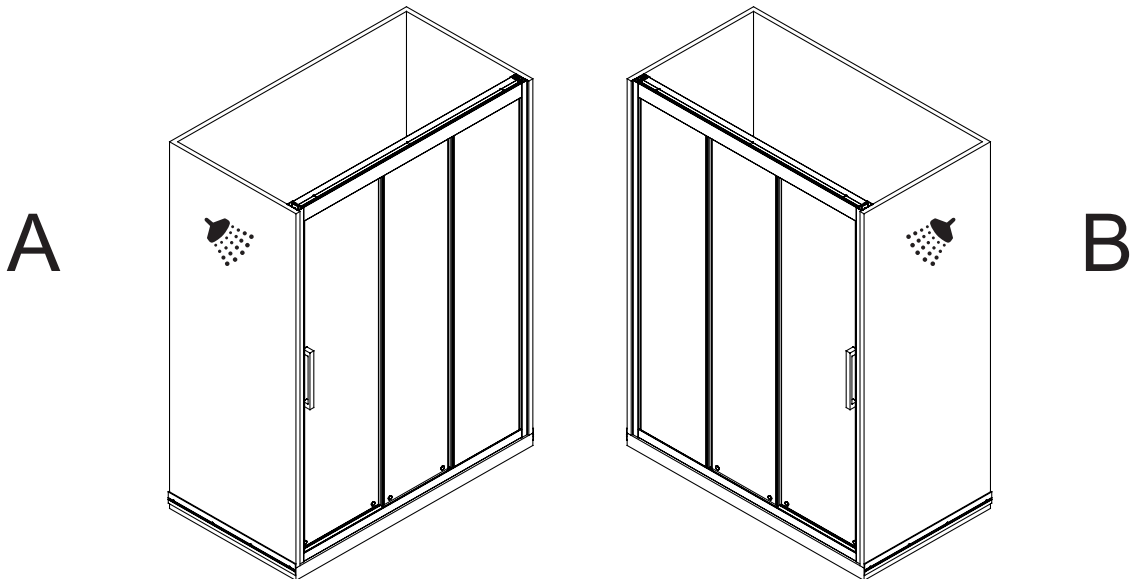
			
Crayon	Tournevis	Perceuse avec foret à ceramique ø1/8"(3mm) & ø1/4"(6mm)	Niveau
			
Ruban à mesurer	Silicone	Maillet en caoutchouc	Exacto
			
Lunettes de sécurité	Clé Allen 2mm & 2.5mm & 3mm	Clé à Rochet	Échelle
			
			Tige de bois

CETTE DOUCHE EST RÉVERSIBLE

- Utilisez ces instructions pour une ouverture de la porte de droite à gauche (illustration B).
- Pour une installation de gauche à droite (illustration A), suivez ces mêmes instructions mais permutez l'emplacement des panneaux: effet miroir.

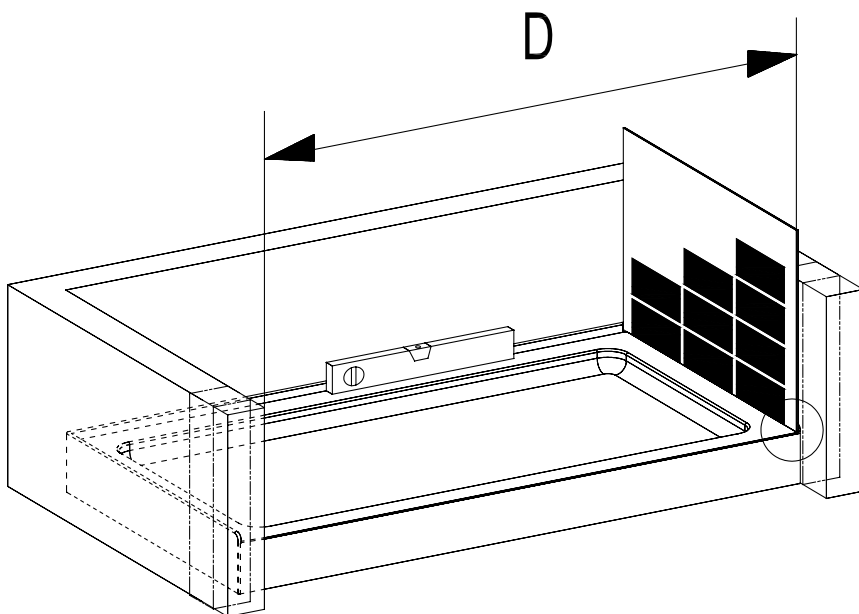


Installez le pommeau de douche du côté de la porte. Cela réduira le risque de fuites d'eau.



MESURES MUR À MUR

- Mesurez l'épaisseur de vos tuiles sur chacun des côtés avant d'installer les rails muraux. Une tuile plus épaisse limitera l'espace requis pour installer votre douche.
- Assurez vous d'avoir une distance tuile à tuile entre 1479mm (58 1/4 po) min. et 1498mm (59 po) max. (voir image).



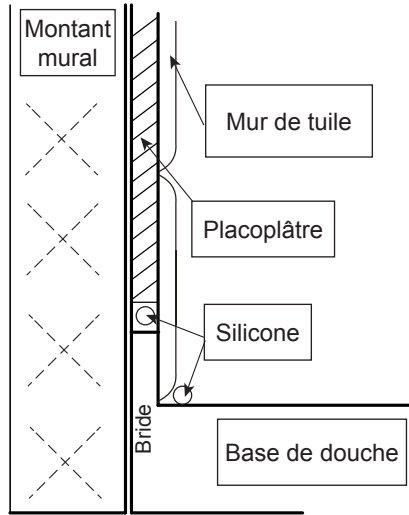
Assurez vous d'avoir une distance (D) de la tuile droite à la tuile gauche de:

D Min: 1479mm (58 1/4 po)

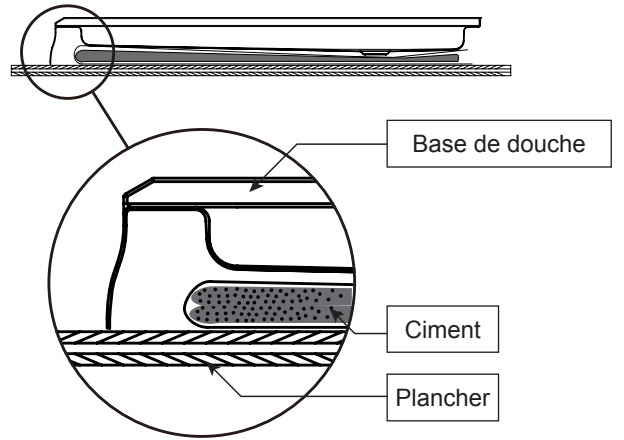
D Max: 1498mm (59 po)

GUIDE D'INSTALLATION DE LA BASE (OPTIONNEL)

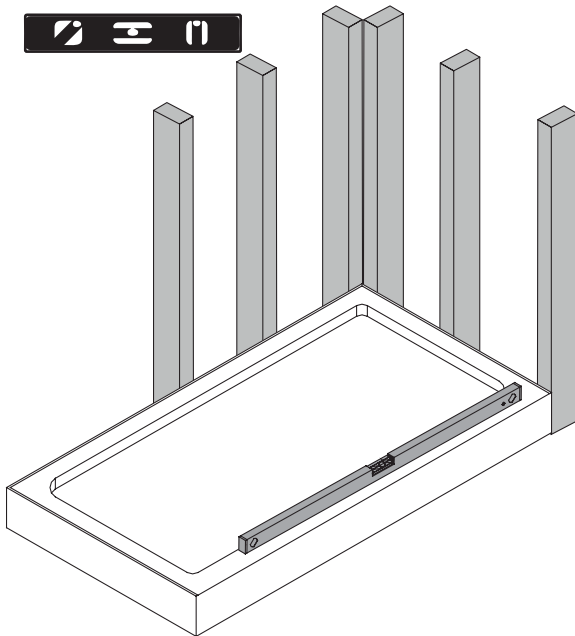
1



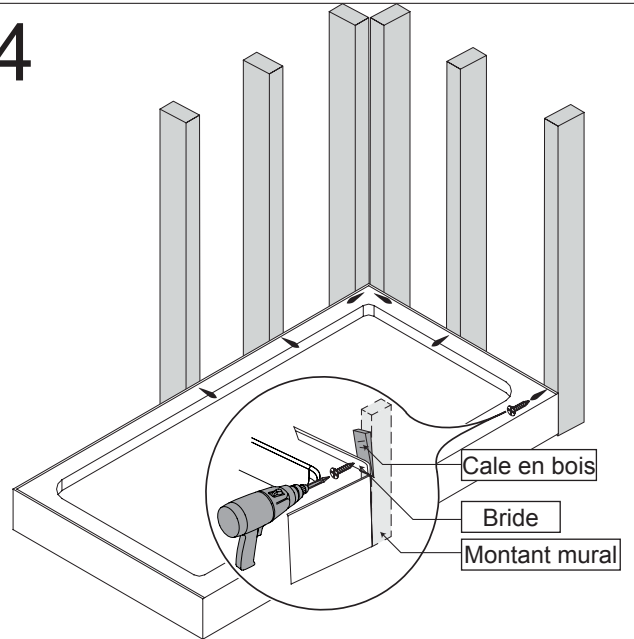
2



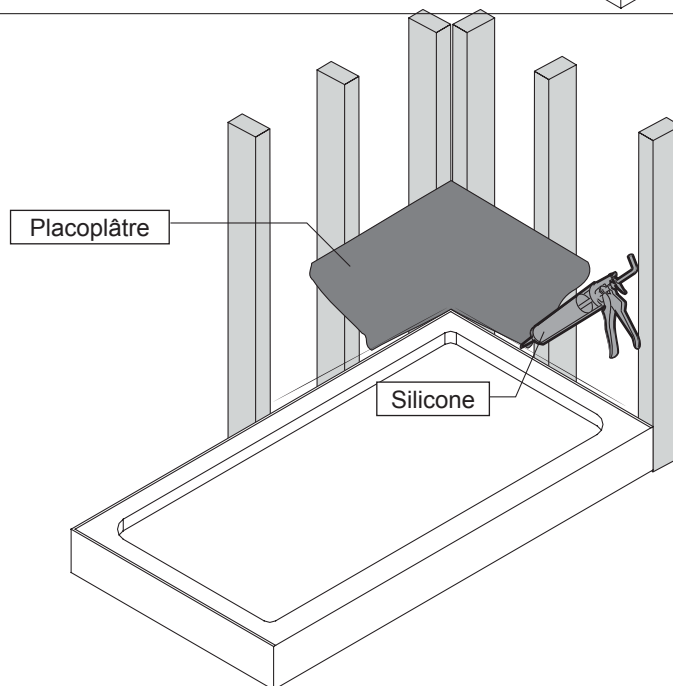
3



4



5

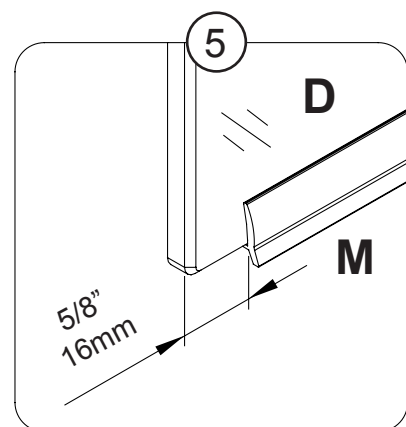
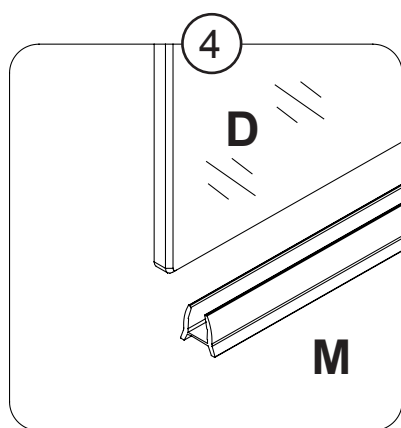
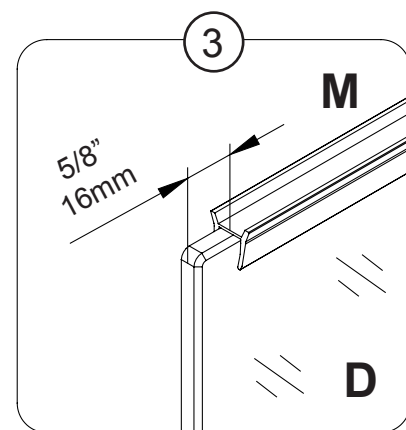
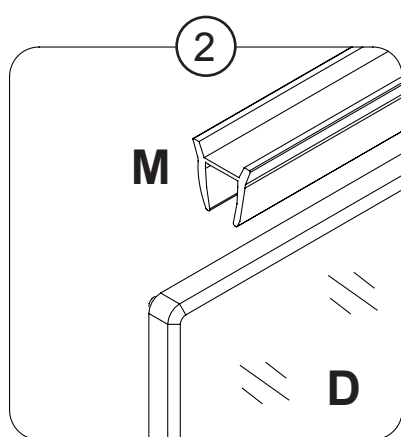
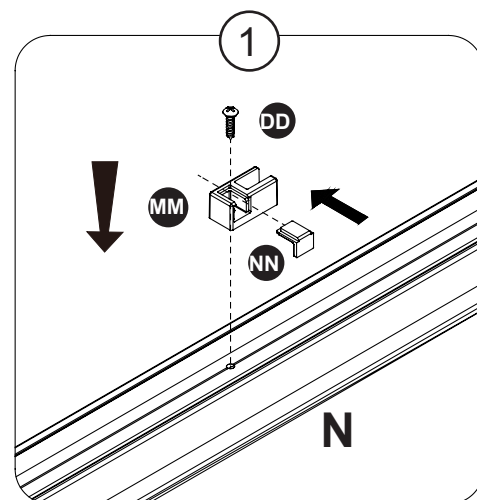
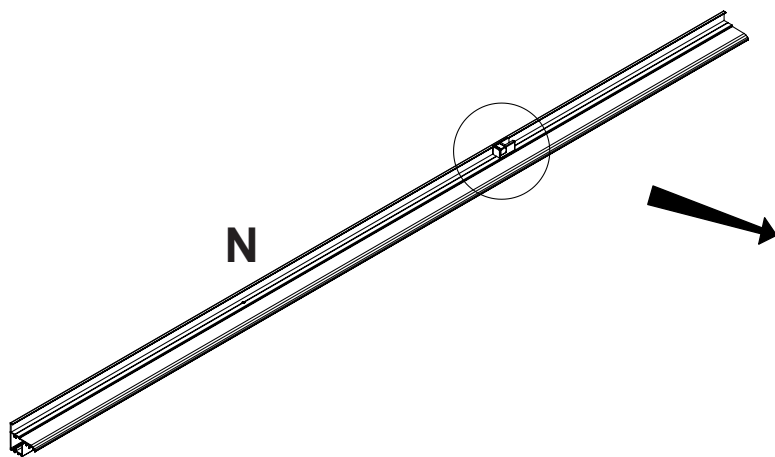


INSTALLATION DU PANNEAU FIXE

1. Installez le support (MM) et le capuchon sur le rail (N) avec le tournevis (NN).

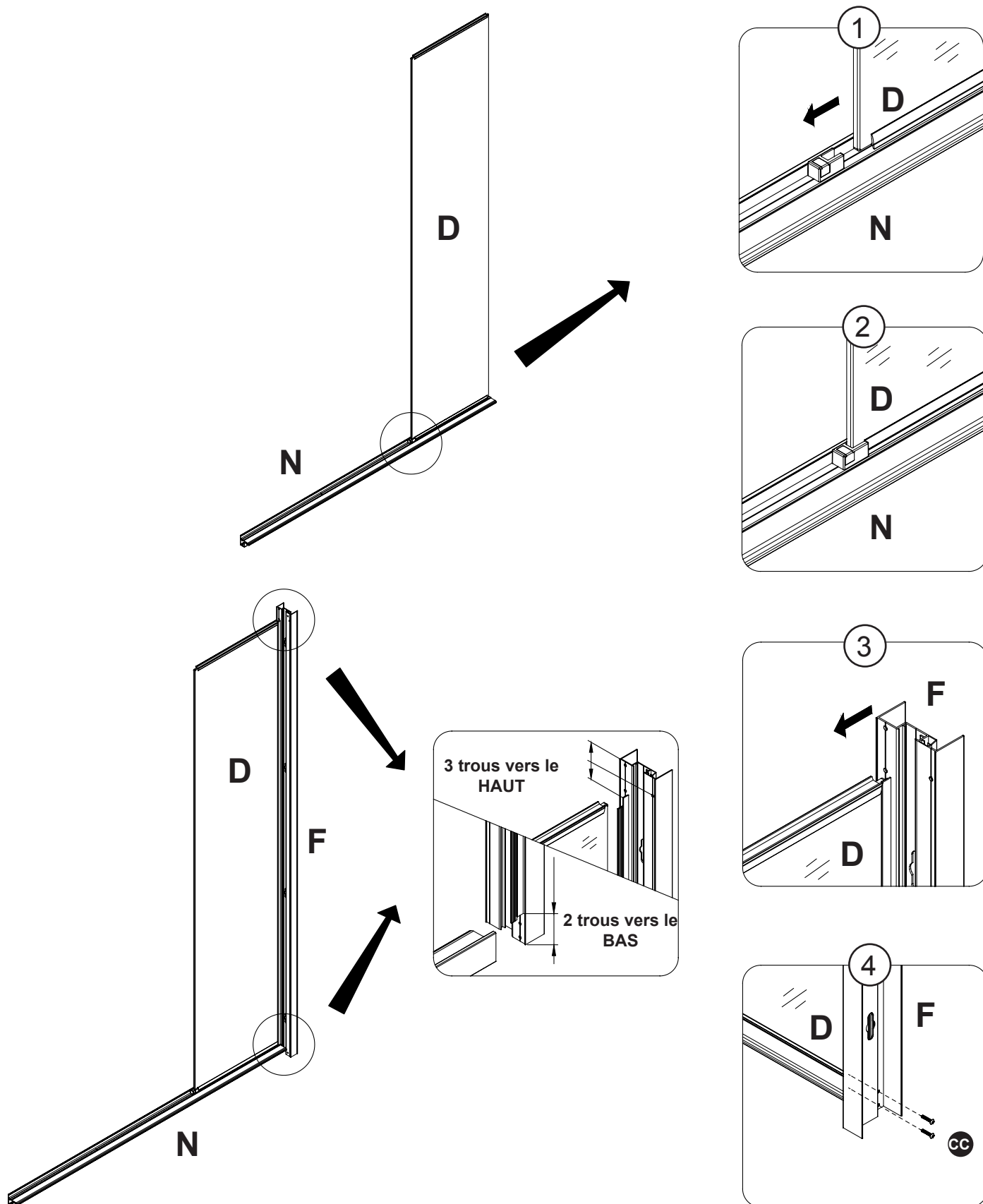
2-3. Placez le joint d'étanchéité horizontal (M) sur le haut du panneau fixe (D).

4-5. Placez le joint d'étanchéité horizontal (M) sur le bas du panneau fixe (D).



INSTALLATION DU PANNEAU FIXE

- 1-2. Placez le panneau fixe (D) sur le rail inférieur (N).
3. Placez le châssis (F) sur le panneau fixe (D).
4. Sécurisez le châssis (F) avec les vis (CC).

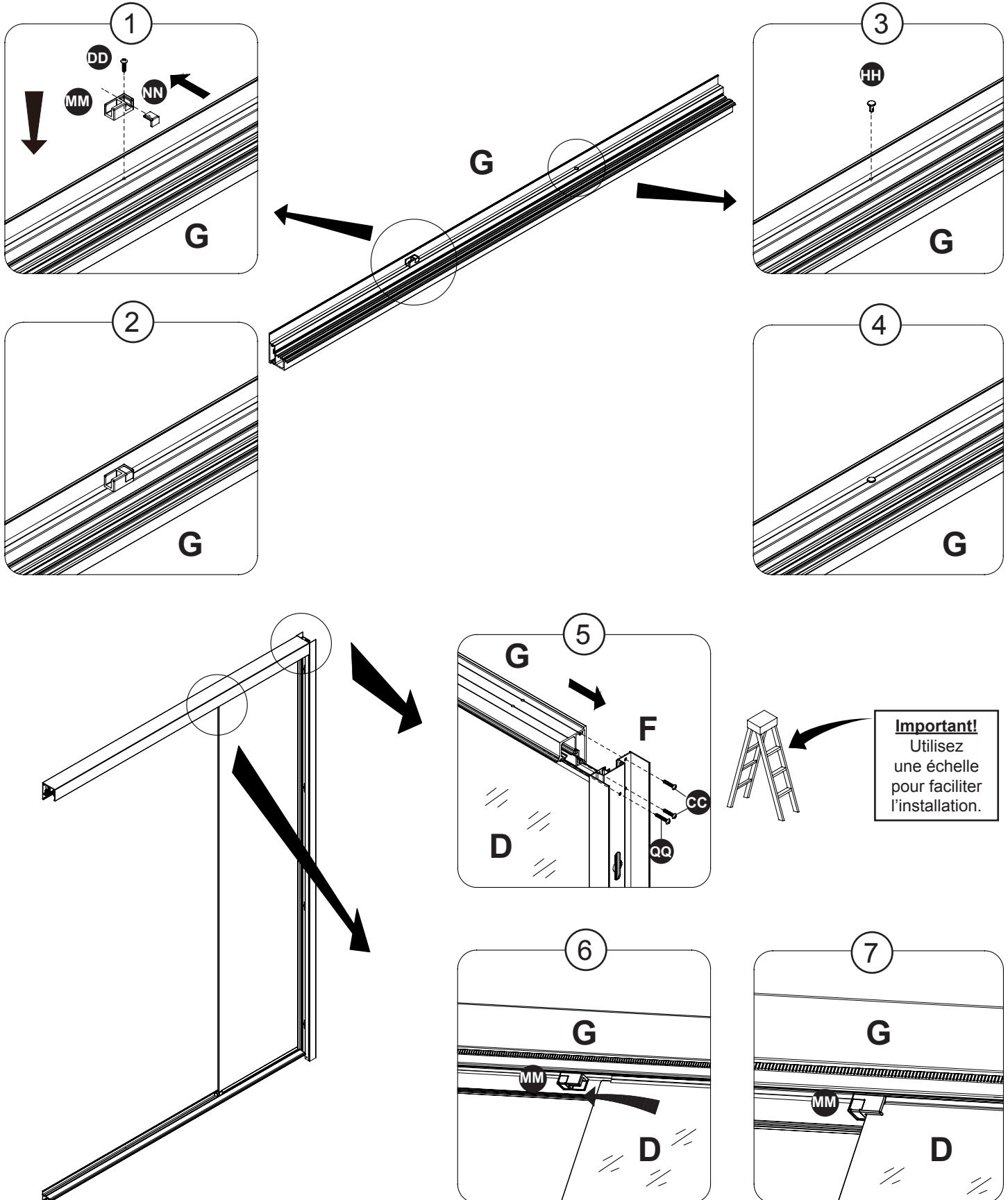


INSTALLATION DU RAIL SUPÉRIEUR

1-2. Installez le support (MM) et le capuchon (NN) sur le rail supérieur (G) avec les vis (DD).

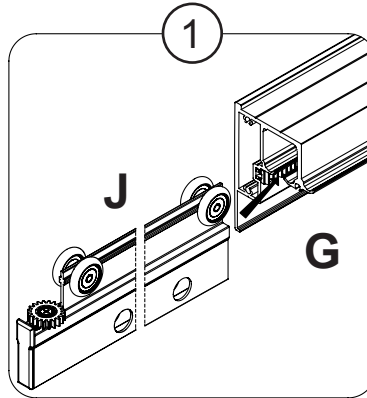
3-4. Placez le capuchon (HH) sur le rail supérieur (G).

5-7. Placez le rail supérieur (G) sur le panneau fixe (D) et sécurisez le châssis (F) en utilisant les vis (CC & QQ).

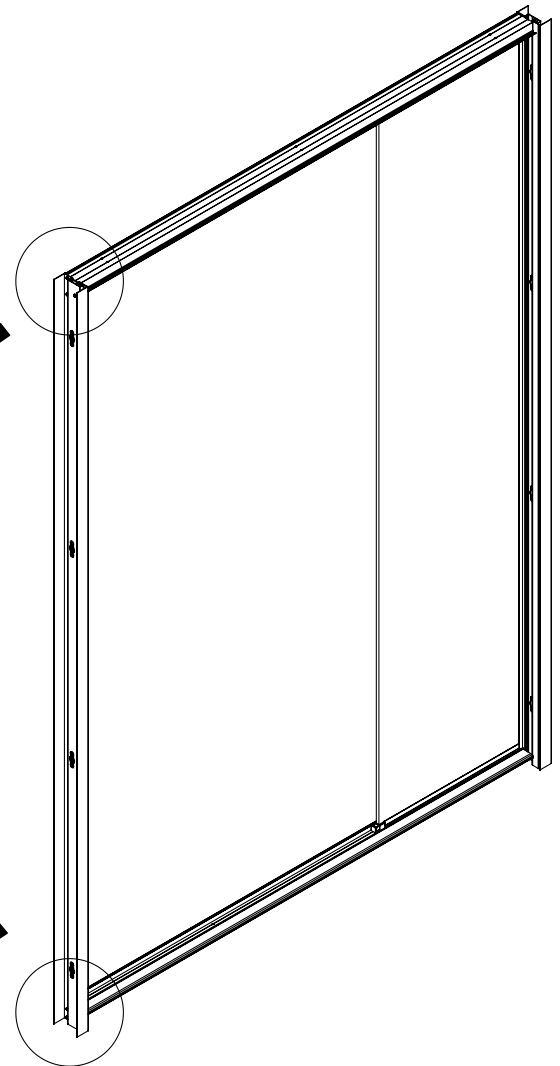
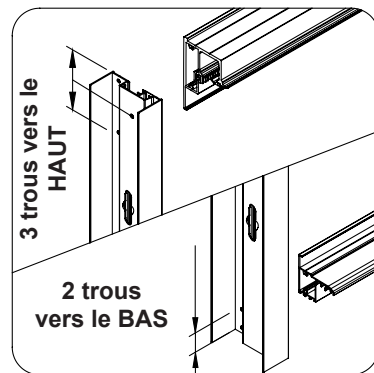
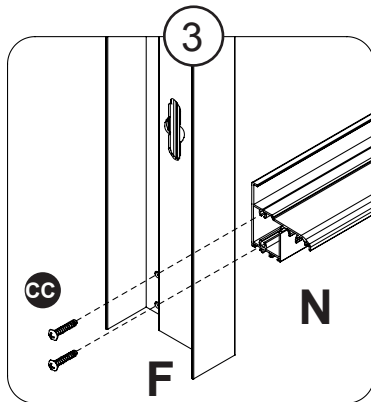
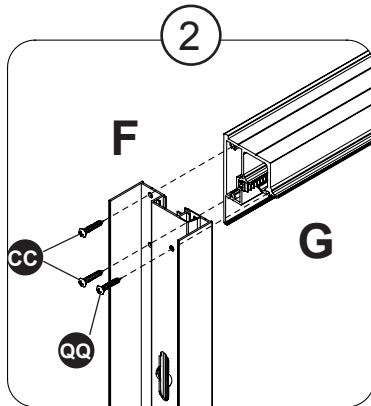


INSTALLATION DU CHÂSSIS

1. Glissez le rail coulissant pour panneau de verre (J) dans le rail supérieur (G).
- 2-3. Installez le châssis (F) sur le rail supérieur (G) et le rail inférieur (N) avec les vis (CC & QQ).

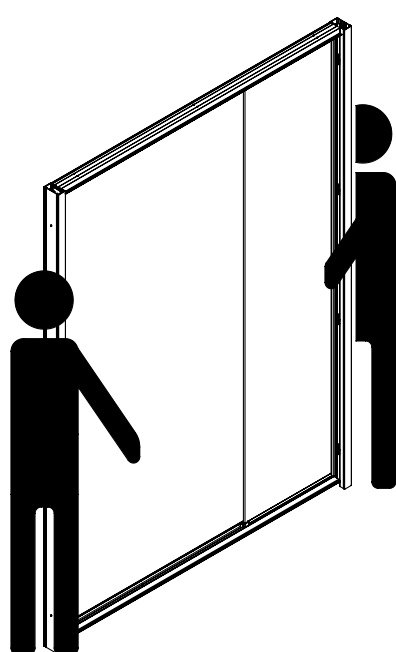
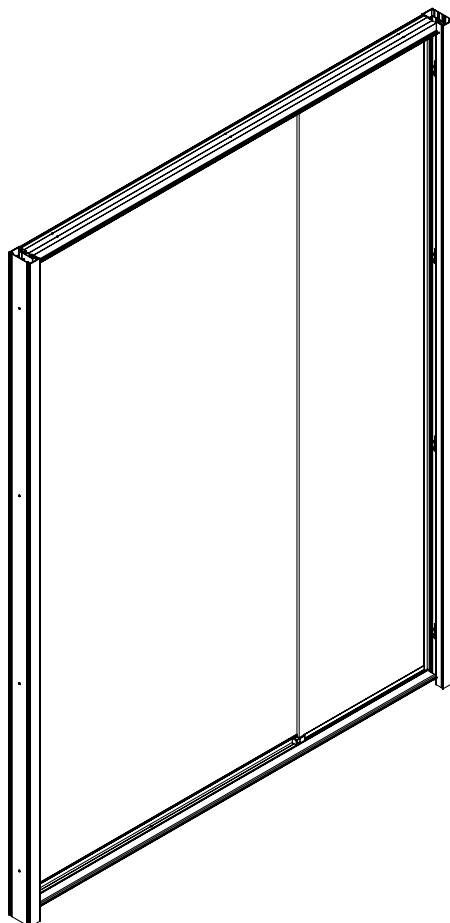
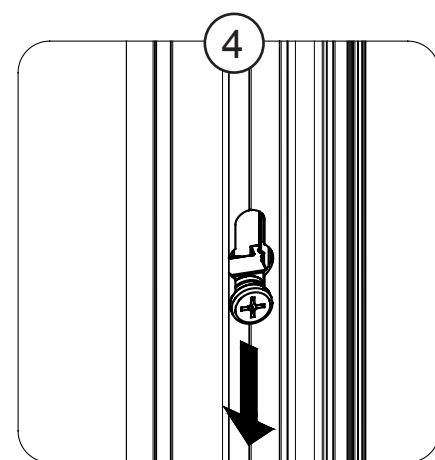
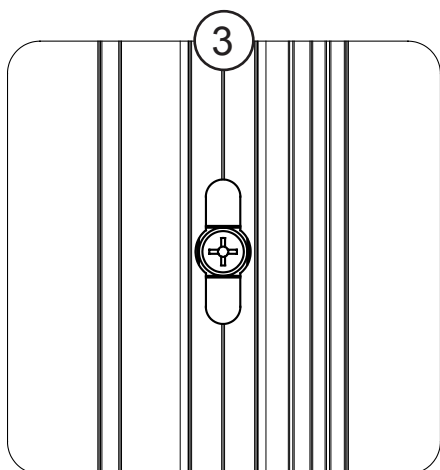
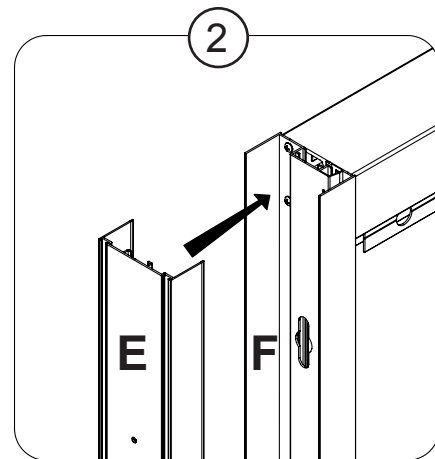
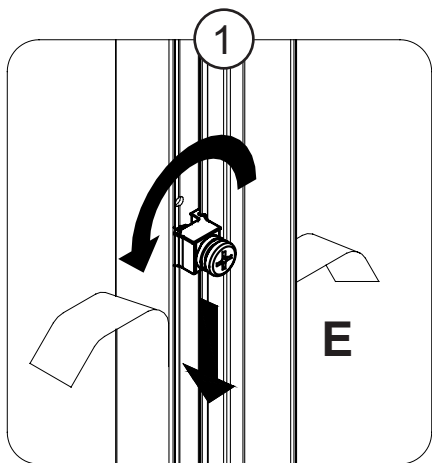


Important!
Utilisez
une échelle
pour faciliter
l'installation.

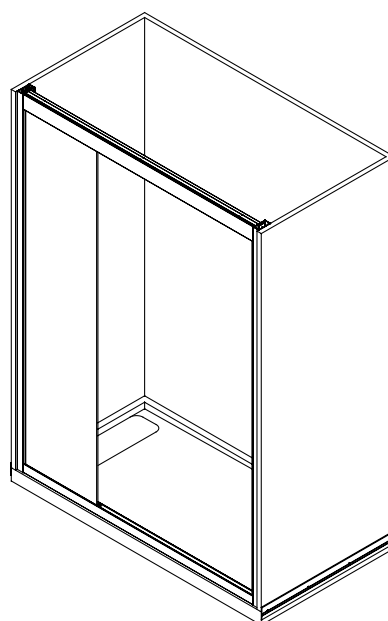


INSTALLATION DU RAIL MRAUX

1. Enlevez la pellicule protectrice du rail muraux (E), dévissez les vis de plastiques et placez-les à la fin de leur corridor.
- 2-3. Placez le rail muraux (E) sur le châssis (F) en ajustant la position des vis de plastiques.
4. Verrouillez les deux rails ensemble en poussant les vis de plastique vers le bas, dans le châssis (F).
5. Placez la structure de la douche sur la base.



5



INSTALLATION DU RAIL MRAUX

1-2. Utilisez les vis de plastiques du rail muraux (E) pour ajuster le niveau de la structure de la douche. Également, assurez-vous que les 2 murs soient bien ajustés.

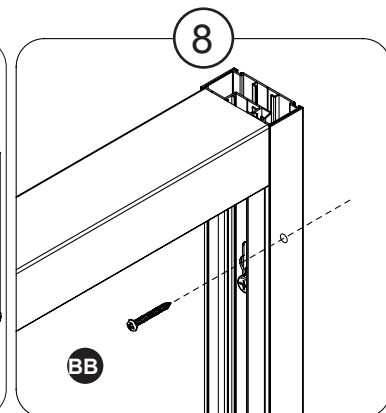
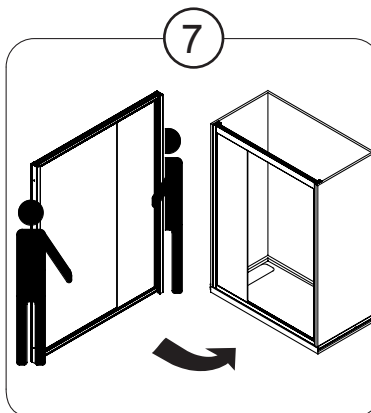
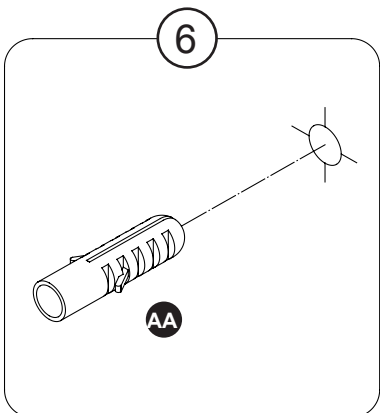
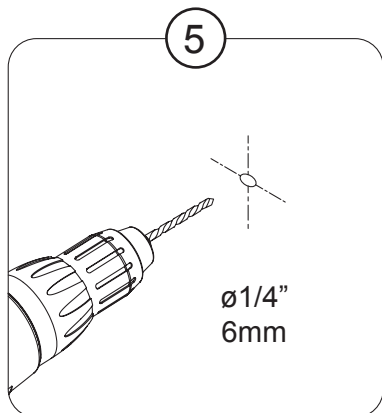
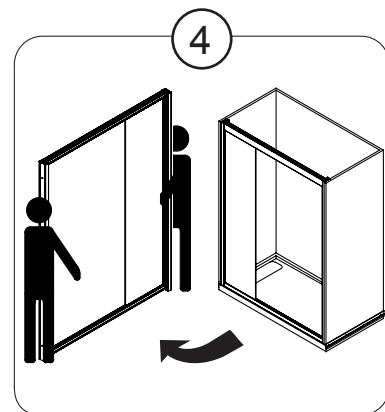
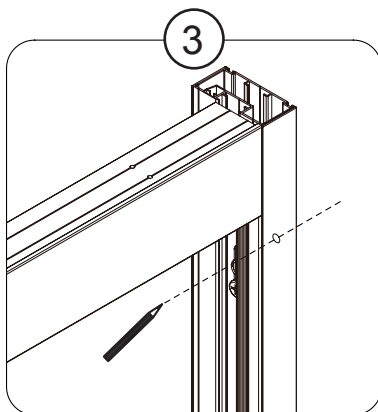
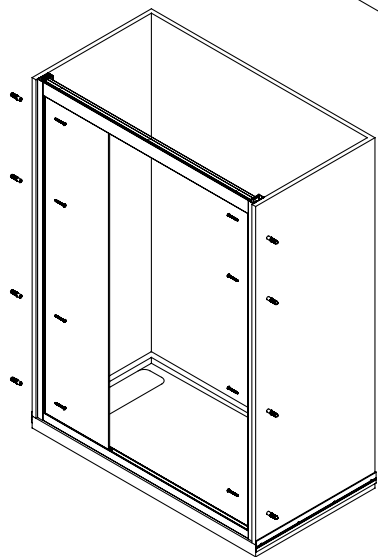
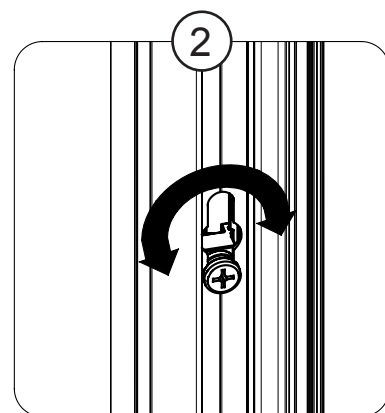
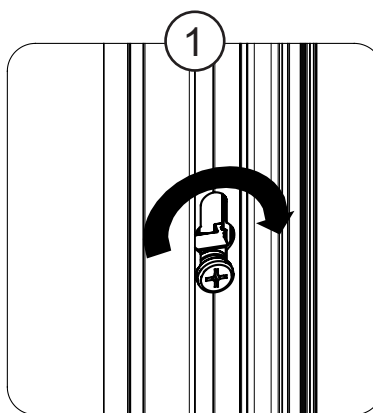
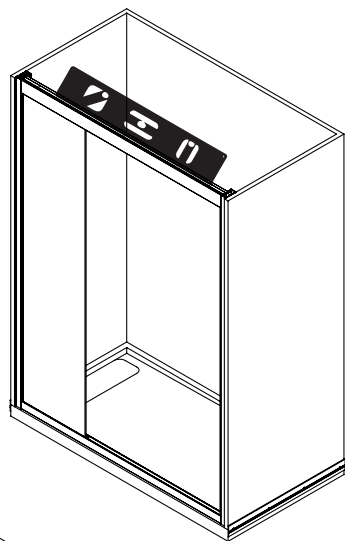
Note : Le rail muraux (E) dispose de 8 vis de plastiques qui vous aideront à ajuster le niveau de la structure de la douche ainsi que l'ajustement entre les 2 murs.

3. Marquez la position des trous du rail muraux (E) sur le mur.

4-5. Enlevez la structure de la douche et percez les trous marqués au mur avec un foret d'un diamètre de 1/4"(6mm)

6-7. Insérez l'ancrage mural (AA) dans le mur et remettez la structure de la douche en place.

8. Installez le rail (E) sur le mur en utilisant les vis (BB).



INSTALLATION DE LA PORTE

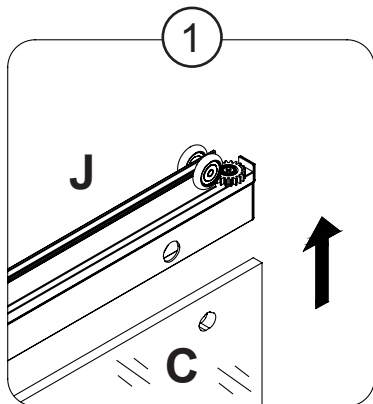
Note: 2 people are required for the following installation steps!

1-2. Installez le panneau de verre (C) sur le rail coulissant (J) à l'aide des raccords pour panneaux de verre (EE) et les capuchons (OO). Nivelez le panneau de verre en utilisant le mécanisme d'excentration des raccords.

3. Placez le rail coulissant (L) sur le rail inférieur (N).

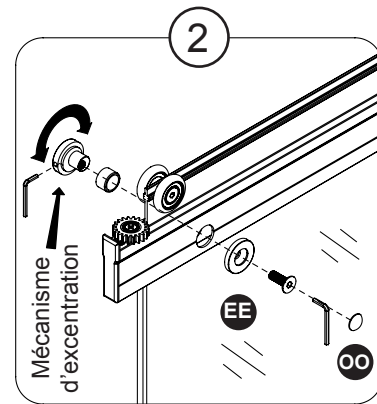
4-5. Fixez le rail coulissant (L) sur le rail inférieur (N) en utilisant le raccord du haut (FF) et le capuchon (GG). Assurez-vous que les roues du rail (L) soient dans le passage du rail inférieur (N).

6. Insérez le joint d'étanchéité vertical (O) dans le châssis (F).

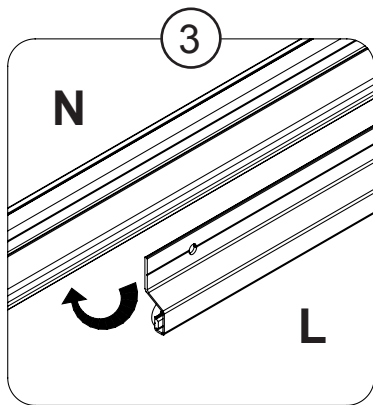


La vue de l'intérieur

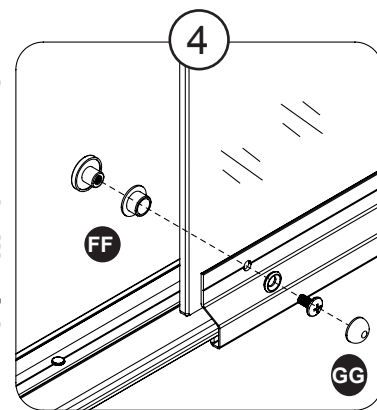
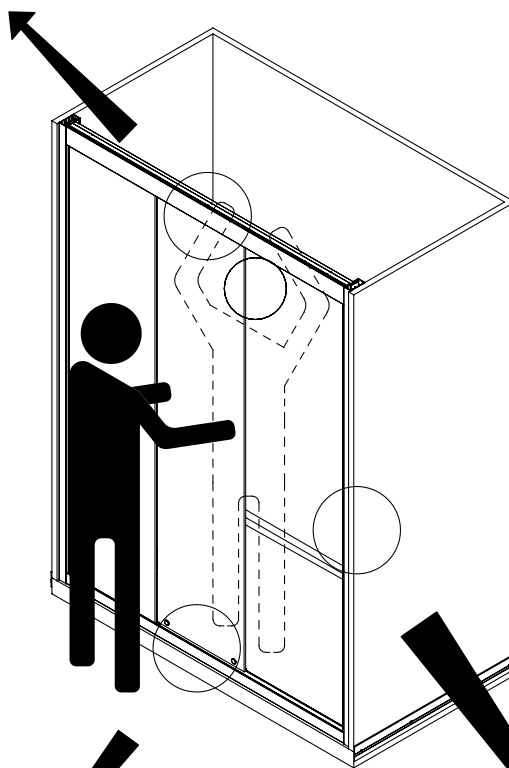
Important!
Le panneau doit être installée dans la bonne direction, donc assurez-vous de placer vers le haut le côté de la porte avec les trous ovales.



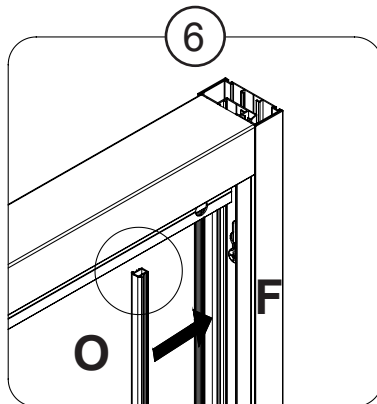
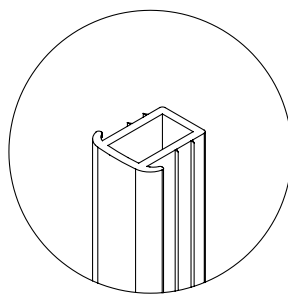
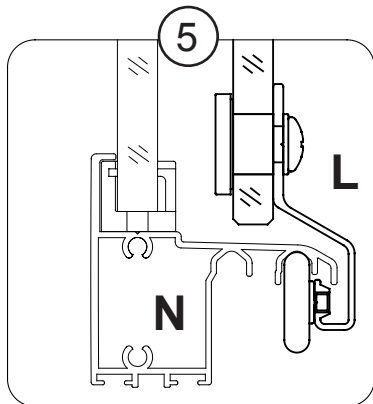
La vue de l'intérieur



La vue de l'intérieur

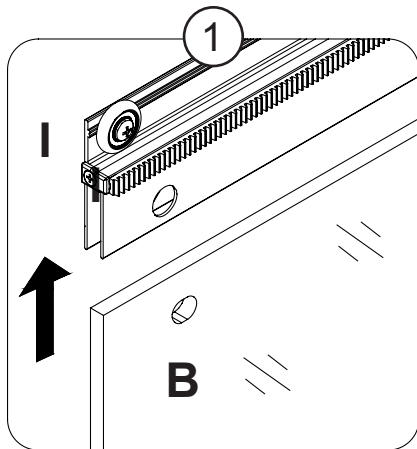


La vue de l'intérieur



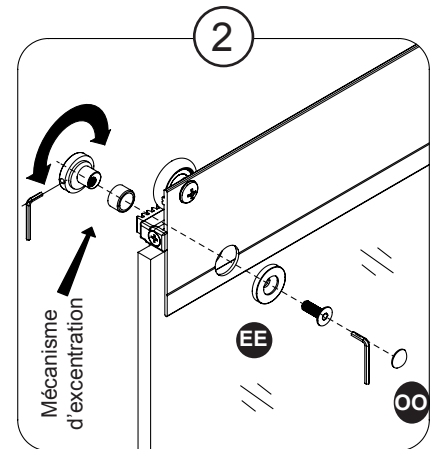
INSTALLATION DE LA PORTE

- 1-2. Installez la porte (B) sur le rail coulissant (I) avec l'aide du raccord (EE) et du capuchon (OO). Ajustez le niveau du panneau de verre avec le mécanisme d'excentration des raccords.
3. Placez le rail magnétique pour la porte (R) sur la porte (B).
4. Trouvez de quel côté la bande magnétique (P) est attiré par l'aimant de la porte (R).
5. Insérez la rail magnétique (P) dans le châssis (F). Assurez-vous d'insérer le côté magnétique face à l'aimant de la porte.

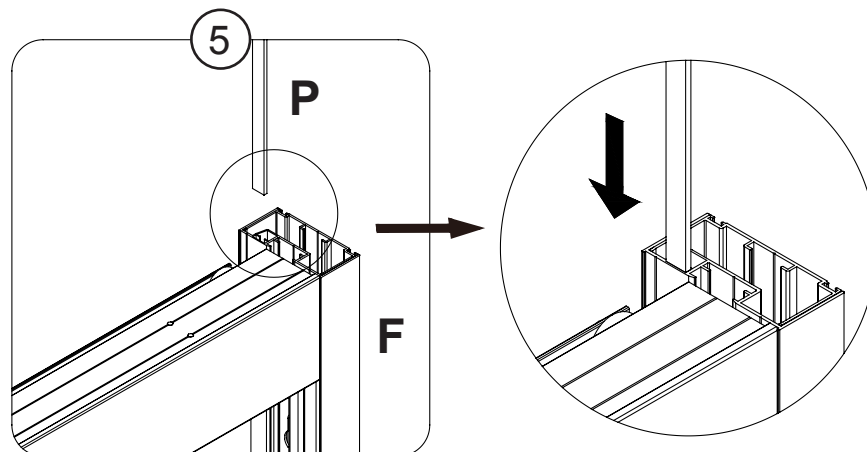
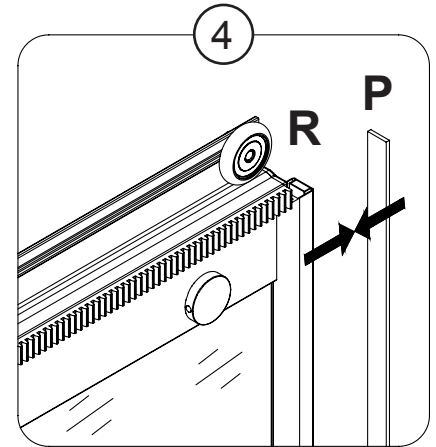
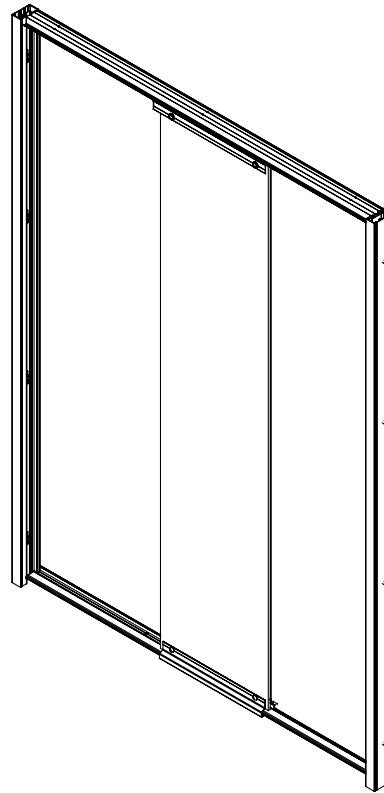
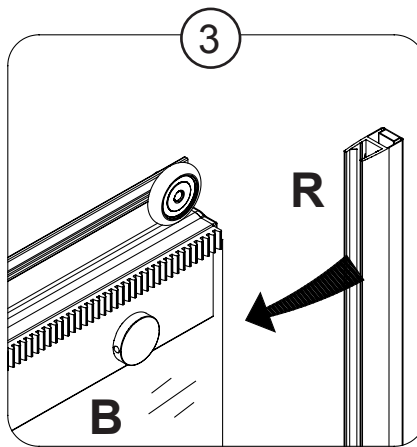


La vue de l'intérieur

Important!
Le panneau doit être installée dans la bonne direction, donc assurez-vous de placer vers le haut le côté de la porte avec les trous ovales.



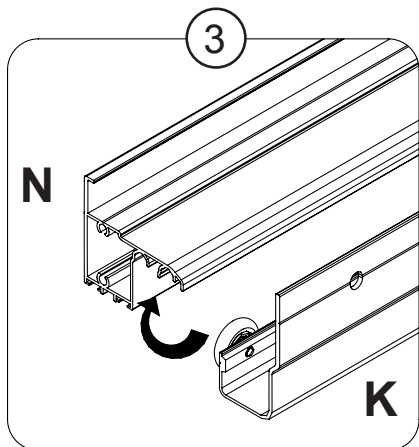
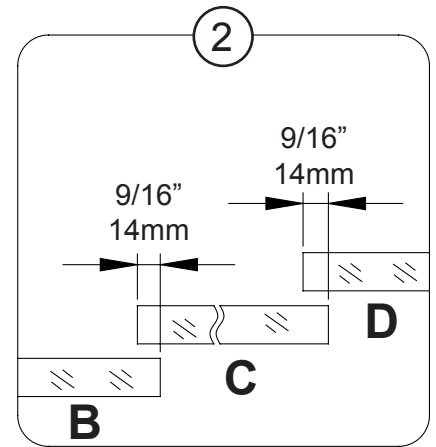
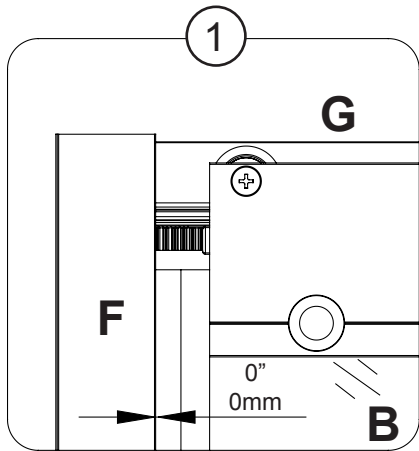
La vue de l'intérieur



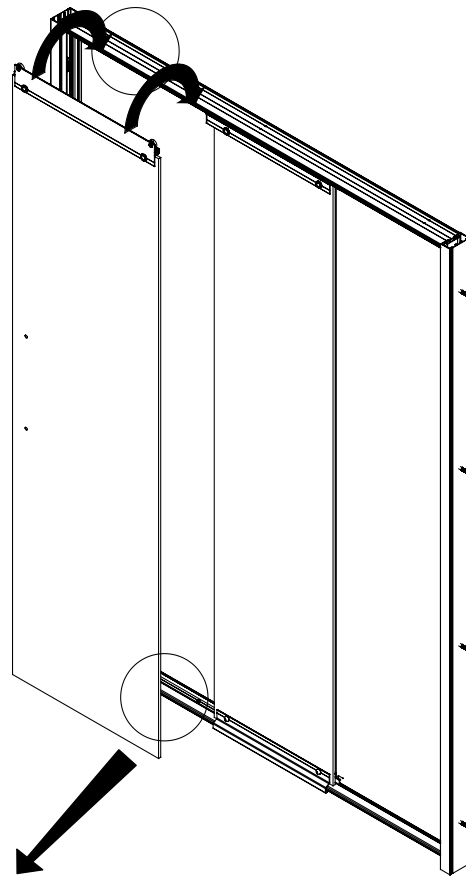
INSTALLATION DE LA PORTE

1-2. Placez la porte (B) sur le rail supérieur (G) et assurez-vous que la porte puisse bien fermer et que la distance entre les panneaux (B, C & D) soit d'environ 9/16" (14mm).

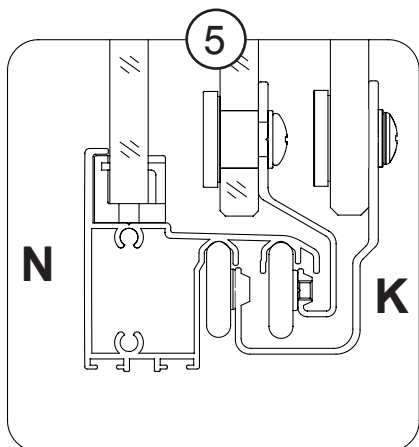
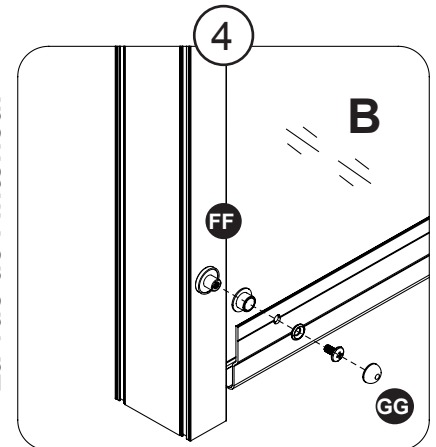
3-5. Installez le rail coulissant du bas de la porte (K) sur le rail inférieur (N) avec le raccord (FF) et le capuchon (GG). Assurez-vous que les roues du rail (K) soient dans le passage du rail inférieur (N).



La vue de l'intérieur

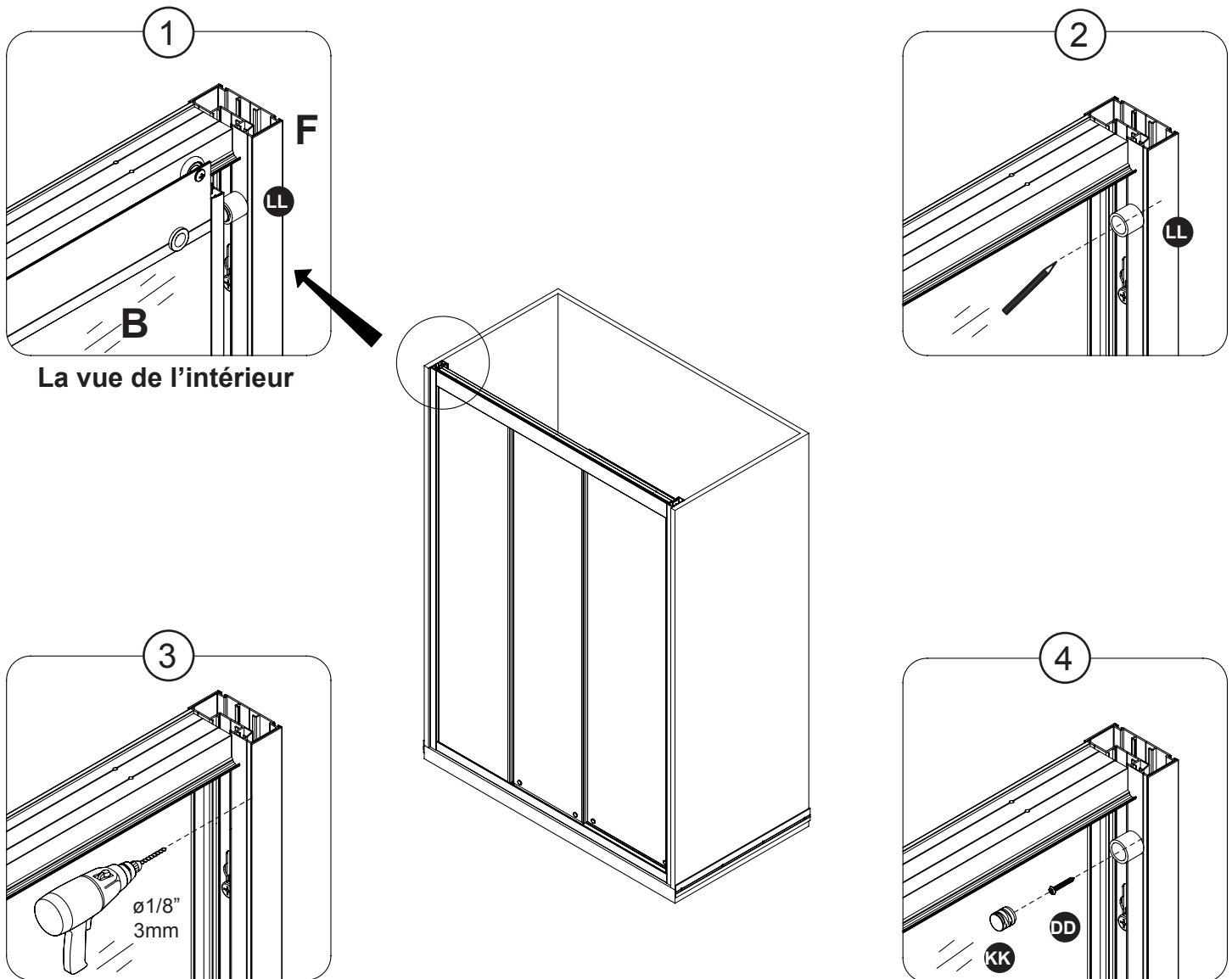


La vue de l'intérieur



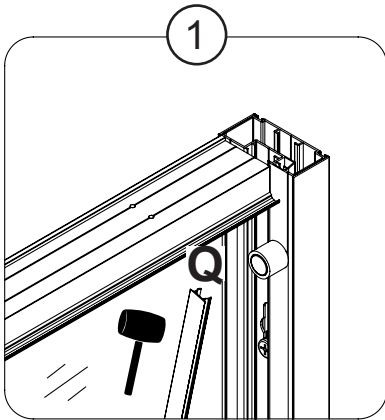
INSTALLATION DE LA BUTÉE ET DES JOINTS D'ÉTANCHÉITÉ

1. Placez la butée (LL) sur le châssis (F) situé du côté du panneau fixe. Trouvez la bonne position pour la butée en refermant la porte. Ceci devrait prévenir à ce que la porte ne frappe pas le rail mural, tout en ne limitant pas le mouvement d'ouverture et de fermeture de celle-ci.
- 2-3. Marquez la position de la butée (LL) et percez des trous avec un foret de $\varnothing 1/8''$ (3mm).
4. Installez la butée (LL) sur le châssis (F) avec les vis (DD) et insérer le ancrage (KK).

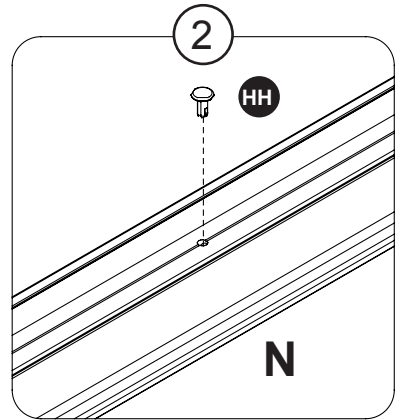


INSTALLATION DE LA BUTÉE ET DES JOINTS D'ÉTANCHÉITÉ

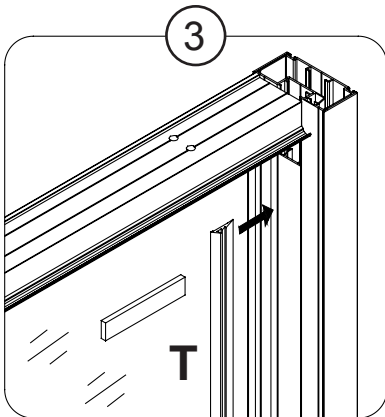
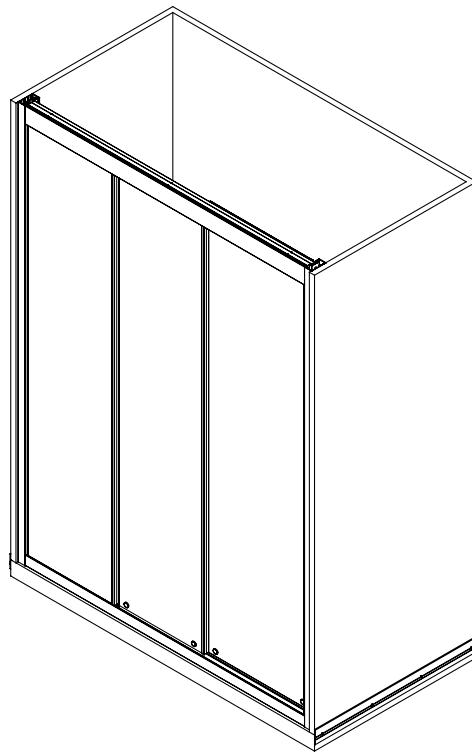
1. Placez le joint (Q) sur le châssis (F). Utilisez un maillet en caoutchouc afin de vous faciliter la tâche.
2. Placez le capuchon (HH) sur le rail inférieur (N).
3. Placez le joint d'étanchéité (T) entre le panneau fixe (D) et le châssis (F). Utilisez la tige de bois pour vous aider, étant donné l'espace restreint.
4. Installez le couvert du rail supérieur (V) au rail supérieur (G) avec les vis (PP).



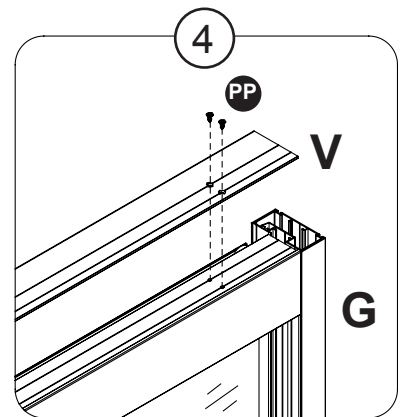
La vue de l'intérieur



Important!
Utiliser un maillet de caoutchouc afin de pousser le joint du haut vers le bas.



La vue de l'intérieur

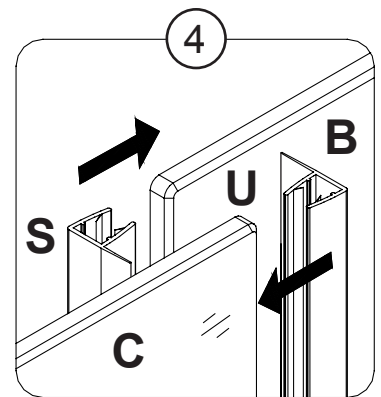
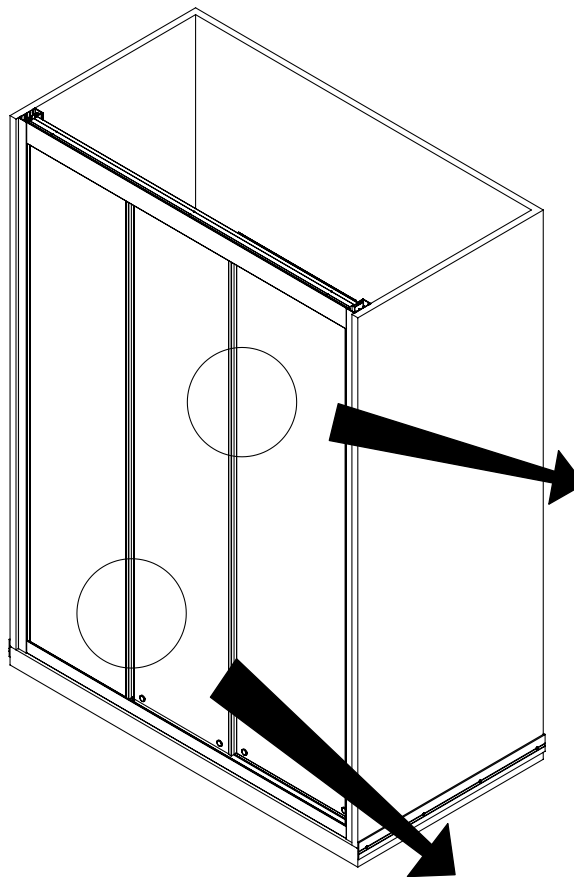
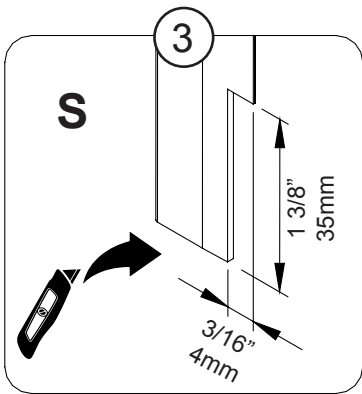
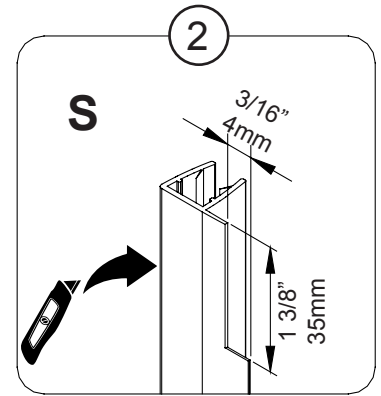
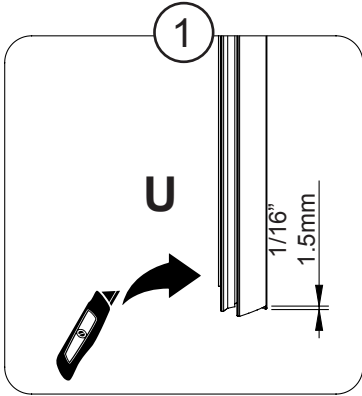


Important!
Utiliser la tige de bois pour pousser le joint d'étanchéité dans l'ouverture restreinte.

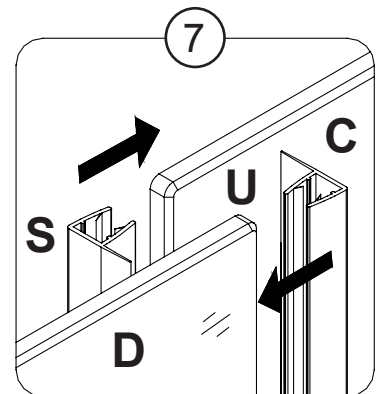
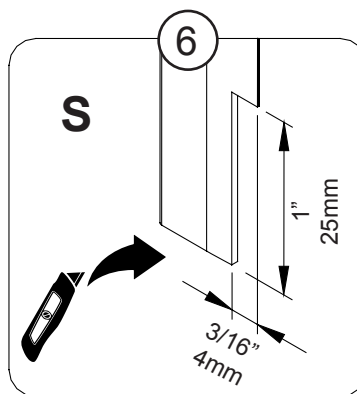
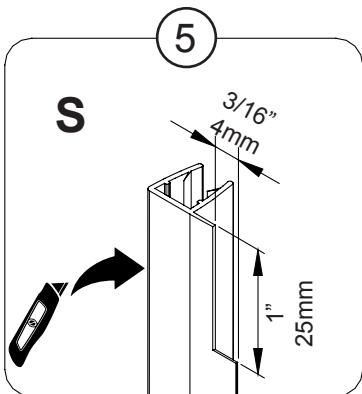


INSTALLATION DE LA BUTÉE ET DES JOINTS D'ÉTANCHÉITÉ

1. Coupez l'excédent du joint d'étanchéité (U).
- 2-3. Coupez l'excédent du joint d'étanchéité (S).
4. Placez les joints d'étanchéité verticaux (S & U) sur les panneaux (B & C).
- 5-6. Coupez l'excédent de l'autre joint d'étanchéité (S).
7. Placez les joints d'étanchéité verticaux (S & U) sur les panneaux (C & D).



Vue de l'extérieur



Vue de l'extérieur

INSTALLATION DE LA POIGNÉE ET SCELLAGE

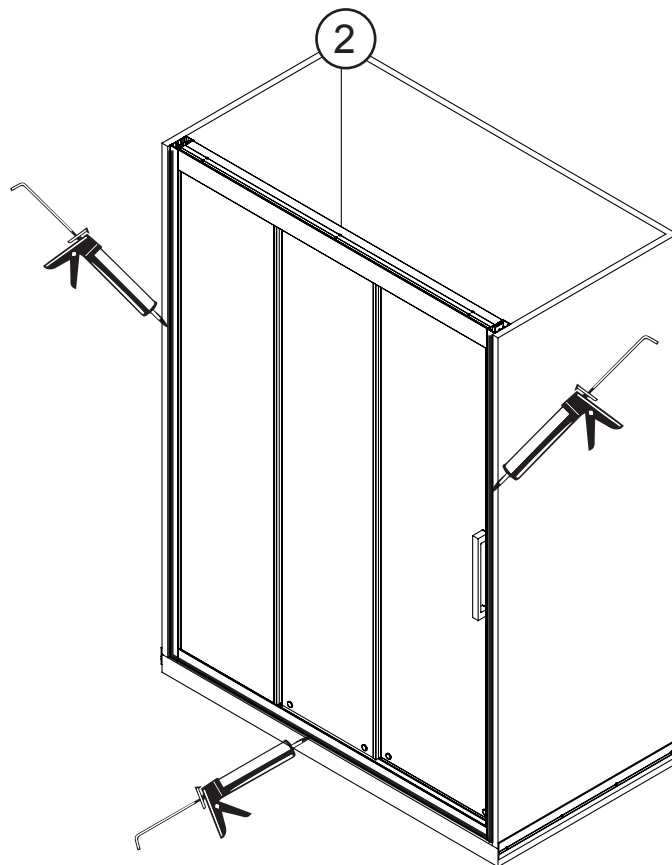
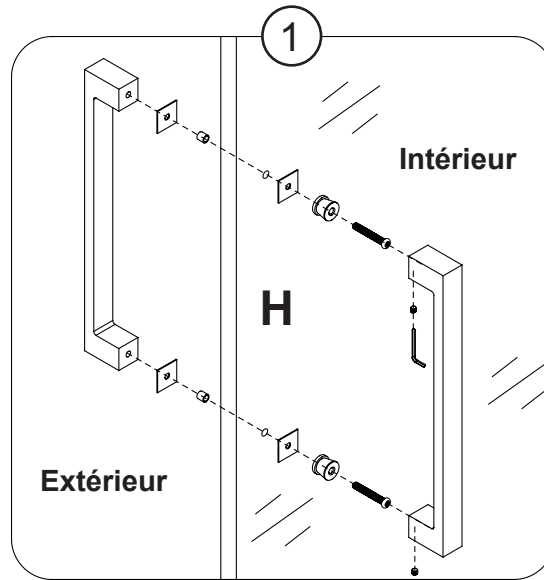
1. Installez la poignée (H) en utilisant une clé Allen.

2. Assurez-vous que la porte se ferme hermétiquement et s'ouvre doucement, et que le châssis et la barre de support sont étroitement fixés aux panneaux de verre.

Appliquez un scellant étanche à base de silicone sur le contour extérieur de toutes les composantes de la douche (horizontalement, entre la partie inférieure des panneaux de verres et de la base, et verticalement entre le mur, le châssis et tous les panneaux de verre).

Laissez sécher le scellant pendant 24 heures.

Une application inadéquate du scellant pourrait entraîner des fuites.



OVE Decors ULC

Garantie LIMITÉE du produit

OVE est distributeur des produits suivants:

- Portes de douche (garantie de cinq ans).
- Surfaces en acrylique (garantie de cinq ans contre le cloquage, le craquelage ou l'écaillage de la surface en acrylique).
- Structure en acrylique de la coque (garantie de 5 ans contre les fuites d'eau à travers le stratifié en fibre de verre de la coque en acrylique).
- Quincaillerie de la douche (poignée, charnières, fixations de support en caoutchouc, barre de support en métal et rails muraux) (garantie contre les défauts de fabrication et de matériel pour une période d'un an).

Garantie limitée: OVE garantit à l'acheteur original que dans un délai raisonnable après réception d'un avis de sa part, OVE réparera ou remplacera le produit, ou toute partie ou composante du produit visé, distribué par OVE, dont la défektivité de matériel ou de fabrication est établie à la satisfaction d'OVE, et qui est survenue pendant l'utilisation normale et pendant la période couverte par la garantie. La présente garantie limitée ne s'applique pas aux produits qui ont été endommagés, ou qui s'avèreraient défectueux, résultant de causes autres que des défauts de fabrication (notamment une installation inadéquate; l'absence d'entretien ou un entretien inapproprié; l'exposition à divers éléments, notamment des produits corrosifs, l'environnement ou l'eau; des modifications, une utilisation abusive ou incorrecte). La présente garantie ne s'étend pas aux dommages causés aux finis. La période de garantie débute à la date d'achat du produit par le client. La présente garantie s'applique exclusivement aux produits achetés et utilisés dans des applications non commerciales.

Procédure de réclamation dans le cadre de la garantie: Pour faire une réclamation, veuillez composer le **1-866-839-2888** afin de résoudre le problème et de lancer le processus de réclamation, ou communiquer par courriel à **info@ovedecors.com**. OVE pourra inspecter et évaluer les produits; tout produit ou composante de produit qui respectera les critères énoncés ci-haut relativement à la garantie sera réparé ou remplacé au gré d'OVE. Les pièces remplacées ou réparées seront expédiées sans frais pour le client au moyen d'un service de transport terrestre régulier uniquement. Tout autre mode d'expédition accéléré utilisé le sera aux frais du client.

EXONÉRATION ET EXCLUSION DE GARANTIE : La présente garantie se veut un énoncé complet et exclusif des conditions afférentes à toutes les garanties limitées offertes par OVE.

Dans les limites permises par la loi, autre que la garantie expresse donnée dans le présent document, OVE NE DONNE AUCUNE GARANTIE, EXPLICITE OU IMPLICITE, Y COMPRIS TOUTE GARANTIE IMPLICITE QUANT À LA GARANTIE MARCHANDE DU PRODUIT OU À SON ADÉQUATION À UN EMPLOI PARTICULIER.

La présente garantie vous confère des droits légaux spécifiques. Vous pourriez également jouir d'autres droits, qui varient en fonction de la législation étatique, provinciale ou nationale applicable, laquelle ne peut être niée ou modifiée par la déclaration d'exonération ci-dessus. Sauf dans la mesure permise, la déclaration d'exonération n'a pas pour objet d'annuler, de modifier, de décaler ou de modifier l'applicabilité de la législation étatique, provinciale ou nationale ayant prépondérance et qui serait incompatible avec les modalités de la présente garantie limitée ou exonération. Cependant, dans la mesure permise par la loi, aucune garantie implicite de qualité marchande ou d'adaptation n'est donnée ou accordée dans les présentes. Malgré cette mise en garde, si toute forme de garantie est imposée par la loi, dans la mesure permise, la durée de telles garanties implicites est limitée à la durée la plus courte entre la garantie expresse ou la prescription applicable en vertu de la loi en vigueur.

Les produits énumérés ci-dessus sont prévus pour une installation et une utilisation personnelle et résidentielle du consommateur. L'utilisation des produits à toutes autres fins, notamment à des fins commerciales, annule la présente garantie. La présente garantie limitée est uniquement applicable aux produits énumérés ci-dessus aux présentes, et aucune garantie n'est accordée à des produits non distribués par OVE. La garantie est applicable uniquement au premier acheteur au détail.

Transférabilité : La présente garantie ne peut être transférée.

RESTRICTION ET EXCLUSION DE RECOURS ET DOMMAGES : La seule responsabilité d'OVE en vertu de la présente garantie limitée est de réparer ou de remplacer, à son gré, tout produit ou composante de produit défectueux. L'acheteur convient qu'il s'agit du seul et unique recours qui lui est consenti en vertu de la garantie limitée. OVE ne peut être tenu responsable de quelques dommages accessoires, consécutifs, particuliers ou indirects, y compris la perte d'utilisation en conséquence de tout défaut de fabrication d'un produit. OVE ne sera pas responsable des frais de main-d'œuvre ou de tous autres frais associés aux travaux pour retirer ou installer les pièces visées par la garantie. Certaines lois étatiques, provinciales ou nationales n'autorisent pas l'exclusion ou la limitation des dommages accessoires ou consécutifs, donc cette restriction pourrait ne pas s'appliquer à votre cas.

Modification de produit : OVE se réserve le droit de changer, de modifier ou d'améliorer les produits sans être tenue d'incorporer ces modifications aux produits vendus ou installés précédemment.

Autorité et modification : Le vendeur au détail n'est pas le représentant d'OVE et n'est pas autorisé à modifier ou à changer les modalités de la garantie limitée. De plus, le détaillant ne peut lier OVE ni faire de représentation ou de promesses à l'égard du produit qui sont contraignantes pour OVE.

En cas de divergences entre la version anglaise et la version française, la version dans la langue d'origine fait foi.

TRAITEMENT ET ENTRETIEN

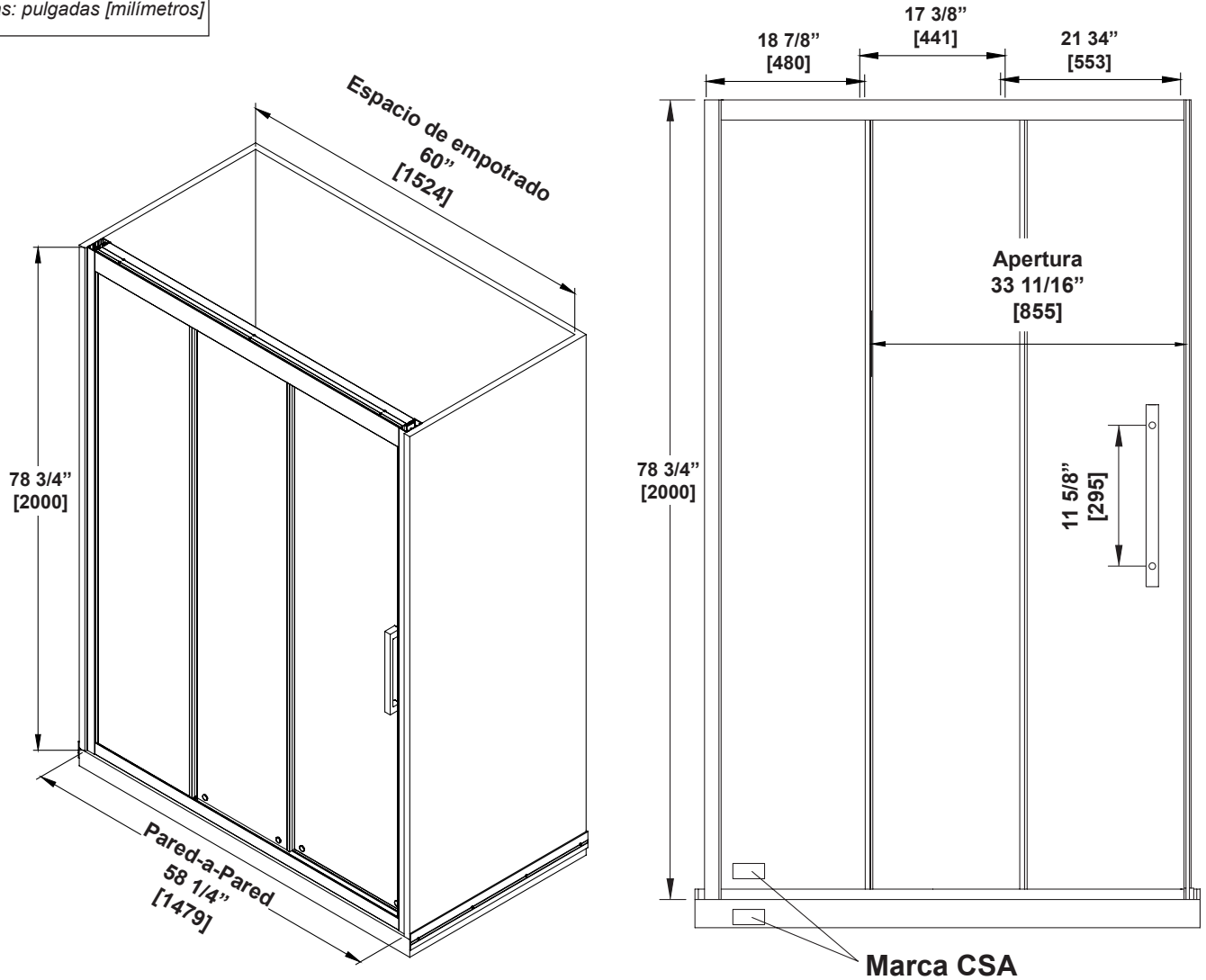
Utilisez un chiffon mouillé et un nettoyant liquide doux pour l'entretien quotidien.

N'utilisez jamais de nettoyants abrasifs contenant de l'acétone, du chlore ou du javellisant puissant, et évitez les grattoirs, les brosses métalliques et tout autre objet ou produit pouvant érafler ou ternir les surfaces.

Utilisez la clé à rochet pour serrer fortement tous boulons faisant partie d'une pièce supportant les panneaux fixes de verre et les portes. Ces boulons peuvent soutenir jusqu'à 250 lb*in de tension de serrage.

Vérifiez ces boulons tous les 4 mois et re-serrer les si nécessaire.

Medidas: pulgadas [milímetros]



Una guía de instalación de vídeo está disponible en nuestro canal de Youtube.

<https://youtu.be/HwjTMSGevVM>

Fecha de compra: _____ Seguimiento y referencia del producto: _____



Preguntas, problemas, piezas faltantes?

Antes de volver a la tienda, llame a nuestro departamento de servicio al cliente al 1-866-839-2888, 9 am. – 5 pm., HDE, Lunes a Viernes..

INFORMACIÓN DE SEGURIDAD

PRECAUCIÓN

Lea cuidadosamente la siguiente información importante antes de manipular e instalar la ducha. Hay riesgo de lesiones graves mientras se manipula el producto. Para minimizar estos riesgos, sírvase notar:

- Utilice siempre anteojos de seguridad y guantes durante la manipulación.
- Lea y siga siempre todos los pasos en las instrucciones de instalación.
- Inspeccione todo el contenido y el vidrio por daños antes de la instalación.
- Hay que prestar atención especial mientras se manipula el vidrio durante la instalación ya que el vidrio templado se puede despedazar al contacto con una superficie dura.
 - Manipule el vidrio templado con precaución! Una manipulación inadecuada del vidrio puede ocasionar que se rompa.
 - Observe siempre todas las precauciones para no tocar el vidrio templado con ninguna herramienta durante ni después de la instalación.
 - No corte el vidrio templado puesto que se despedazará si se corta.
 - Retire con cuidado los productos de envase y embalaje mantendrá hasta que la instalación se haya completado.
 - Inspeccione todas las piezas en busca de daños, si hay daños en la unidad antes de la instalación, póngase en contacto con el servicio al cliente al teléfono que figura en esta guía.
 - Instale la ducha en un piso que esté nivelado y pueda contener el peso de la unidad y de un ocupante.
 - Consulte los códigos de construcción locales y normas requeridas antes de la instalación y asegúrese de cumplirlos.
 - Después de la instalación, y de tiempo en tiempo, verifique el ajuste el acabado del vidrio para asegurarse de que nada se ha aflojado con el tiempo.
 - Guarde este manual de instalación para consulta en el futuro.

ATENCIÓN

- Cualquier modificación o alteración con respecto a lo especificado en este manual de instrucción anulará toda la garantía de este producto.
 - El distribuidor no se hace responsable por cualquier tipo de daño a la unidad o propiedad personal ocasionado por una instalación inadecuada. Ignorar estas instrucciones anulará la garantía y ocasionará daños potenciales por agua en su hogar.
 - Consulte www.ovedecors.com para cualquier información adicional o pregunta sobre la instalación de este producto.

PREPARACIÓN

Necesitará al menos dos personas para instalar esta unidad de forma adecuada.



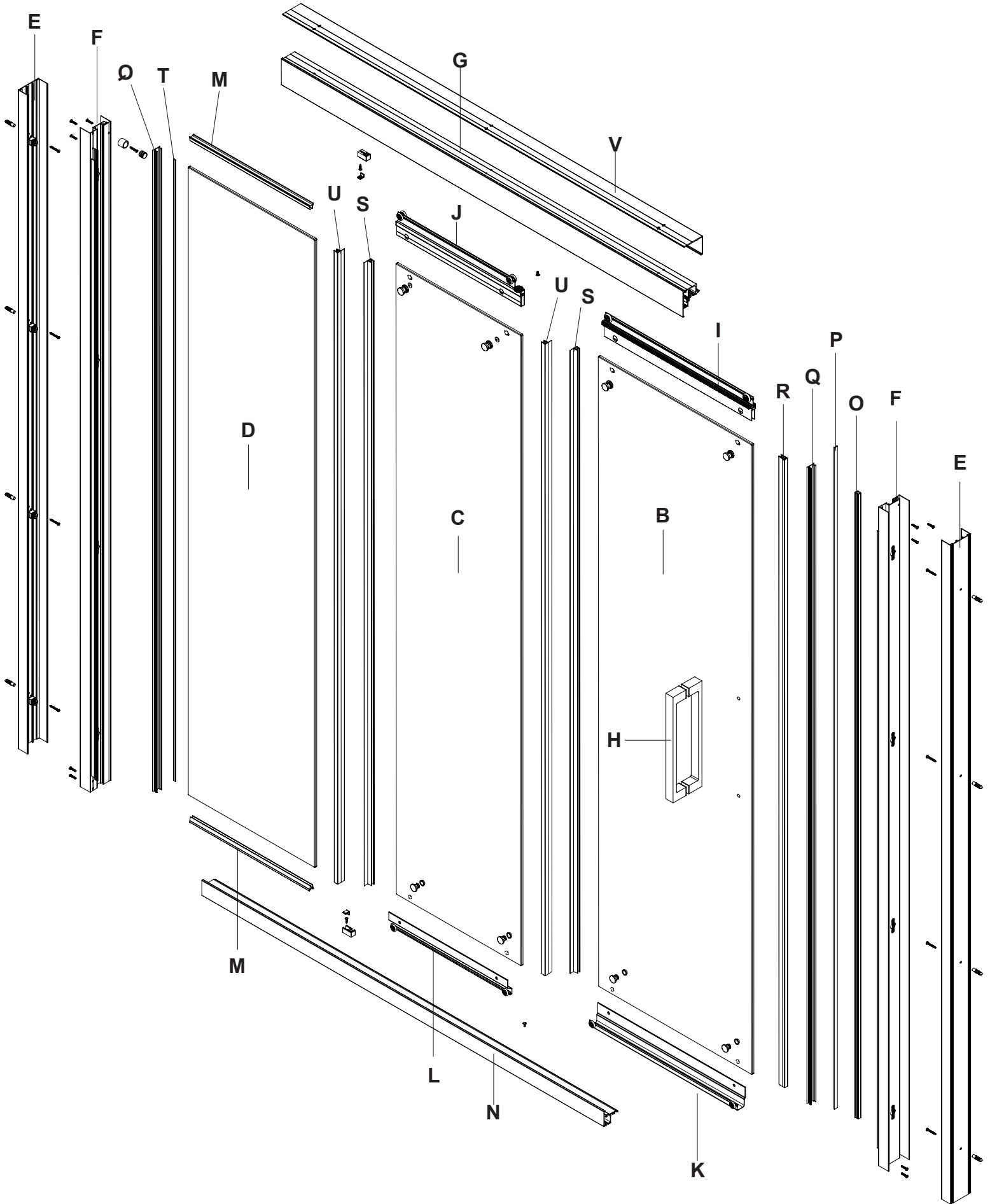
Antes de comenzar a ensamblar el producto, asegúrese de tener todas las piezas. Compare las piezas con la lista del contenido del paquete y la lista de aditamentos. No intente ensamblar el producto si falta alguna pieza o si estas están dañadas.

Tiempo estimado de ensamblaje: Ducha (120 min).

TABLA DE CONTENIDOS

CONTENIDO DEL PAQUETE.....	49
CONTENIDO DE HARDWARE.....	50
HERRAMIENTAS NECESARIAS.....	50
REVERSIBILIDAD DE LA DUCHA.....	51
DE PARED A PARED MEDIDAS.....	51
GUÍA PARA LA INSTALACIÓN LA BASE (OPCIONAL).....	52
INSTALACIÓN DEL PANEL FIJO.....	53
INSTALACIÓN DEL RIEL SUPERIOR.....	55
INSTALACIÓN DEL RIEL DEL MARCO.....	56
INSTALACIÓN DEL RIEL DE LA PARED.....	57
INSTALACIÓN DEL PANEL DE LA PUERTA.....	59
INSTALACIÓN DE LOS RETENEDORES Y LAS TIRAS.....	62
INSTALACIÓN DE LA MANIJA Y SELLADO.....	65
GARANTÍA LIMITADA DE PRODUCTOS.....	66
CUIDADO Y MANTENIMIENTO.....	66

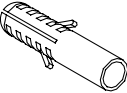
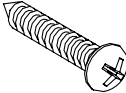
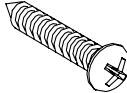
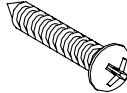
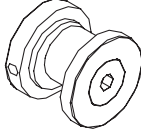

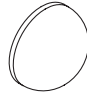
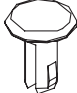
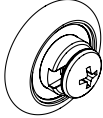


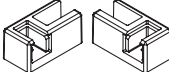
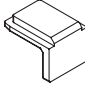

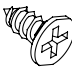
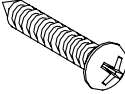
CONTENIDO DEL PAQUETE





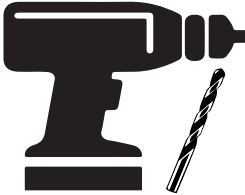
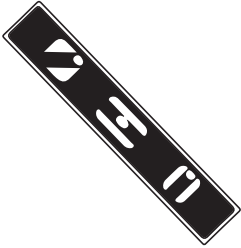

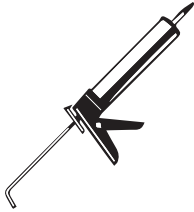



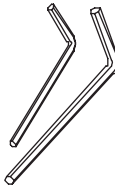

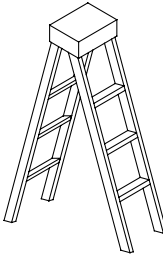
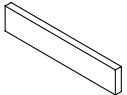
CONTENIDO DEL PAQUETE

PARTE#	DESCRIPCIÓN	CANTIDAD	CÓDIO
B	Panel de la puerta	1	99SGD3111-WM
C	Panel central	1	99SG31010-WM
D	Panel fijo	1	99SG31009-WM
E	Pista de la pared	2	99STR3114-WM
F	Pista de marco	2	99STR3123-WM
G	Parte superior del carril	1	99SGS0039-WM
H	Manija de la puerta	1	99SHA3108-WM
I	Riel de rodadura de puerta	1	99SWE0037-WM
J	Riel de rodadura del panel de vidrio	1	99SWE0038-WM
K	Riel de rodadura de la parte inferior de la puerta	1	99SWE3119-WM
L	Riel de rodadura de la parte inferior del panel de vidrio	1	99SWE3120-WM
M	Tira de caucho horizontales	2	99SRU0076
N	Parte inferior del carril	1	99STR3116-WM
O	Tira de caucho vertical	1	99SRU0075
P	Tira magnética	1	99SRU0070
Q	Tapones de aluminio	2	99STR3117-WM
R	Riel magnético de puerta	1	99SRU0071
S	Tira de estanqueidad vertical (largo)	2	99SRU0072
T	Empaquetadura	1	99SRU0073
U	Tira de estanqueidad vertical (corto)	2	99SRU0074
V	Tapa del riel superior		99STR3124-WM
W	Contenido de hardware	1	99SHW0126-WM

CONTENIDO DE HARDWARE

AA	BB	CC	DD	EE	FF	GG	HH
							
Tarugo ø6x30mm 8+2	Tornillo ST4x35mm 8+2	Tornillo ST4x20mm 8+2	Tornillo ST4x12mm 3+1	Manguito de fijación superior del vidrio 4x	Manguito de fijación inferior del vidrio 4x	Capuchón de manguito de fijación inferior 4x	Capuchón 2x
II	KK	LL	MM	NN	OO	PP	QQ
							
Ruedas con roscas 2 extra	Tapón 1x	Retenedor 1x	Abrazaderas izquierda y derecha 1+1	Capuchón de la abrazadera 2x	Capuchón de manguito de fijación superior 4x	Tornillo ST4x10mm 6+2	Tornillo ST4x30mm 2+1

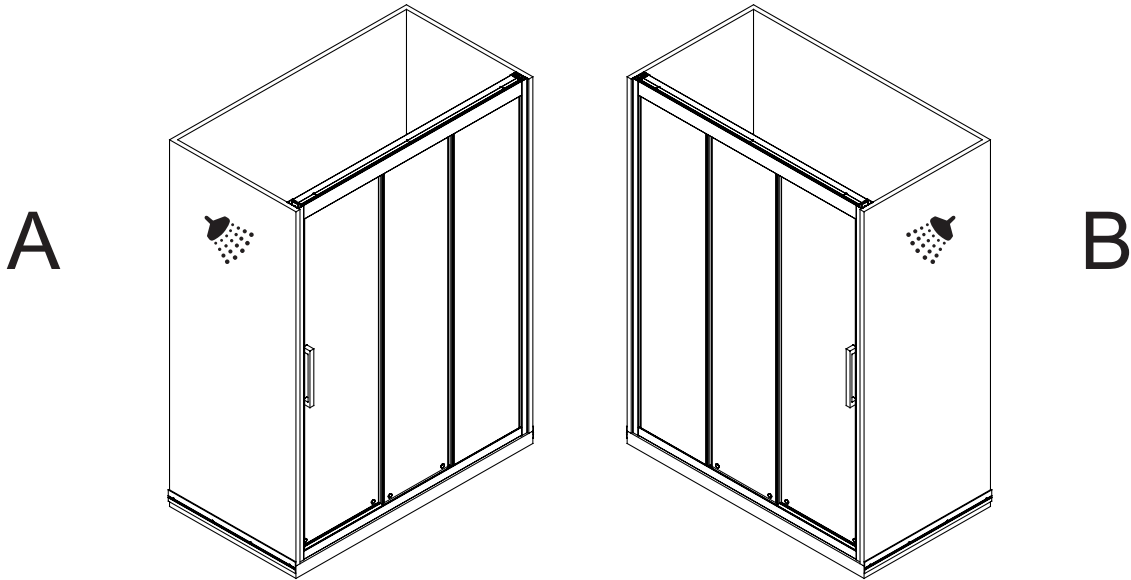
HERRAMIENTAS NECESARIAS

			
Lápiz	Destornillador	Taladro con brocas para cerámica ø1/8" (3mm) & ø1/4" (6mm)	Nivel
			
Cinta medidora	Silicona	Mazo de goma	Cuchilla
			
Anteojos de seguridad	Llave Allen 2mm & 2.5mm & 3mm	Llave de trinquete	Escalera
			
			Pedazo de madera

REVERSIBILIDAD DE LA DUCHA

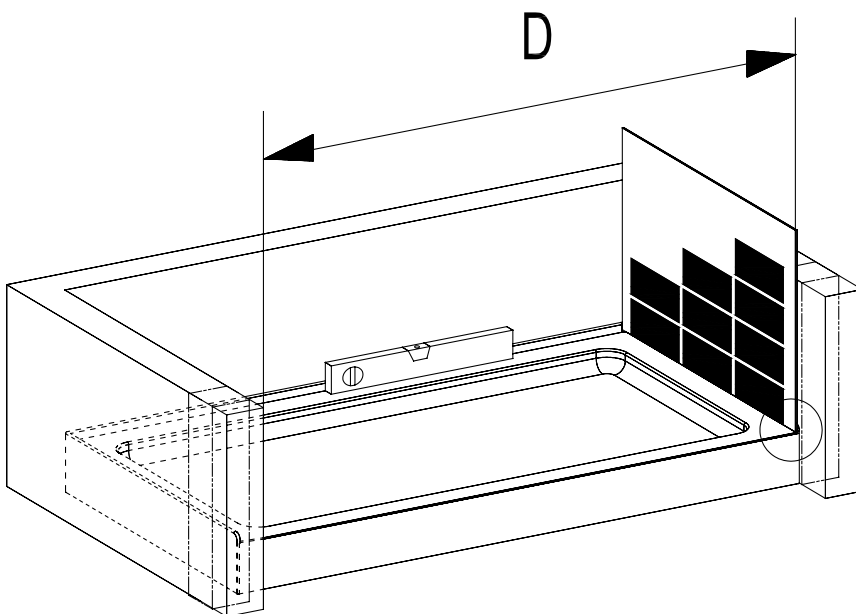
- Estas instrucciones fueron elaboradas para una abertura de puerta de derecha a izquierda (ilustración B).
- Para una abertura de izquierda a derecha (ilustración A), siga estas mismas instrucciones, pero cambie el lugar para la ubicación del riel: efecto espejo.

! ¡Instale la cabeza de la ducha hacia el lado de la puerta! Esto reducirá el riesgo de escape de agua.



DE PARED A PARED MEDIDAS

- Mida el espesor de las baldosas antes de instalar los rieles metálicos. Una baldosa más espesa limitará el espacio para instalar los paneles de la ducha.
- Asegúrese de tener una distancia baldosa a baldosa entre 1479mm (58 1/4 pulg.) Min y 1498mm (59 pulg.) Max (ver imagen).

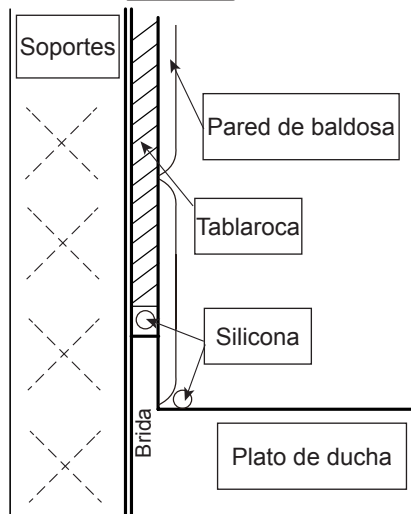


Asegúrese de tener una distancia (D) de baldosas en el lado izquierdo de la teja en el lado derecho:

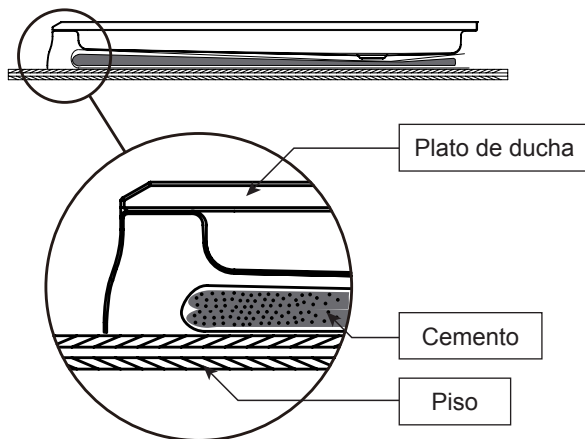
D Min: 1479mm (58 1/4 pu)
D Max: 1498mm (59 pu)

BASE INSTALLATION GUIDELINES (OPTIONAL)

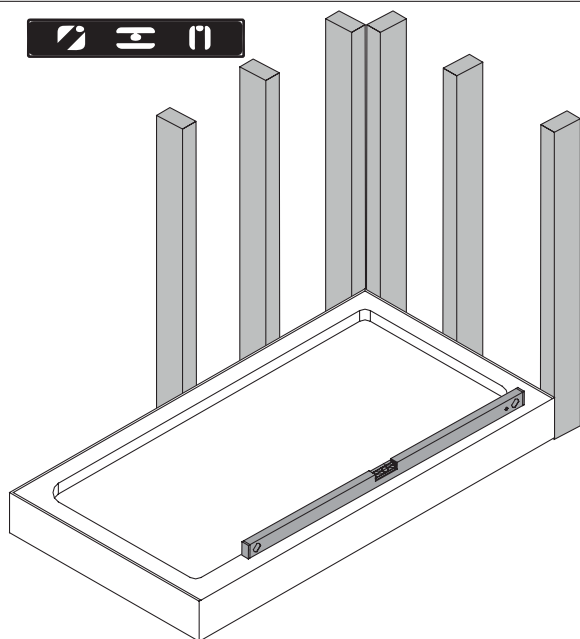
1



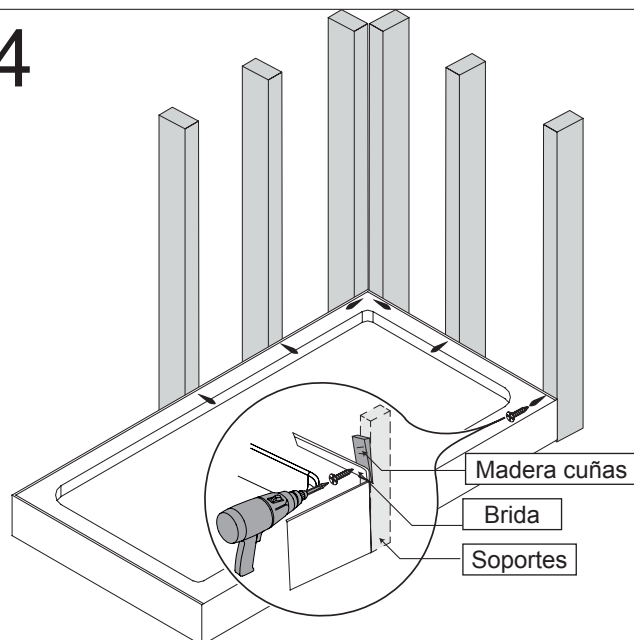
2



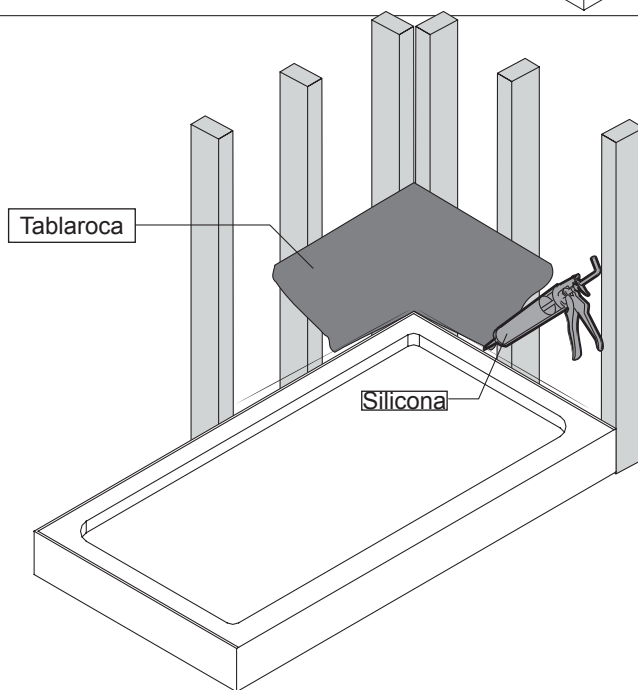
3



4

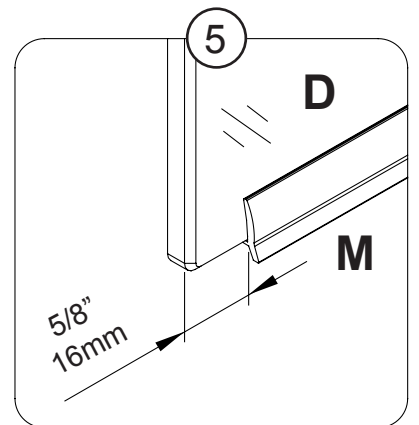
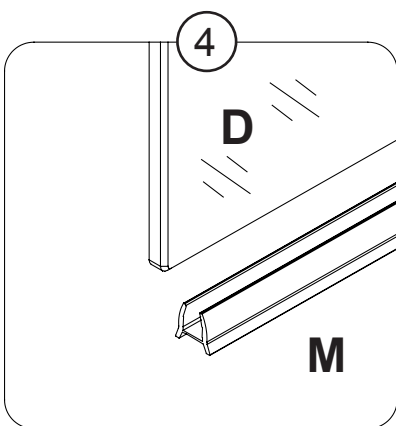
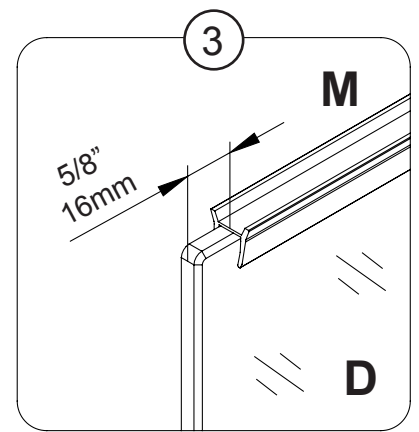
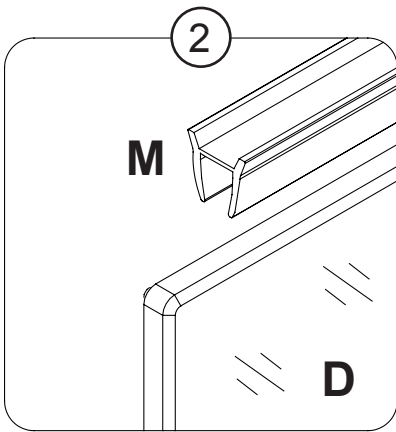
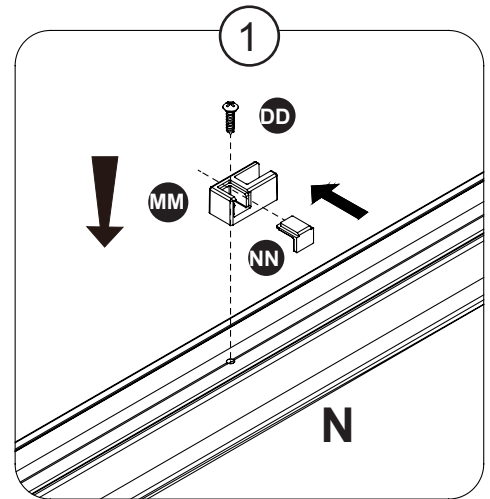
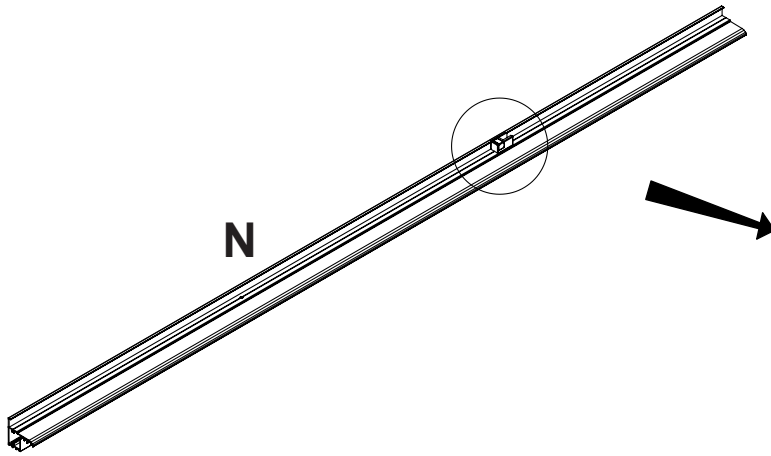


5



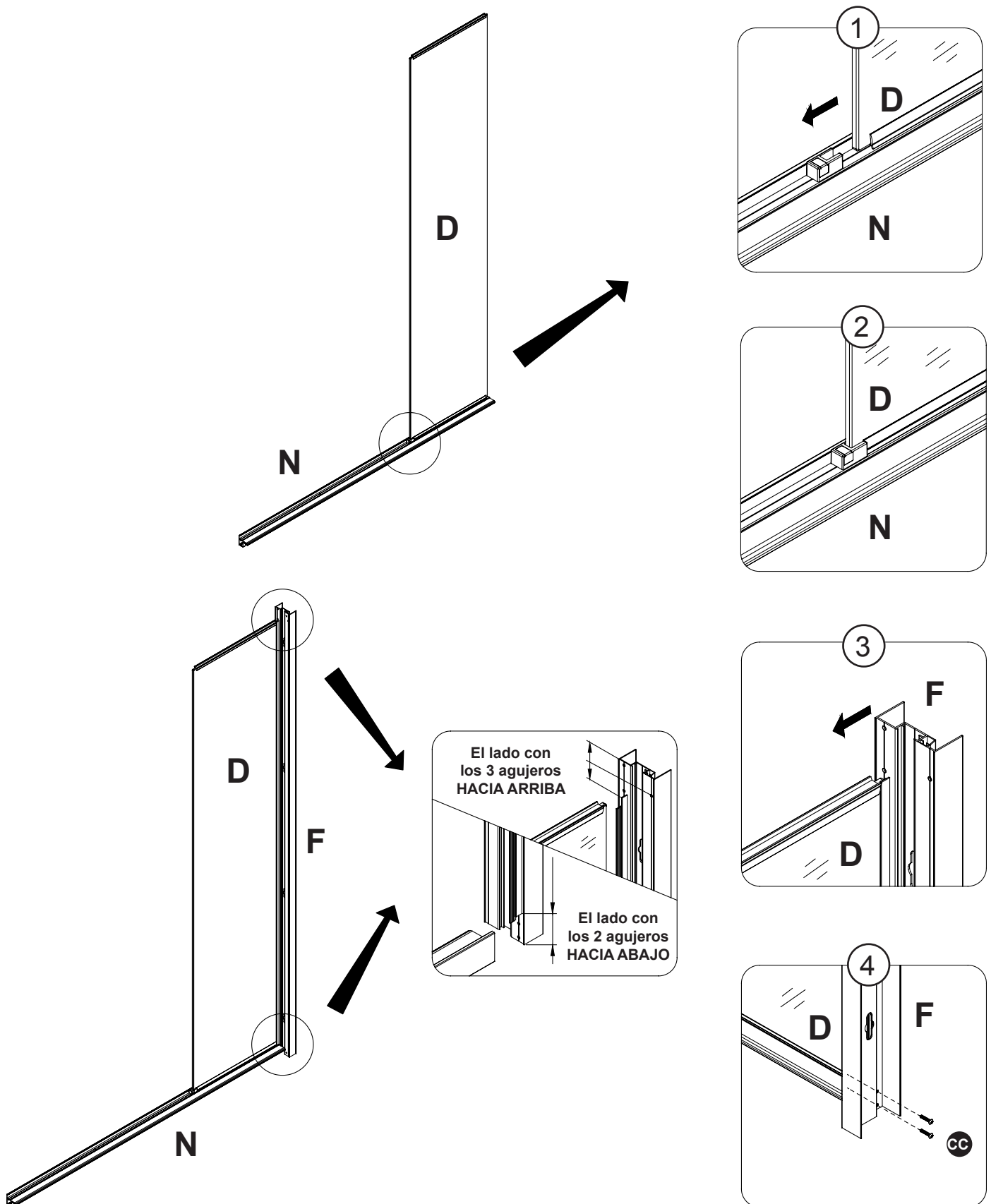
INSTALACIÓN DEL PANEL FIJO

1. Instale la abrazadera (MM) y el capuchón (NN) en el parte inferior del carril (N) utilizando el tornillo (DD).
- 2-3. Coloque tira de caucho horizontal (M) en el panel fijo (D).
- 4-5. Coloque la tira de caucho horizontal (M) en el panel fijo (D).



INSTALACIÓN DEL PANEL FIJO

- 1-2. Coloque el panel fijo (D) en parte inferior del carril (N).
3. Coloque el pista de marco (F) en el panel fijo (D).
4. Fije el pista de marco (F) utilizando los tornillos (CC).

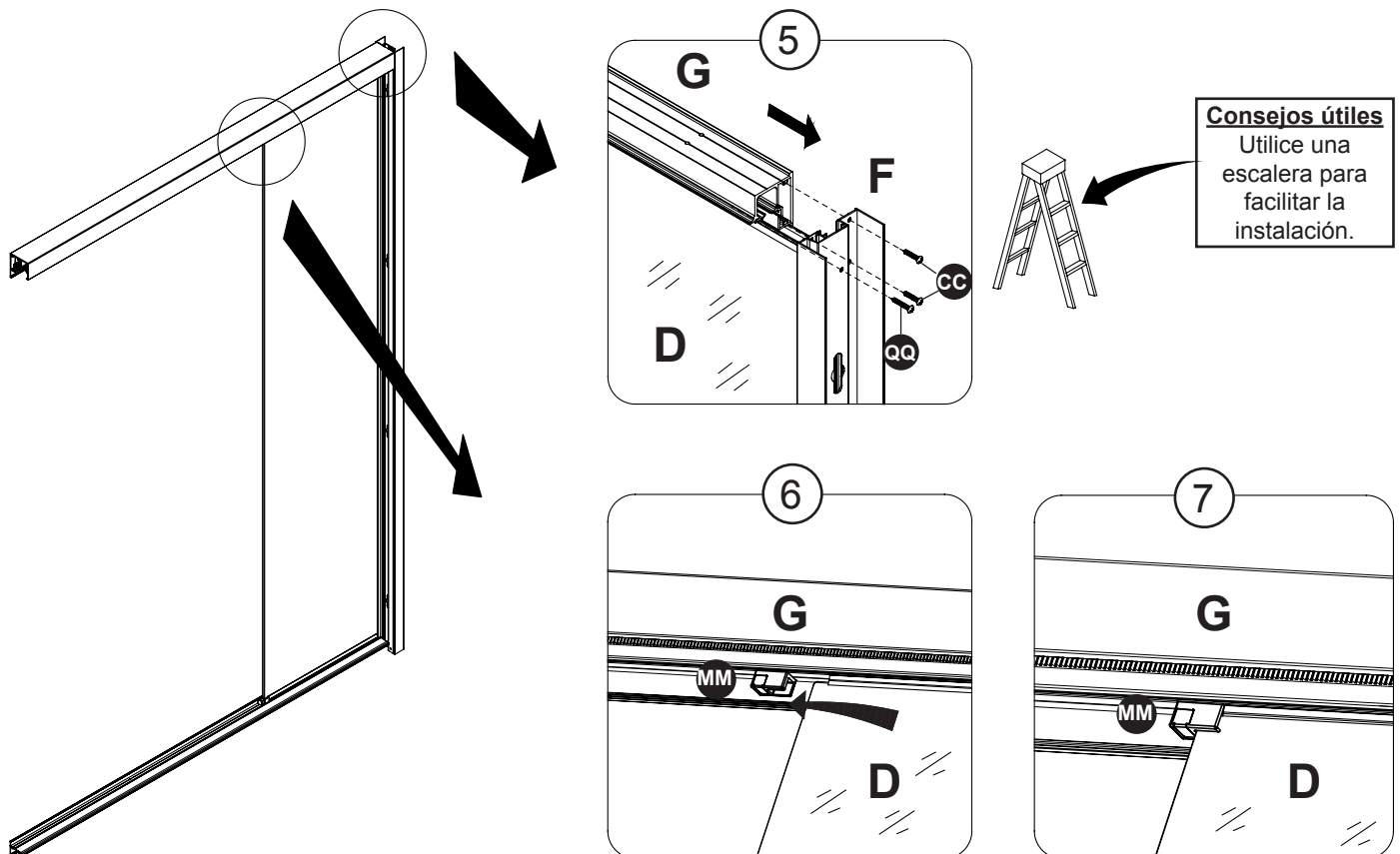
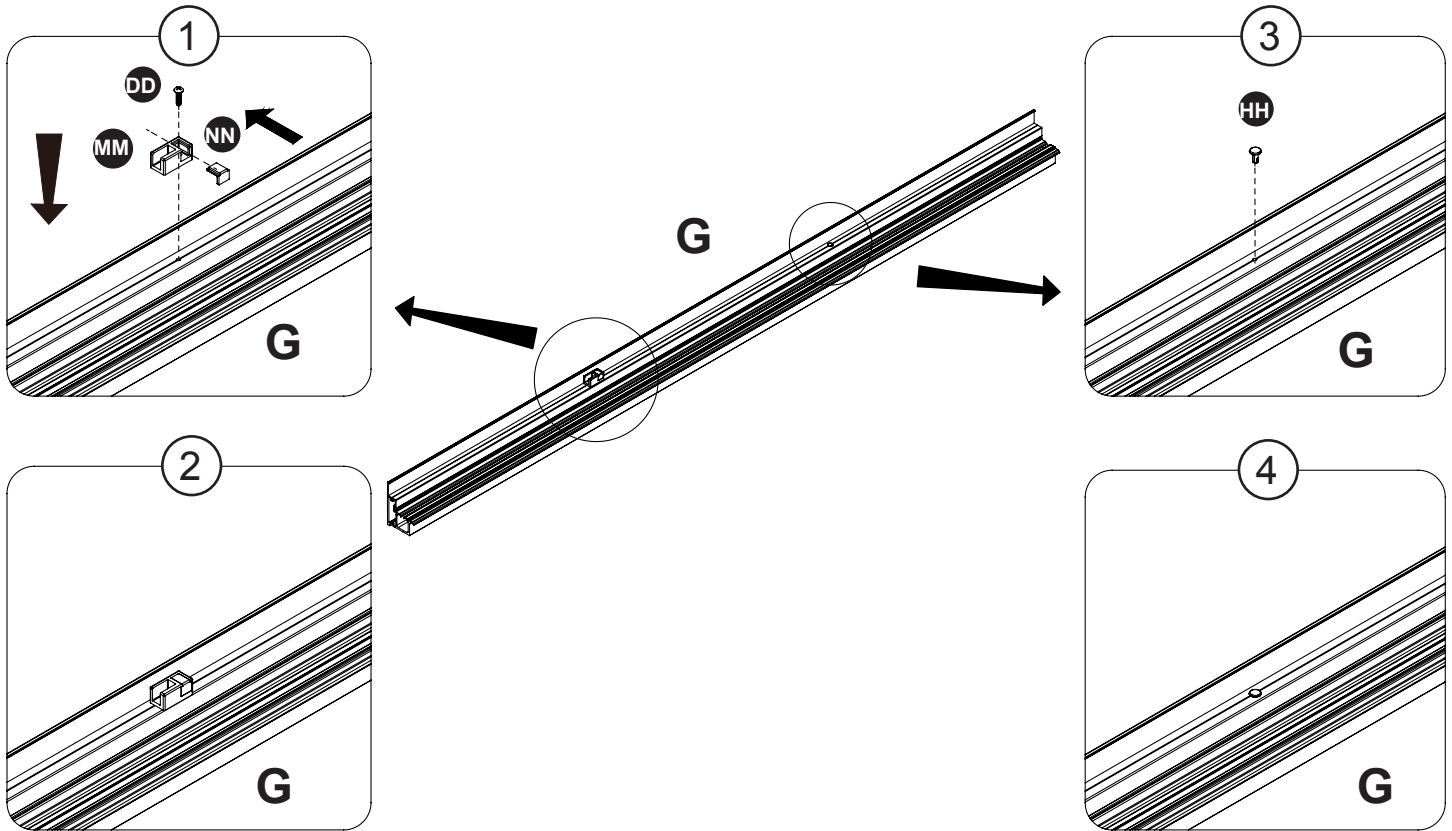


INSTALACIÓN DEL RIEL SUPERIOR

1-2. Instale la abrazadera (MM) y el capuchón (NN) en la parte superior del carril (G) utilizando el tornillo (DD).

3-4. Coloque el tapón (HH) en la parte superior del carril (G).

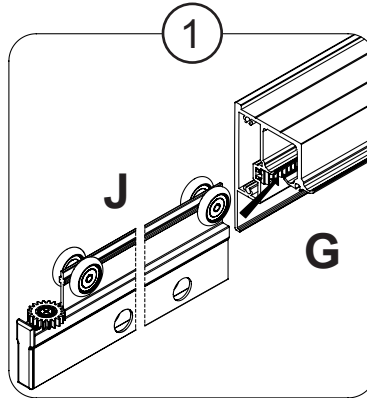
5-7. Coloque la parte superior del carril (G) en el panel fijo (D) y fije el pista (F) utilizando los tornillos (CC).



INSTALACIÓN DEL PISTA DE MARCO

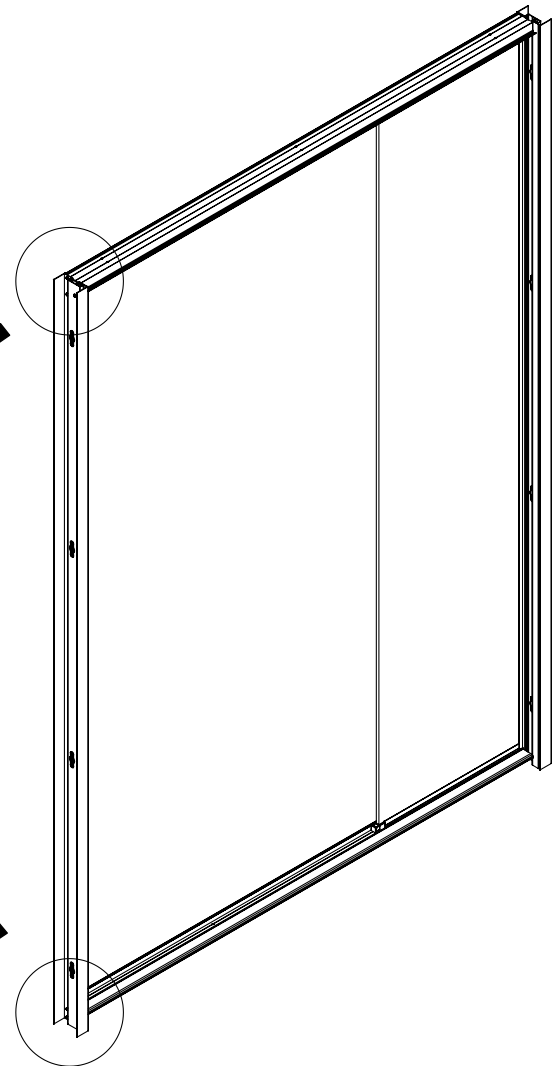
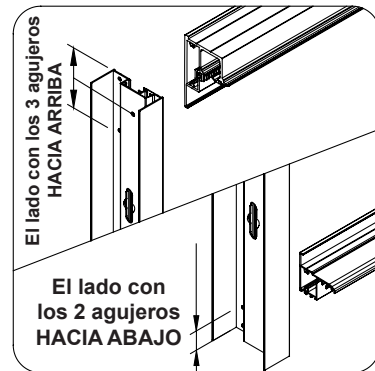
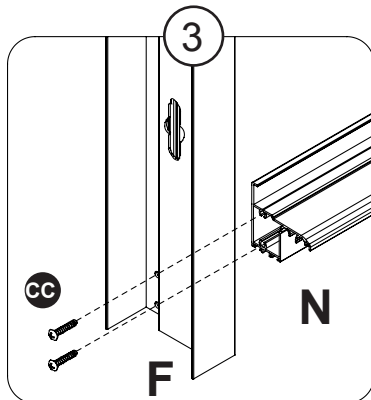
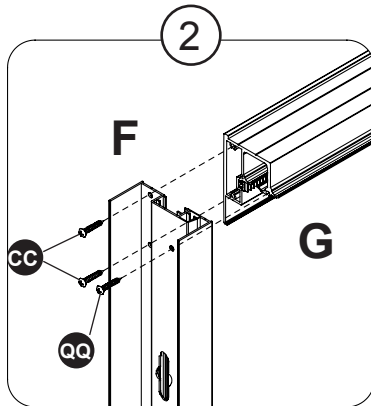
1. Deslice el riel de rodadura (J) del panel de vidrio en la parte superior del carril (G).

2-3. Instale el pista (F) en la parte superior del carril (G) y el parte inferior del carril (N) utilizando los tornillos (CC & QQ).



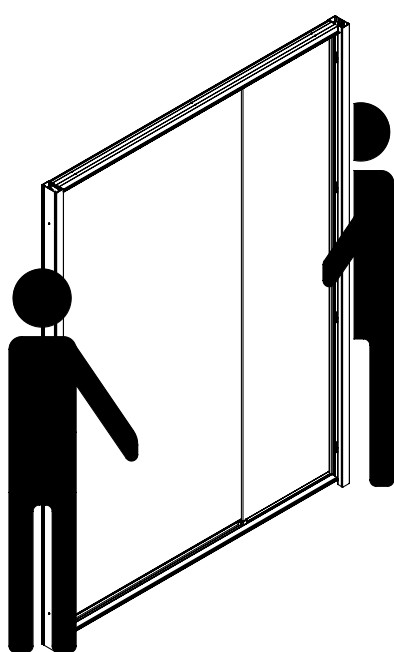
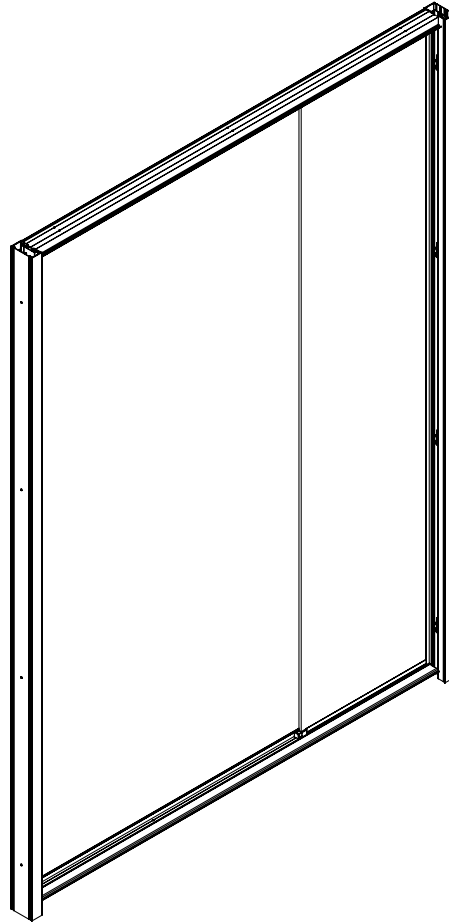
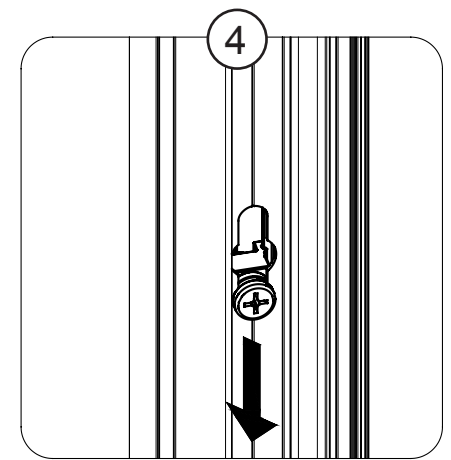
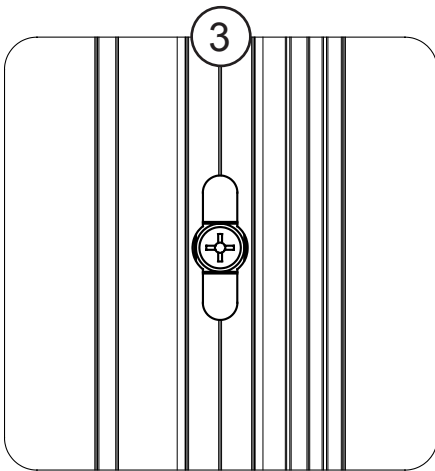
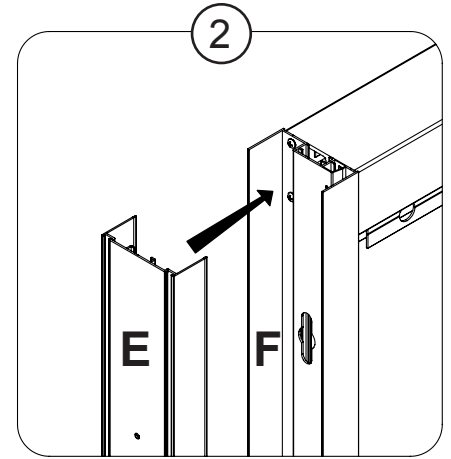
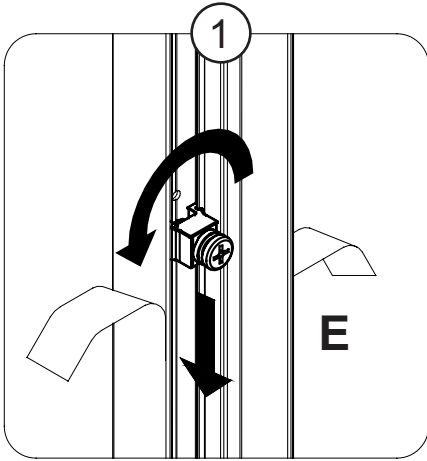
Consejos útiles

Utilice una
escalera para
facilitar la
instalación.

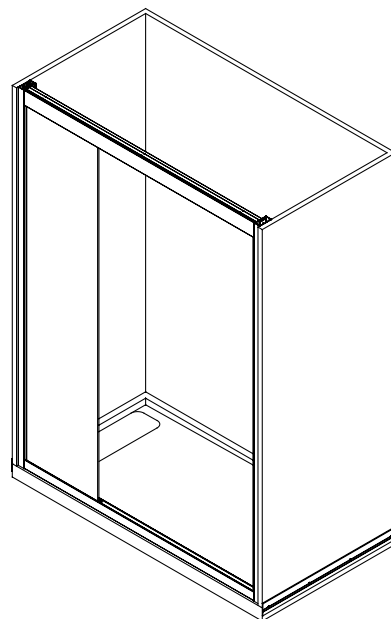


INSTALACIÓN DEL PISTA DE LA PARED

1. Retire la película protectora de los pistas de la pared (E), afloje los tornillos de plástico y colóquelos en la parte de abajo en su ranura.
- 2-3. Coloque los pistas de la pared (E) en los pistas (F) ajustando la posición de los tornillos de plástico.
4. Bloquee los pistas juntos empujando el tornillo de plástico hacia abajo en la ranura del pista (F).
5. Coloque toda la ducha sobre la base.



5



INSTALACIÓN DEL PISTA DE LA PARED

1-2. Mediante los tornillos de plástico en el pista de la pared (E), ajuste el nivel de la estructura de la ducha. También, asegúrese de que encaje cómodamente entre las 2 paredes.

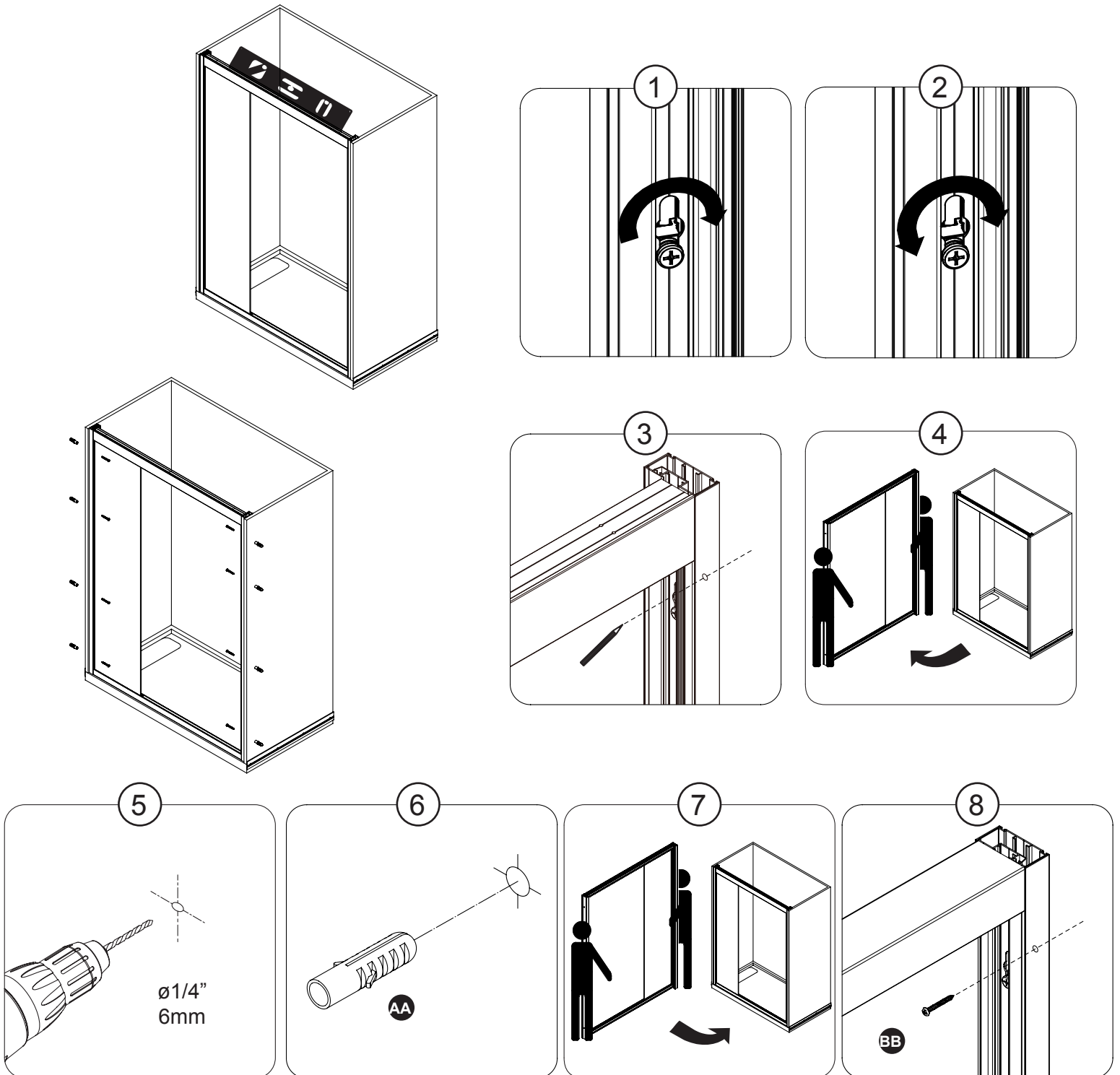
Nota: Un total de 8 tornillos de plástico en el pista de la pared (E) le ayudarán a ajustar el nivel de la estructura de la ducha y a hacer que encaje cómodamente entre las 2 paredes.

3. Marque la posición de los agujeros del pista de la pared (E) en la pared.

4-5. Retire la estructura de la ducha y perfore los agujeros piloto con una broca de 1/4" (6mm).

6-7. Inserte los tacos de anclaje (AA) en la pared y vuelva a colocar la estructura de la ducha.

8. Instale los pistas (E) en la pared utilizando los tornillos (BB).



INSTALACIÓN DEL PANEL DE LA PUERTA

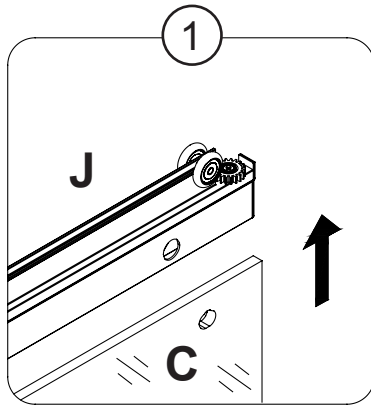
Nota: ¡se requieren 2 personas para los siguientes pasos de instalación!

1-2. Instale el panel de vidrio (C) en el riel de rodadura (J) utilizando los manguitos de fijación para vidrio (EE) y los capuchones (OO). Ajuste el nivel del panel de vidrio utilizando el mecanismo excéntrico de los manguitos de fijación.

3. Coloque el riel inferior de rodamiento (L) en el riel inferior (N).

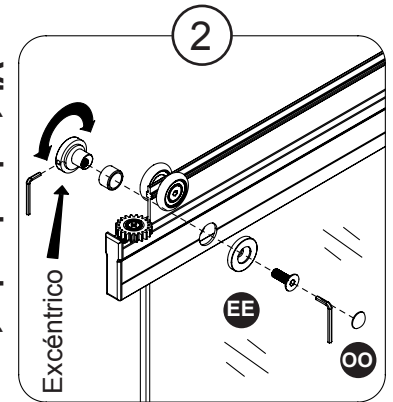
4-5. Fije el riel inferior de rodamiento (L) en el riel inferior (N) utilizando la abrazadera (FF) y el capuchón (GG). Asegúrese de que los rodillos del riel (L) estén en el sitio de pasada del riel inferior (N).

6. Inserte la tira de caucho vertical (O) en el pista (F).

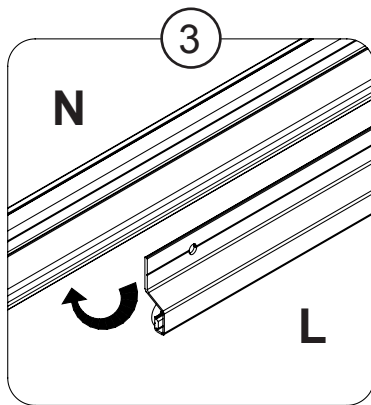


Visto desde adentro

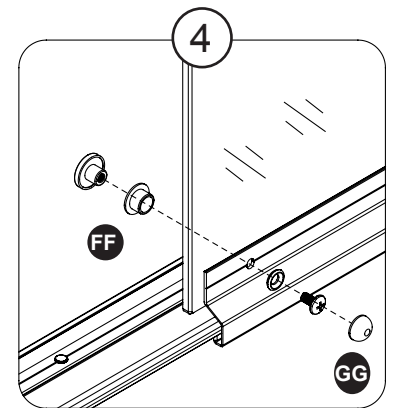
Consejo útil
El panel de vidrio tiene una dirección hacia arriba y hacia abajo: ¡asegúrese de que el lado con los agujeros OVALES estén hacia ARRIBA!



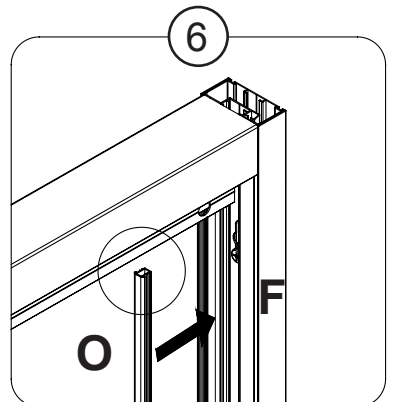
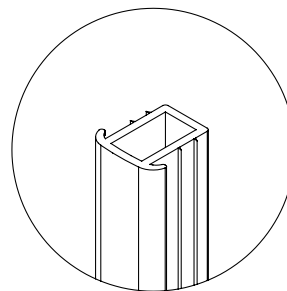
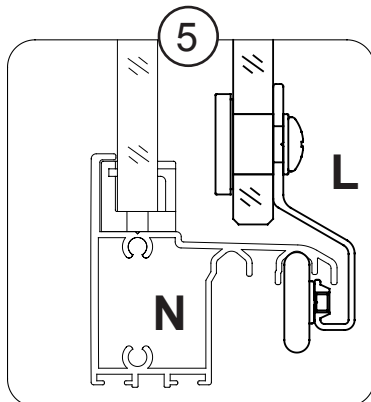
Visto desde adentro



Visto desde adentro



Visto desde adentro



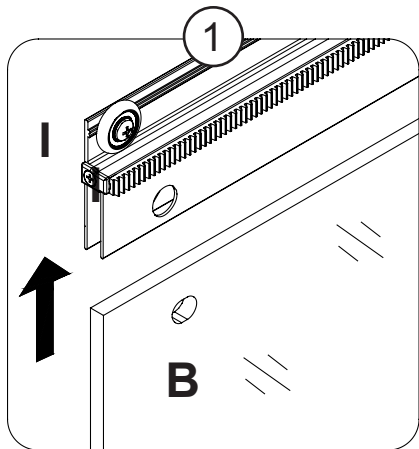
INSTALACIÓN DEL PANEL DE LA PUERTA

1-2. Instale la puerta de la ducha (B) en el riel de rodadura (I) de la puerta utilizando el manguito de fijación (EE) y el capuchón (OO). Ajuste el nivel del panel de vidrio utilizando el mecanismo excéntrico de los manguitos de fijación.

3. Coloque el riel magnético de la puerta (R) en el panel de la puerta (B).

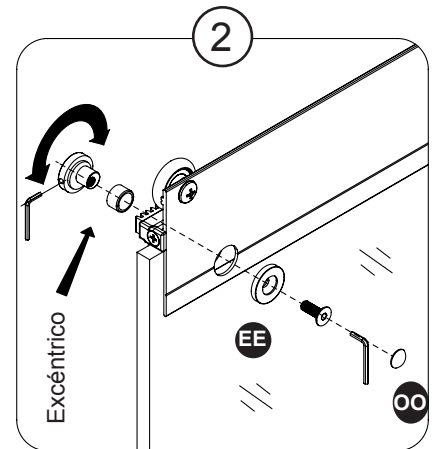
4. Averigüe cual lado de la tira magnética (P) atrae el imán de la puerta (R).

5. Inserte la tira magnética (P) en el pista (F). Asegúrese de insertarla con el lado que atrae frente al imán de la puerta.

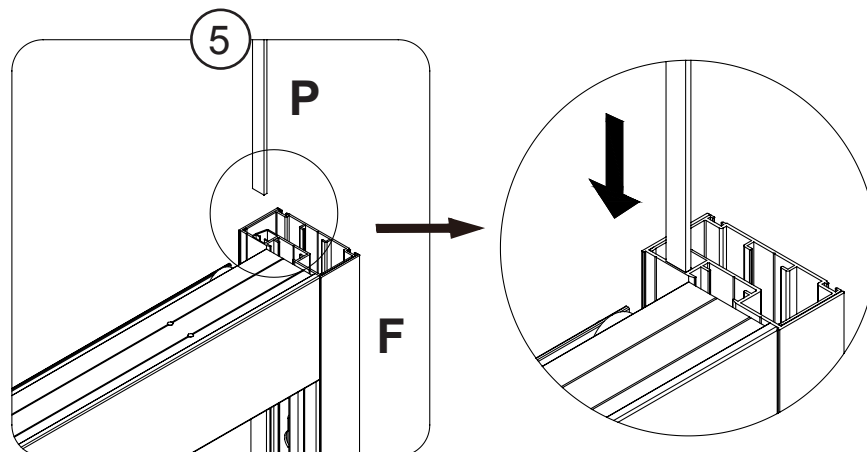
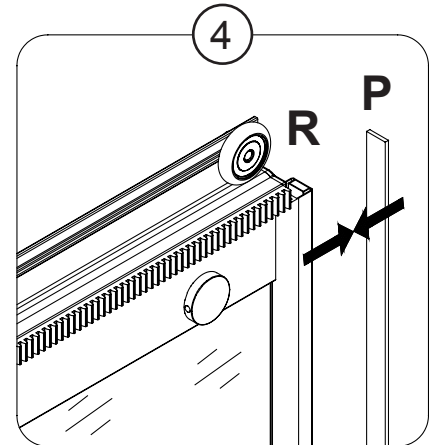
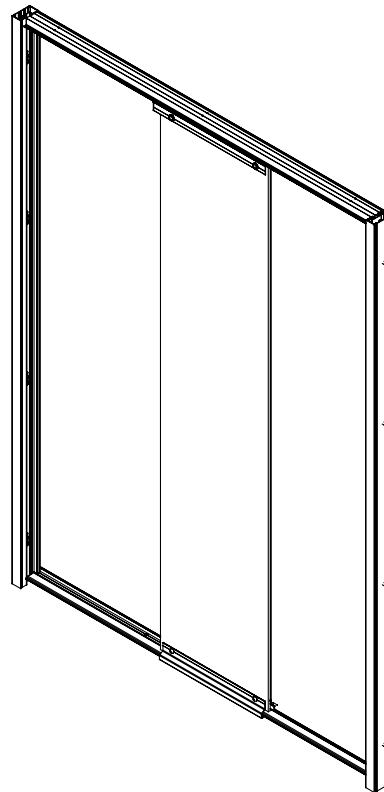
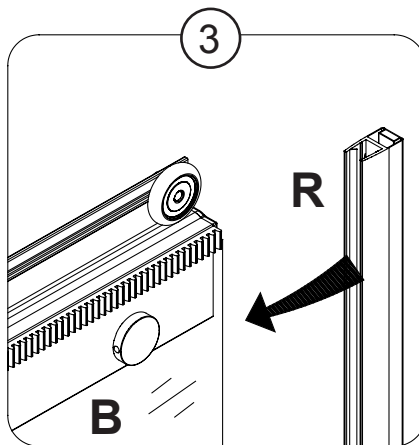


Visto desde adentro

Consejo útil
El panel de vidrio tiene una dirección hacia arriba y hacia abajo: ¡asegúrese de que el lado con los agujeros OVALES estén hacia ARRIBA!



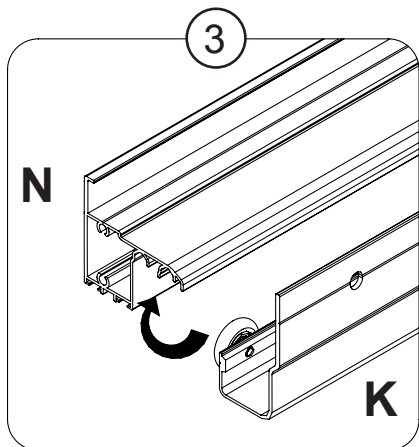
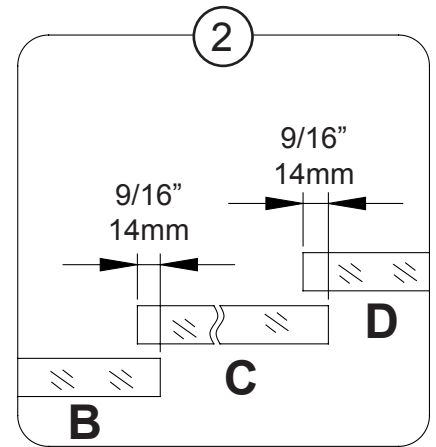
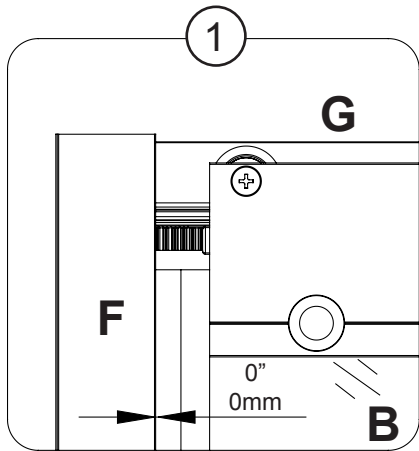
Visto desde adentro



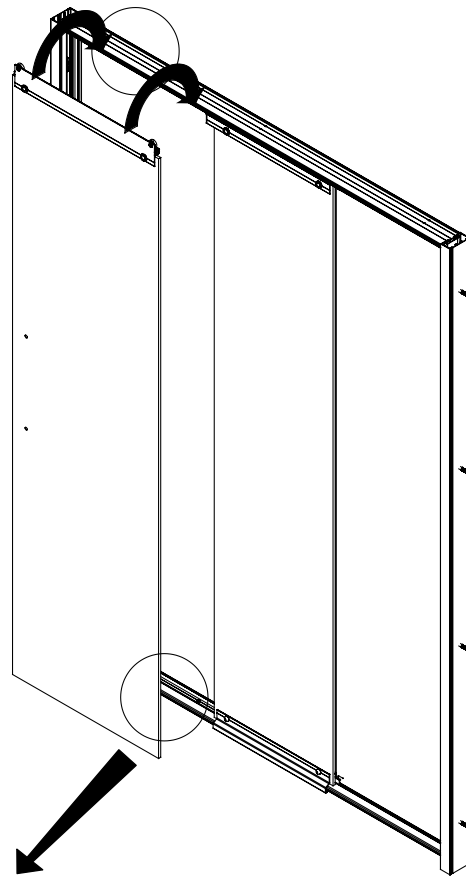
INSTALACIÓN DEL PANEL DE LA PUERTA

1-2. Coloque la puerta (B) en el riel (G); asegúrese de que la puerta se pueda cerrar bien y que las distancias entre los paneles (B y C y D) sean de aproximadamente 9/16" (14mm).

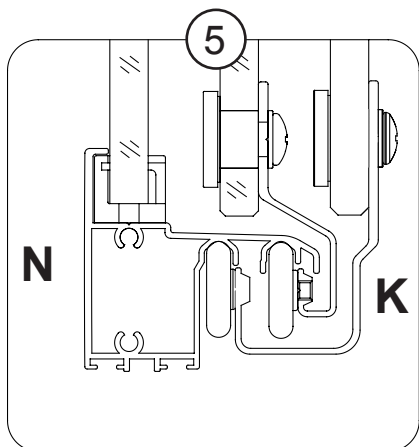
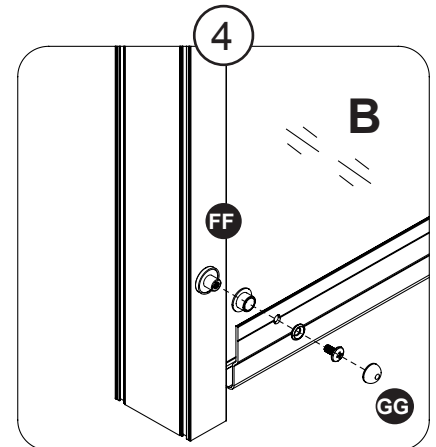
3-5. Instale el riel de rodadura inferior (K) de la puerta en el parte inferior del carril (N) utilizando el manguito de fijación (FF) y el capuchón (GG). Asegúrese de que los rodillos del riel (K) estén en el sitio de pasada del riel inferior (N).



Visto desde adentro

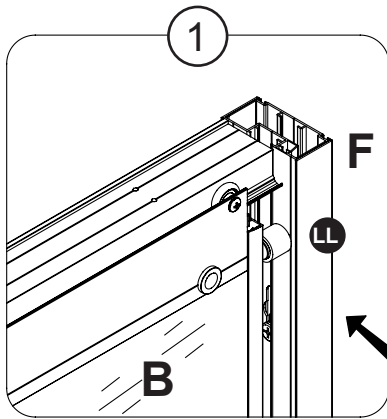


Visto desde adentro

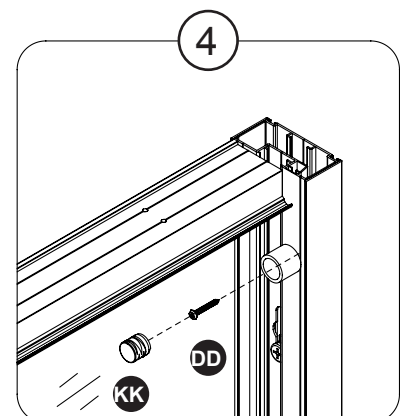
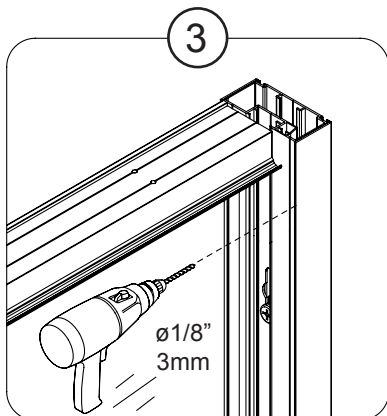
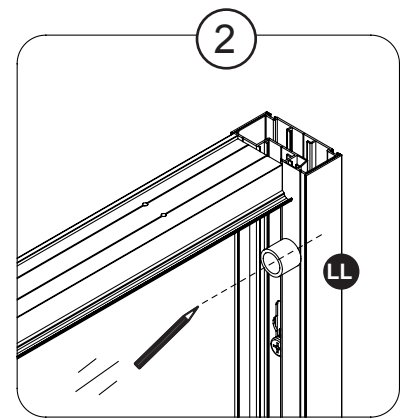


INSTALACIÓN DE LOS RETENEDORES Y LAS TIRAS

1. Coloque el retenedor (LL) en el pista (F) en el lado del panel fijo. Busque la posición correcta cerrando la puerta contra él. Debe impedir que la puerta golpee el riel, pero no debe impedir el movimiento al abrir y cerrar la puerta.
- 2-3. Marque la posición del retenedor (LL) y perforo los agujeros con una broca de $\varnothing 1/8''$ (3mm).
4. Instale el retenedor (LL) en el pista (F) utilizando los tornillos (DD) e inserte el bloque (KK).

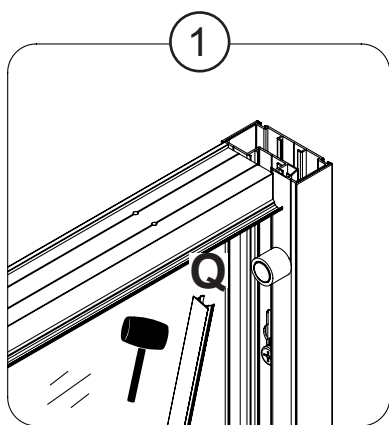


Visto desde adentro

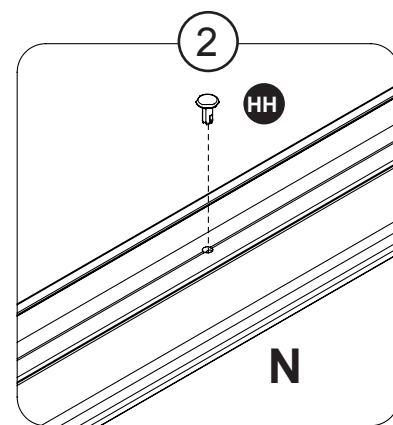


INSTALACIÓN DE LOS RETENEDORES Y LAS TIRAS

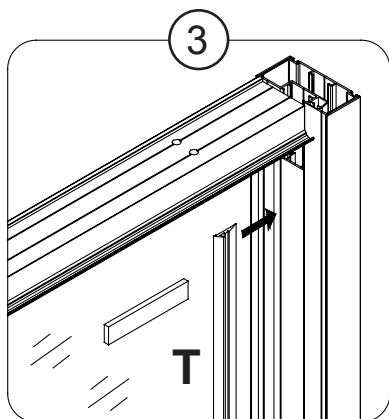
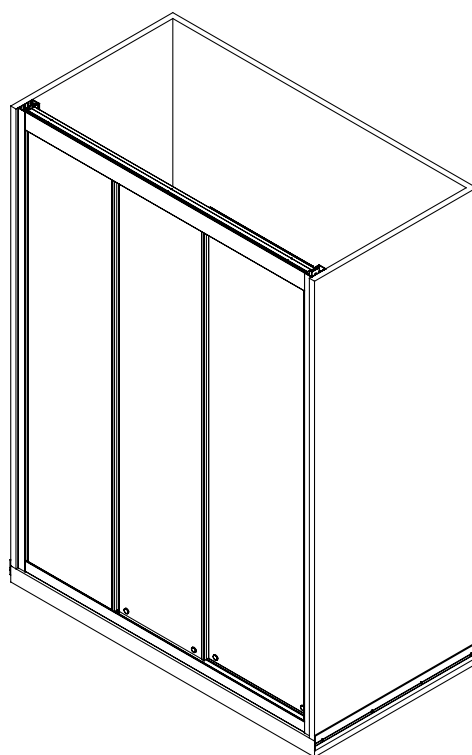
1. Coloque los tapones (Q) en los pistas (F). Utilice un mazo de caucho para facilitar el trabajo.
2. Coloque el tapón (HH) en los parte inferior del carril (N).
3. Coloque la empaquetadura (T) entre el panel fijo (D) y el pista (F). Utilice un pedazo de madera para ayudar ya que estará muy apretado.
4. Instale la tapa (V) del riel superior encima del riel superior (G) utilizando los tornillos (PP).



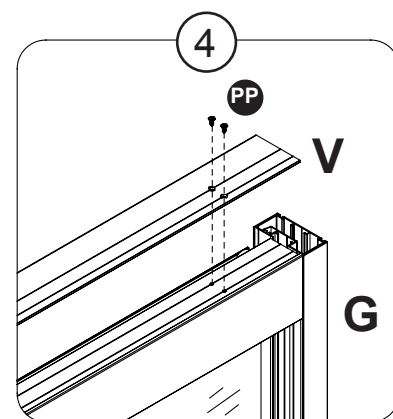
Visto desde adentro



Consejo útil
Utilice un mazo de caucho para empujar las cubiertas desde arriba hasta abajo.



Visto desde adentro

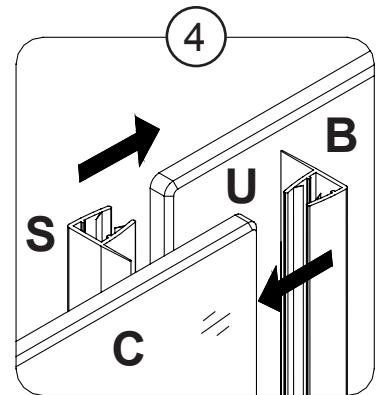
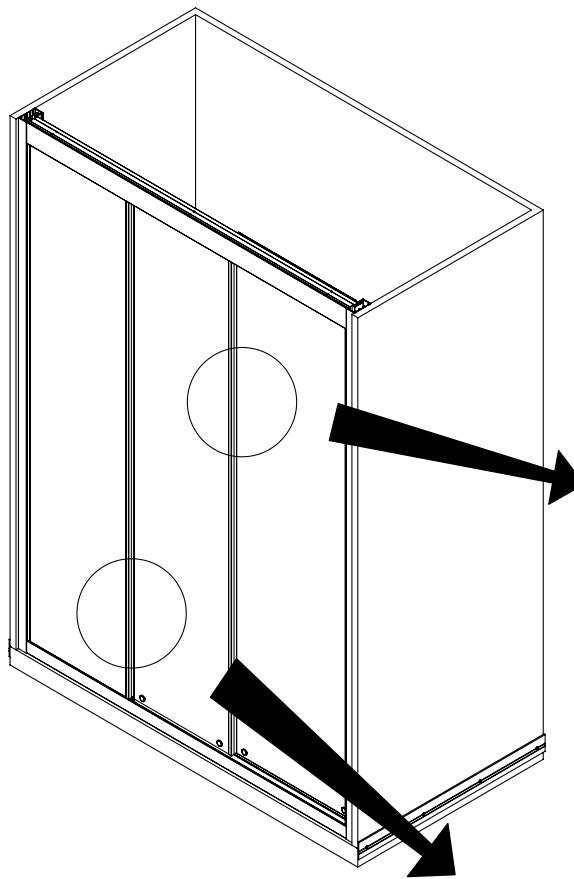
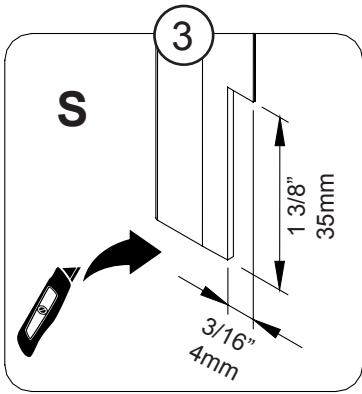
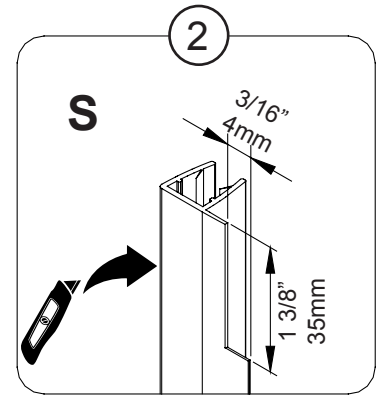
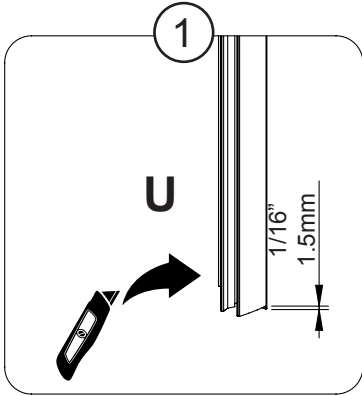


Consejo útil
Utilice la esquina de un pedazo de madera para empujar la empaquetadura hacia adentro, ya que la apertura es muy apretada.

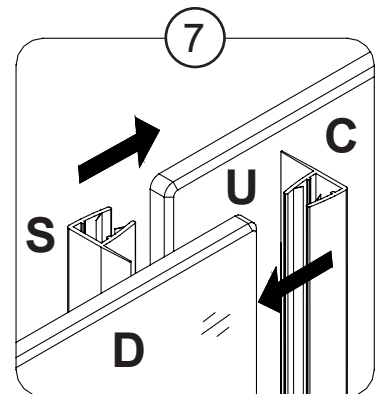
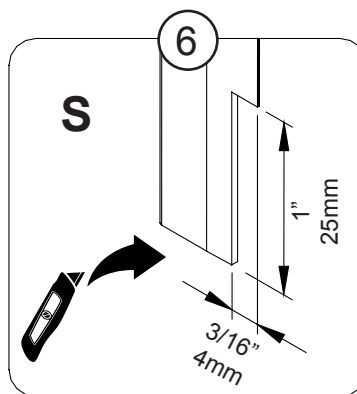
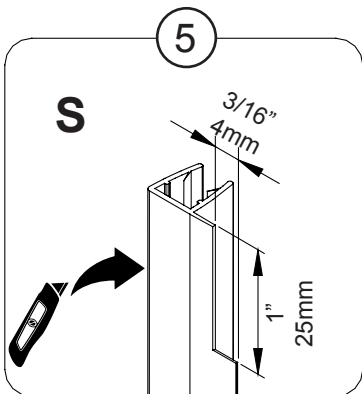


INSTALACIÓN DE LOS RETENEDORES Y LAS TIRAS

1. Corte la parte sobrante de la tira de caucho (U).
- 2-3. Corte la parte sobrante de la tira de caucho (S).
4. Coloque las tiras de caucho verticales (S y U) en los paneles (B y C).
- 5-6. Corte la parte sobrante de la otra tira de caucho (S).
7. Coloque las tiras de caucho verticales (S y U) en los paneles (C y D).



Visto desde afuera



Visto desde afuera

INSTALACIÓN DE LA MANIJA Y SELLADO

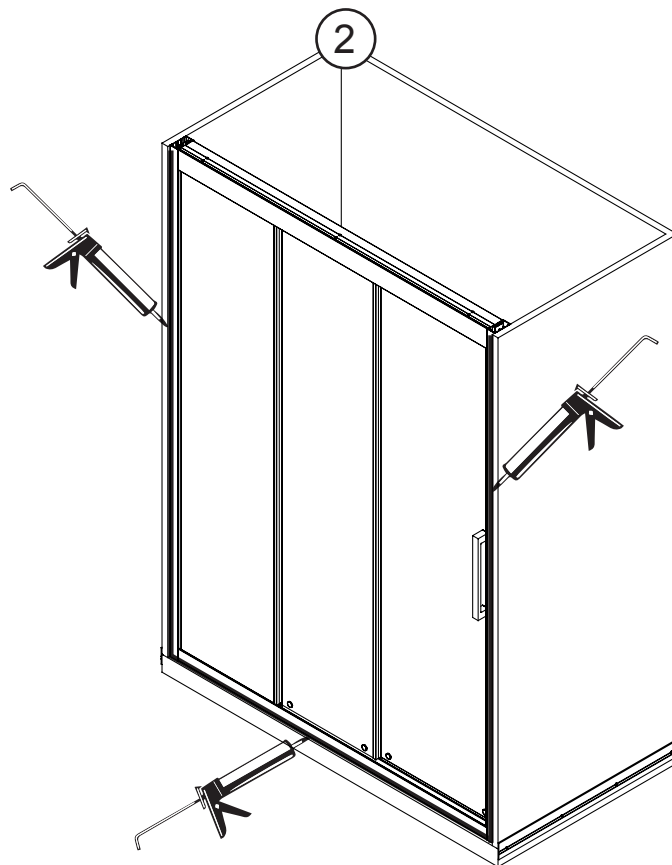
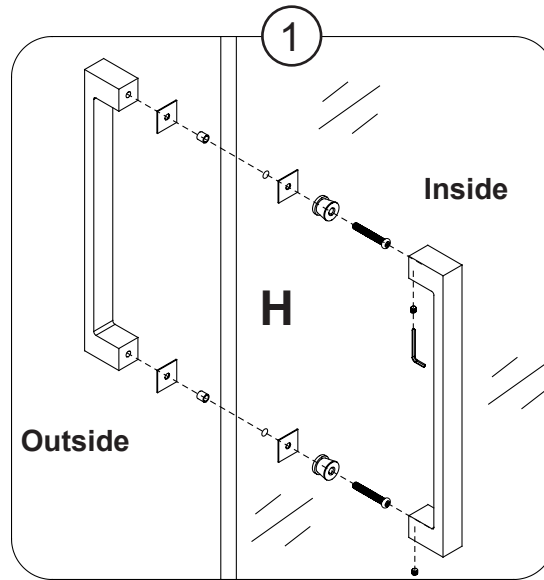
1. Instale la manija (H) de la puerta utilizando la llave Allen.

2. Asegúrese de que la puerta cierre firmemente y abra suavemente y que haya una conexión apretada entre el panel de vidrio y el riel al igual que con la barra se soporte.

Aplique silicona transparente resistente al agua alrededor del perímetro interno y externo de todos los componentes de la ducha (horizontalmente entre la parte inferior del panel de vidrio y la base, al igual que verticalmente (entre la pared, el riel y el panel de vidrio)).

Deje secar la silicona durante 24h.

La aplicación inadecuada de la silicona puede resultar en fugas durante el uso de la ducha.



OVE Decors ULC

Garantía LIMITADA de productos

OVE es un distribuidor de los siguientes productos:

- Puertas de ducha (periodo de garantía de 5 años).
- Superficies acrílicas (periodo de garantía de 5 contra formación de burbujas, grietas o desportilladuras en la superficie de acrílico).
- Estructura de cubierta de acrílico (periodo de garantía de 5 años contra la pérdida de agua a través del laminado de fibra de vidrio del cuerpo de acrílico).
- Accesorios de ducha (manijas, bisagras, clips de soporte de caucho, barras de soporte de metal y rieles murales) (periodo de garantía de 1 año contra defectos en materiales y mano de obra).

Garantía limitada: OVE le garantiza al comprador minorista original que dentro de un tiempo razonable después de la notificación de parte del comprador, OVE reparará o reemplazará el producto, o cualquier pieza o componente del producto cubierto, distribuido por OVE el cual, a la satisfacción de OVE, ha resultado defectuosos en mano de obra o materiales, y el cual ha fallado durante el uso normal y dentro del periodo de garantía. Esta Garantía limitada no se aplica a productos que han sido dañados, o que han fallado como resultado de causas distintas de defectos de fabricación (tales como pero sin limitarse a instalación inadecuada; falta de cuidado o mantenimiento o si éstos son inadecuados; exposición a los elementos incluyendo productos y ambientes corrosivos o agua; alteración; abuso o uso inapropiado. Esta garantía no cubre daños a acabados. La garantía comienza en la primera fecha en que un Producto es comprado por el cliente. Esta garantía se aplica exclusivamente a productos comprados y usados en aplicaciones no comerciales.

Procedimiento de reclamación de garantía: Para hacer una reclamación, sírvase llamar al **1-866-839-2888** para resolver el problema y comenzar el proceso de reclamación, o escribir al correo electrónico **infoovedecors@gmail.com**. Los productos pueden ser inspeccionados o evaluados por OVE y cualquier producto o componente que llegue a cumplir con los criterios de garantía expuestos arriba será reparado o reemplazado a discreción de OVE. Las piezas reemplazadas o reparadas serán enviadas sin costo alguno al cliente por vía terrestre únicamente. Cualquier método de envío acelerado será por cuenta del cliente.

EXONERACIÓN DE RESPONSABILIDAD Y EXCLUSIÓN DE GARANTÍAS: Esta garantía es considerada la exposición completa y exclusiva de los términos de todas las garantías limitadas ofrecidas por OVE.

Hasta donde lo permita la ley, fuera de la garantía expresa detallada en este instrumento, NO HAY GARANTÍAS, EXPRESAS NI IMPLÍCITAS, INCLUYENDO GARANTÍAS IMPLÍCITAS DE COMERCIALIDAD O CONVENIENCIA PARA UN FIN PARTICULAR, OFRECIDAS POR OVE.

Esta garantía le da derechos legales específicos. Es posible que también tenga derechos, que pueden variar según legislaciones estatales, provinciales o nacionales pertinentes, que no podrán ser sometidos a renuncia ni ser modificados por la exoneración de responsabilidad mencionada arriba. Excepto lo permitido, la exoneración de responsabilidad no está destinada a generar la renuncia, modificar, liberar o limitar la aplicabilidad de legislaciones preventivas estatales, provinciales o nacionales inconsistentes con los términos de esta Garantía limitada y Exoneración de responsabilidad. Sin embargo, hasta donde la ley lo permita, ninguna garantía implícita de comercialidad o conveniencia es considerada bajo la presente garantía. No obstante la Exoneración de responsabilidad, si cualquier garantía implícita es impuesta por la operación de la ley, hasta donde se permita, la duración de dichas garantías implícitas está limitada al término más corto de la garantía expresa o el estatuto aplicable de limitaciones.

Los Productos mencionados arriba están destinados a ser instalados y utilizados para fines personales y consumo residencial. El uso del producto para cualquier otro fin, como fines comerciales anulará esta garantía. La Garantía limitada es aplicada únicamente a los Productos detallados en esta garantía, y no se da ninguna garantía a productos no distribuidos por OVE. Esta garantía es aplicable únicamente al primer comprador minorista.

Transferibilidad: Esta garantía no es transferible.

LIMITACIÓN Y EXCLUSIÓN DE REMEDIOS Y DAÑOS: La única responsabilidad de OVE bajo esta Garantía limitada será la reparar o reemplazar, a su discreción, cualquier Producto o componente defectuoso. El comprador acepta que éste es el remedio único y exclusivo bajo esta Garantía limitada. OVE no será responsable de ningún daño incidental, resultante, especial o indirecto, incluyendo pérdida de uso como resultado de cualquier defecto de fabricación en el Producto. OVE no será responsable de mano de obra, ni de cualquier otro costo asociado al retiro o a la instalación de piezas bajo garantía. Algunas legislaciones estatales, provinciales o nacionales no permiten la exclusión de daños incidentales o resultantes, entonces puede que esta limitación no se aplique a usted.

Modificación de productos: OVE se reserva el derecho de cambiar, modificar o mejorar los Productos sin la obligación de incorporar dichos cambios en Productos previamente vendidos o instalados.

Autoridad y modificación: El vendedor minorista no es agente de OVE y no está autorizado a cambiar o modificar los términos de esta Garantía limitada. Además, el vendedor minorista no podrá obligar a OVE ni hacer declaraciones o promesas respecto al Producto, que puedan comprometer a OVE.

MANTENIMIENTO

Para mantenimiento diario, utilice un paño húmedo y un limpiador líquido suave.

Nunca utilice abrasivos o limpiadores que contenga acetona, cloro o blanqueadores fuertes, espátulas o cepillos de cerdas metálicas, ni objetos o productos que puedan raspar o deslucir las superficies.

Utilice un trinquete para apretar firmemente a cualquier pernos utilizados para soportar los paneles de vidrio fijos o panel de puertas (pernos de soporte pueden soportar hasta 250 lbf * in de torque).

Compruebe el tornillo de la rueda cada 6 meses y apriete de nuevo si es necesario.