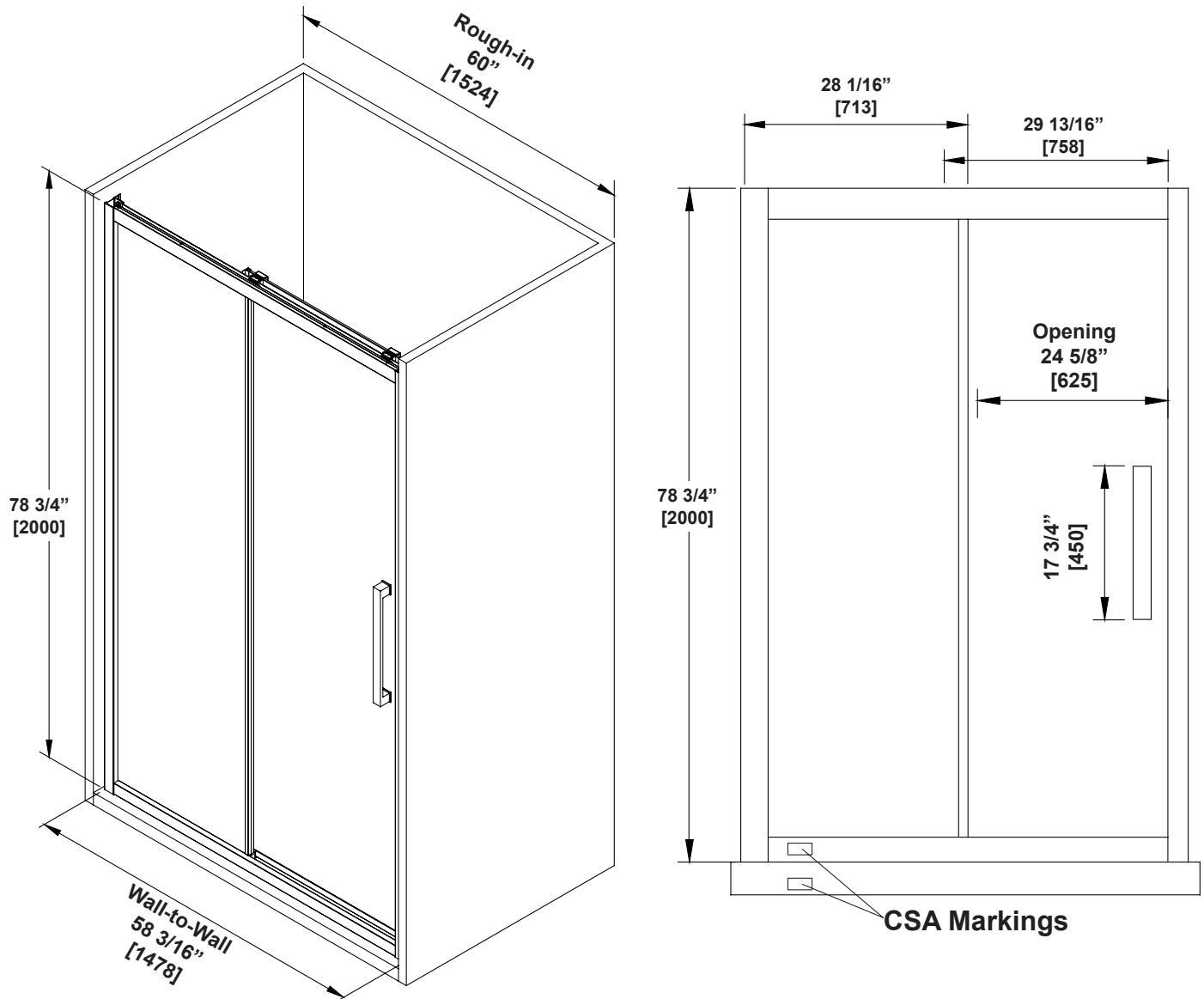


Measures: inch [millimeter]



Purchase date: _____

Product Tracking Reference: _____



Questions, problems, missing parts?

Before returning to your retailer, call our customer service department at
1-866-839-2888, 9 a.m. - 5 p.m., EST, Monday - Friday

SAFETY INFORMATION

CAUTION

Please carefully read the following important safety information before handling or installing this shower. There is a risk of serious injury while handling this product. To minimize these risks, please note:

- Always wear safety glasses and gloves while handling.
- Always read and follow all the steps in the installation instructions.
- Inspect all contents and glass for damage before installation.
- Extreme caution should be taken while handling the glass during installation as the tempered glass may shatter if in contact with a hard surface.
- Handle the tempered glass with caution! Improperly handling the glass can cause it to break suddenly in small pieces (never in pointed fragments).
- Always take all precautions not to touch the tempered glass with any tools during the installation, or after installed.
- Do not cut or modify the tempered glass as it will shatter if cut.
- Carefully remove product from packaging and keep packaging until installation is complete.
- Inspect all parts for damage; if there is damage to the unit prior to installation, please contact customer service at the number provided in this guide.
- Install the shower on a floor that is level and able to accommodate the weight of the unit and an occupant.
- Consult local building codes and compliance standards prior to installation and ensure conformity.
- After installation, and from time to time, check the glass for fit and finish to ensure that nothing has come loose since installation.
- Keep this installation manual for future reference.

NOTICE

- Any modification or alteration from what is specified in this instruction manual will void any and all warranty on this product.
- The distributor is not responsible for any damage to the unit or personal property caused by improper installation. If you disregard instructional warnings, you will void your warranty and possibly deal with water damage.
- Consult www.ovedecors.com for any additional information or question on this product's installation.

PREPARATION

You will need at least two people to install this unit properly.



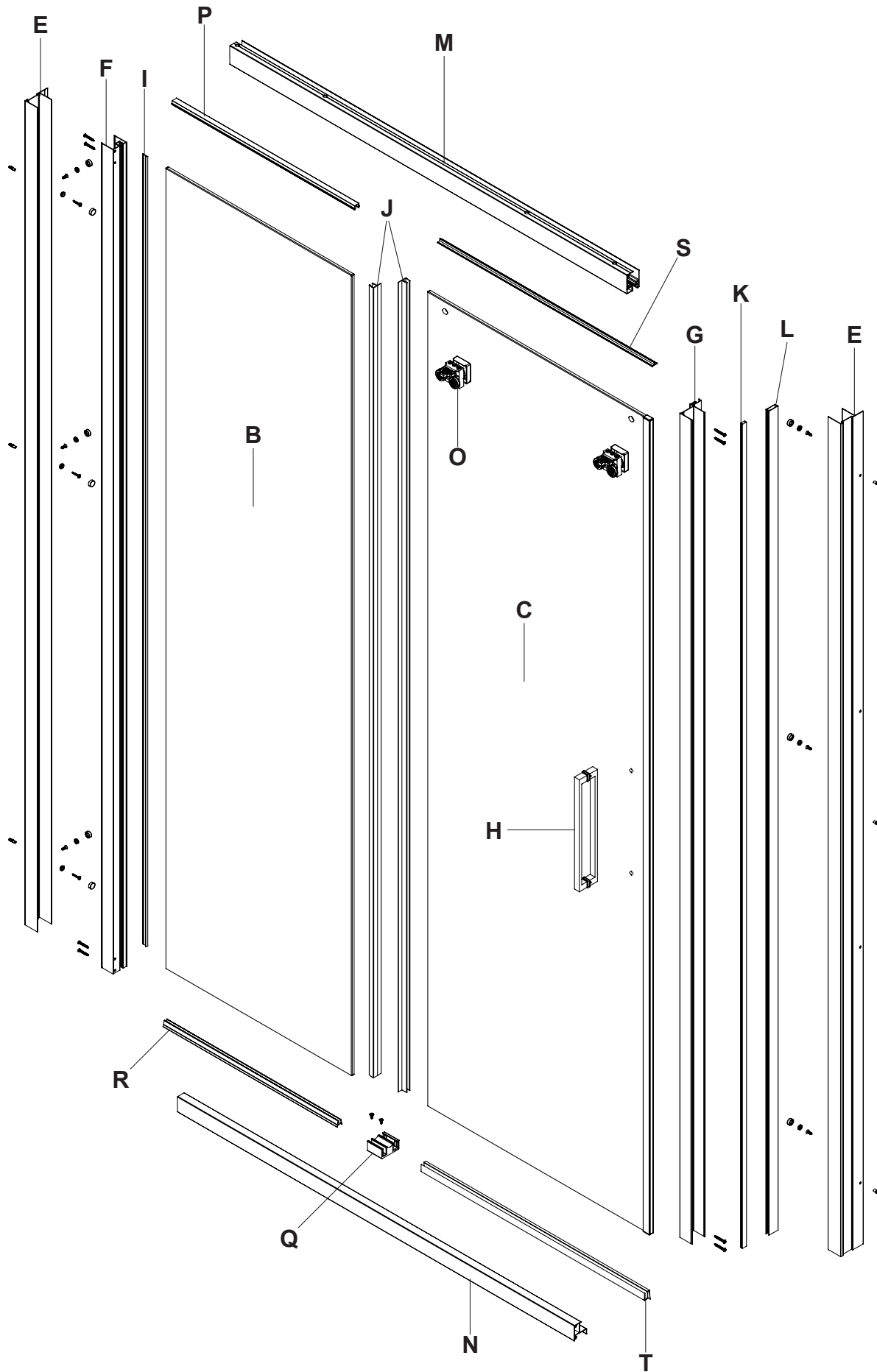
Before beginning assembly of product, make sure all parts are present. Compare parts with package contents list and hardware contents list. If any part is missing or damaged, do not attempt to assemble the product.

Estimated Assembly Time: Shower (60 min).

TABLE OF CONTENT

PACKAGE CONTENT.....	5
HARDWARE CONTENT.....	6
TOOLS REQUIRED.....	6
SHOWER REVERSIBILITY.....	7
BASE INSTALLATION GUIDELINES (OPTIONAL).....	8
SHOWER FRAME INSTALLATION.....	9
WALL TRACK INSTALLATION.....	13
DOOR INSTALLATION.....	15
HANDLE INSTALLATION & SEALING.....	17
LIMITED PRODUCT WARRANTY.....	18
CARE AND MAINTENANCE.....	18

PACKAGE CONTENT

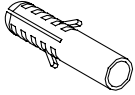


PACKAGE CONTENT

PART#	DESCRIPTION	QTY	CODE
B	Fixed panel	1	99SG10058-WM
C	Door panel	1	99SGD0044-WM
E	Wall track	2	99STR0035-WM
F	Wall jamb	1	99STR0036-WM
G	Corner track	1	99SRU0148-WM
H	Door handle	1	99SHA1035-WM
I	Gasket	1	99SRU0149-WM
J	Glass panel's vertical seal strip	2	99SRU0150-WM
K	Magnetic strip	1	99SRU0151-WM
L	Magnetic strip cover	1	99SGC0043-WM
M	Top metal track	1	99SGS0030-WM
N	Bottom metal track	1	99SGS0031-WM
O	Door top roller	2	99SWE0026-WM
P	Fixed panel's top seal strip	1	99SRU0157-WM
Q	Sliding door guide (with its rubber fitting)	1	99SGC0044-WM
R	Fixed panel's bottom seal strip	1	99SRU0158-WM
S	Door top aluminum strip	1	99STR1051-WM
T	Door bottom seal strip	1	99SRU0159-WM
U	Hardware content	1	99SHW0117-WM

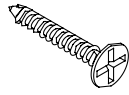
HARDWARE CONTENT

AA



Wall Anchor
ø6x30mm
6+2

BB



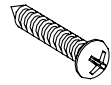
Screw
ST4x30mm
6+2

CC



Screw
ST4x12mm
8+2

DD



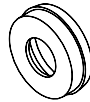
Screw
ST4x20mm
8+2

EE



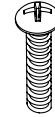
Cap
12x

FF



Fitting
12x

GG



Bolt
M4x30mm
2x

TOOLS REQUIRED



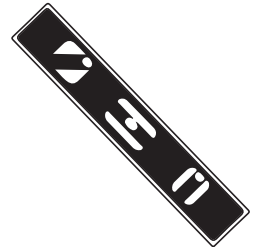
Pencil



Screwdriver



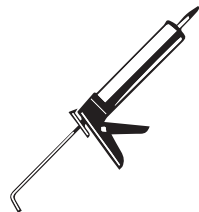
Drill with ceramic tile bit
ø1/8" (3mm) & ø1/4" (6mm)



Level



Measuring Tape



Silicone



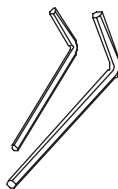
Rubber mallet



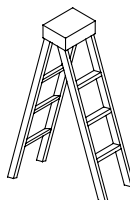
Cutter



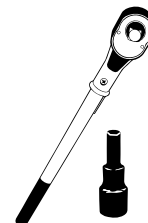
Safety glasses



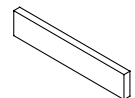
Allen key
2.5 & 4 & 5mm



Ladder



Ratchet
5mm Bit socket

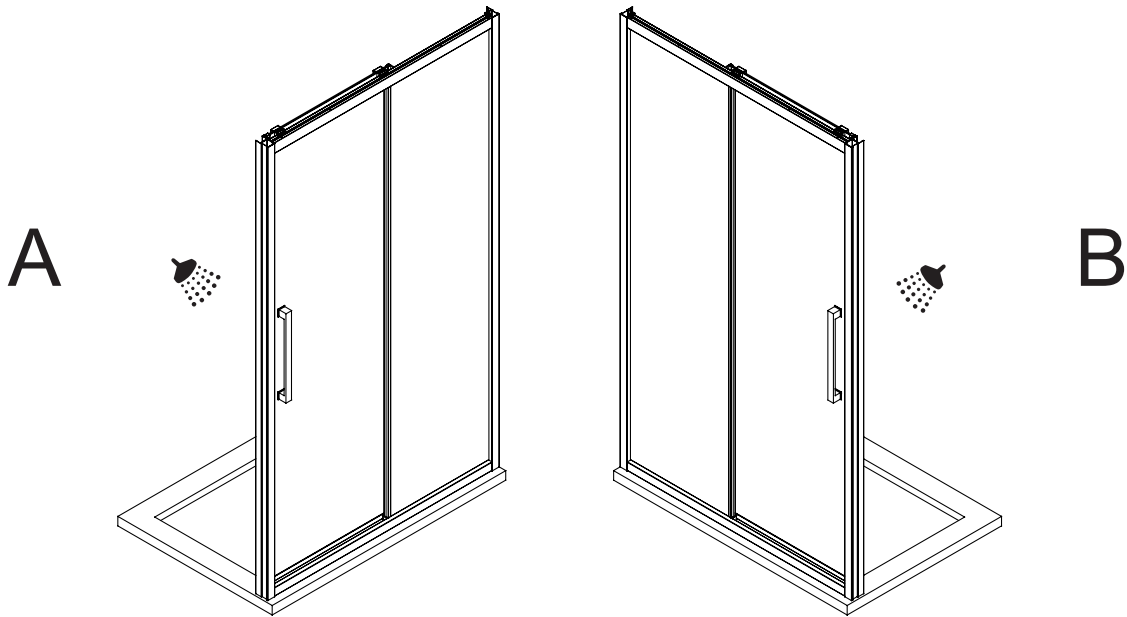


Wood stick

SHOWER REVERSIBILITY

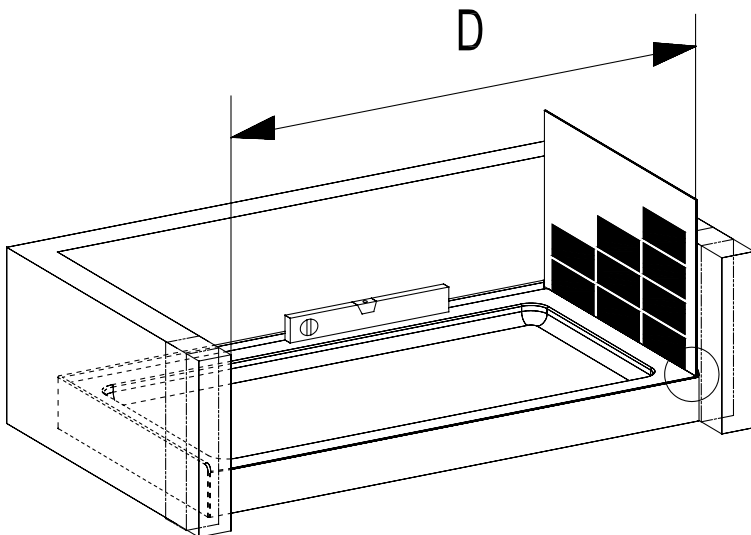
- This instruction is drawn up for an opening from right to left (see illustration B).
- For an installation from left to right (see illustration A), use the same instructions, but switch around the panels: mirror effect.

! Install the shower head on the door's side! This will reduce the risk of leaking.



WALL TO WALL MEASURES

- Measure the thickness of your tiles on either side before installing the metal tracks. A thicker tile will limit your space to install the shower panels.
- Make sure to have a tile to tile distance (D) between 1478mm (58 3/16 in) min. and 1493mm (58 3/4 in) max. (see image).

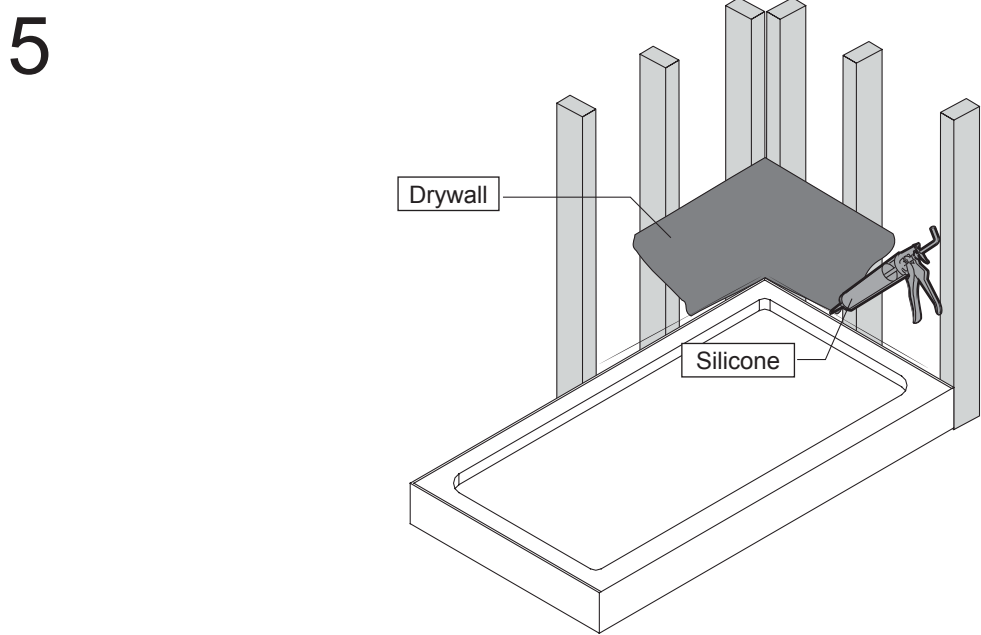
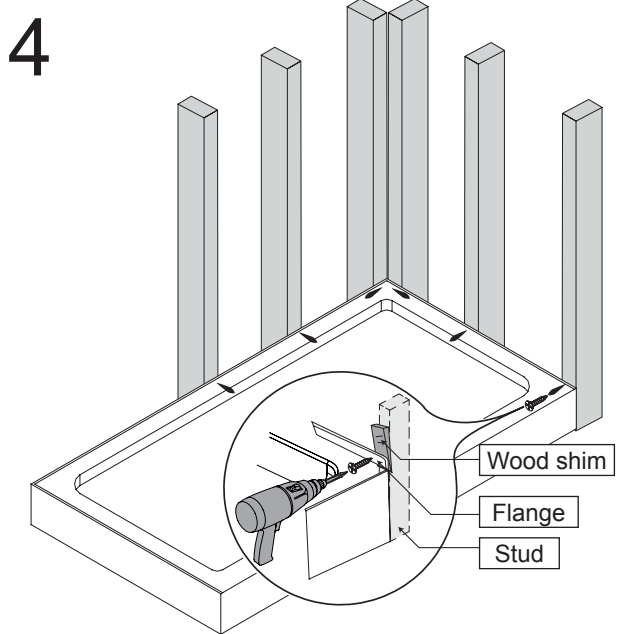
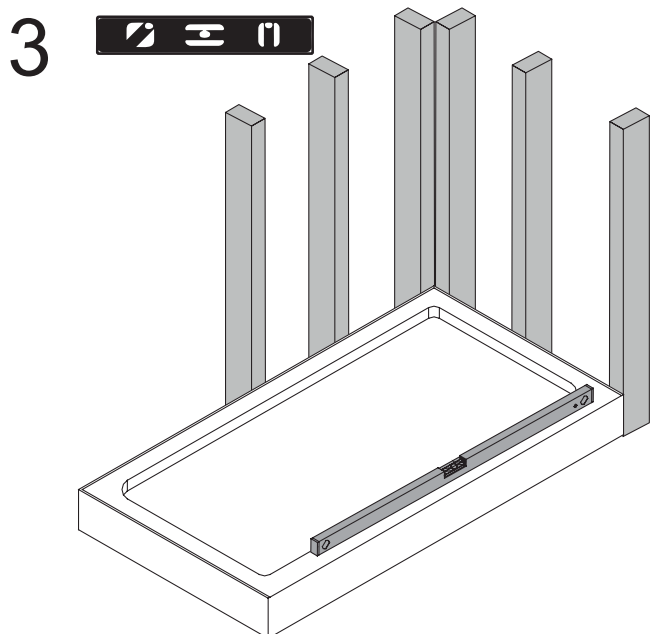
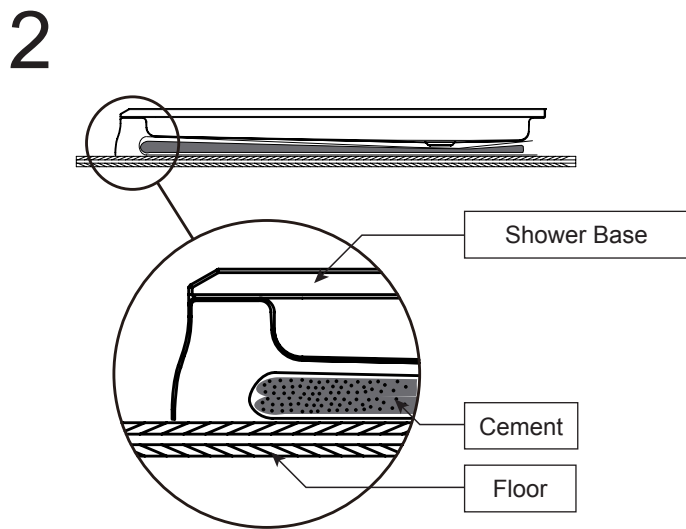
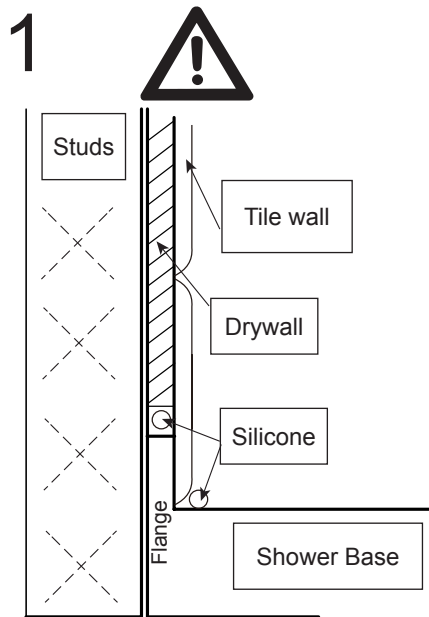


Make sure to have a distance (D) from the left side tile to the right side tile:

D Min: 1478mm (58 3/16 in)

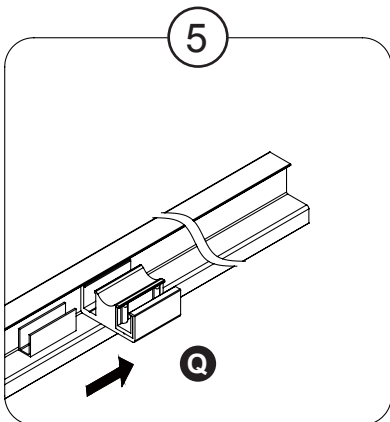
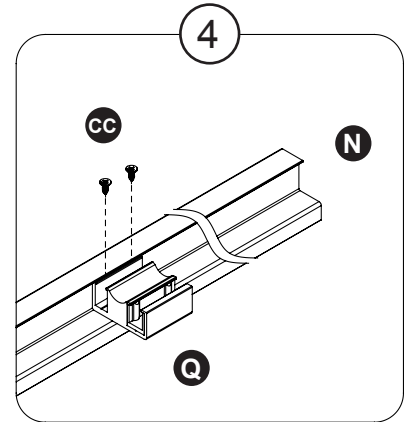
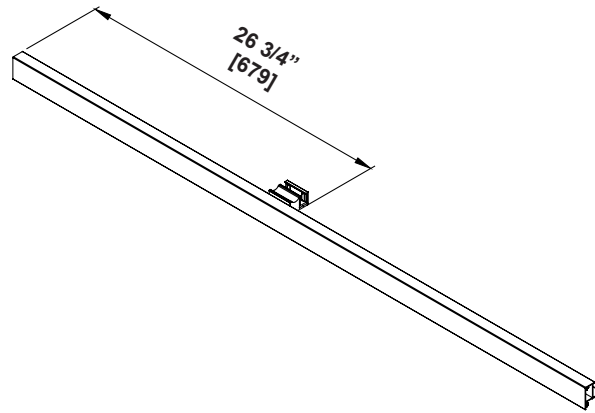
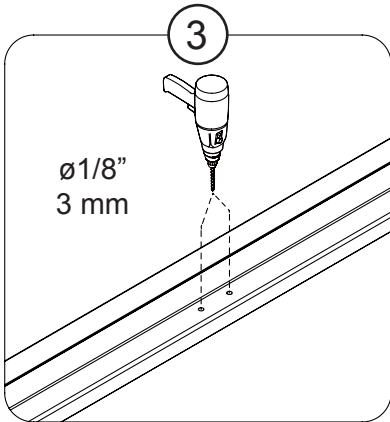
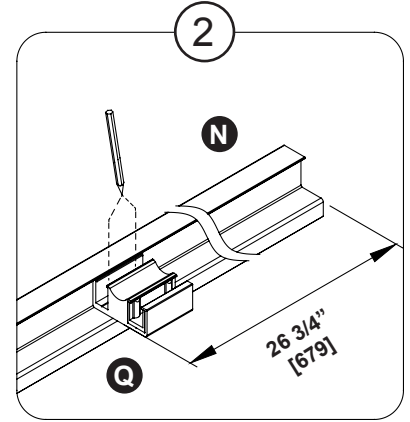
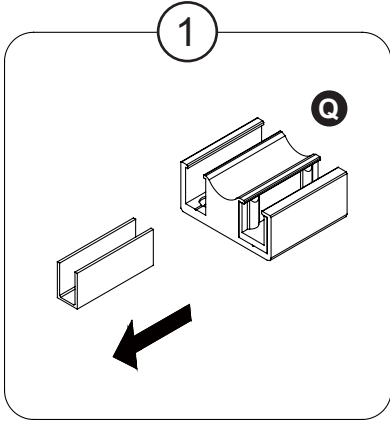
D Max: 1493mm (58 3/4 in)

BASE INSTALLATION GUIDELINES (OPTIONAL)



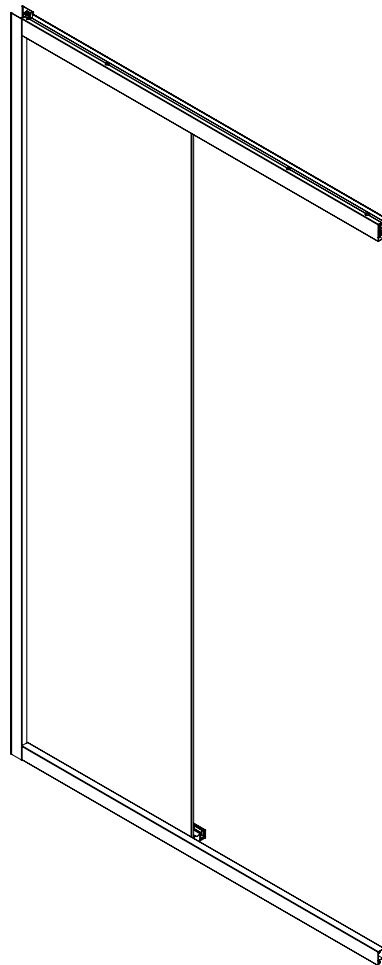
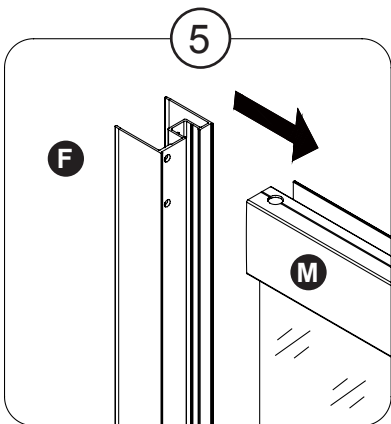
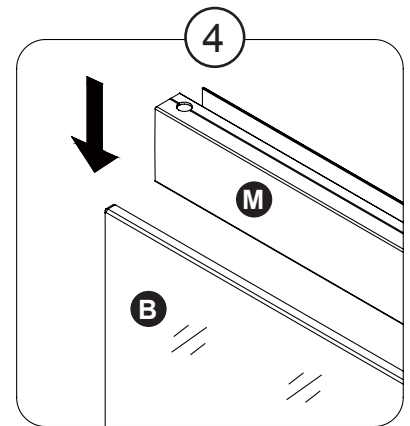
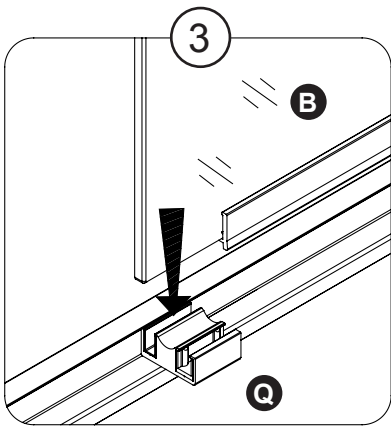
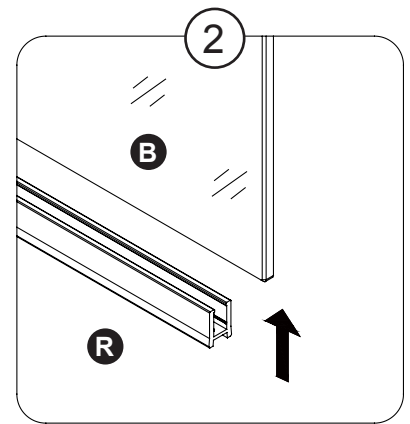
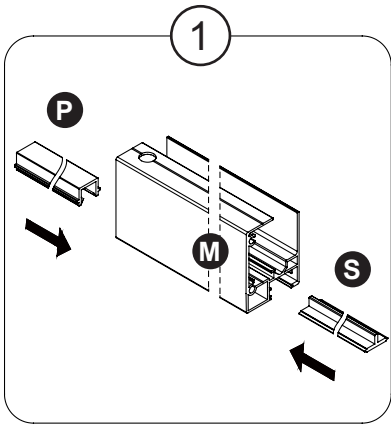
SHOWER FRAME INSTALLATION

1. Take the rubber fitting out of the sliding door guide (Q).
2. Place the sliding door guide (Q) on the bottom metal track (N) and mark the positions of the 2 holes.
3. Drill pilot holes with a $\varnothing 1/8''$ (3mm) drill bit.
4. Secure sliding door guide (Q) with screws (CC).
5. Put the rubber fitting back to the sliding door guide (Q).



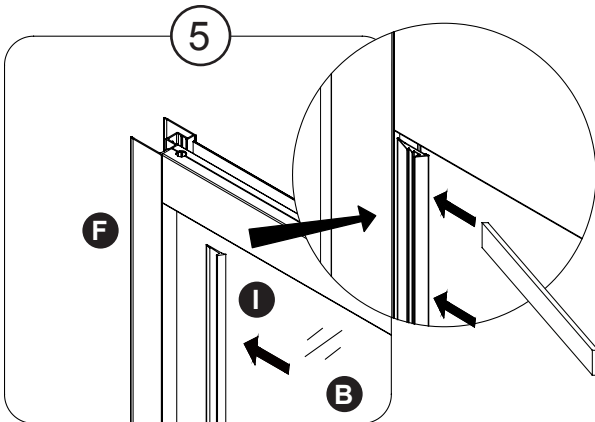
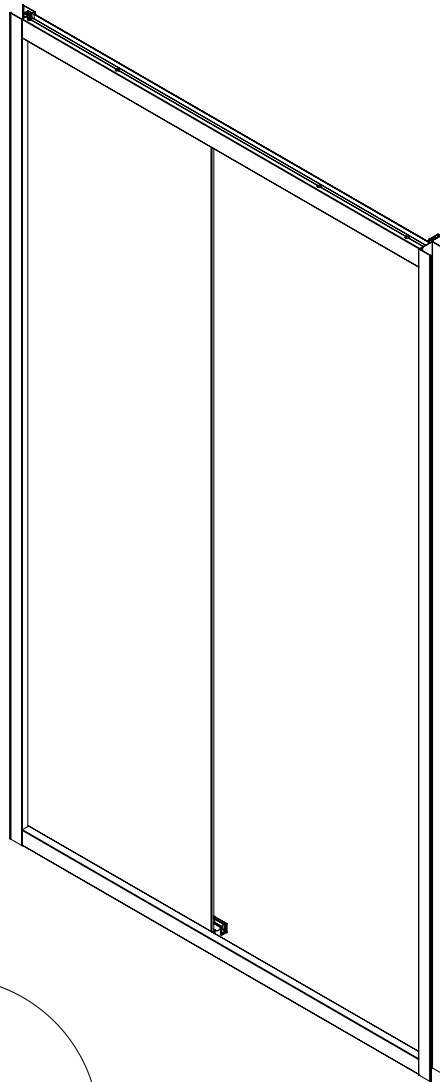
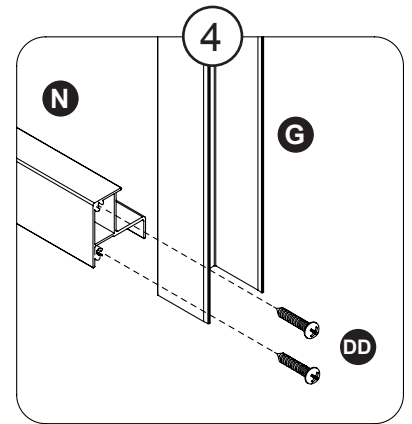
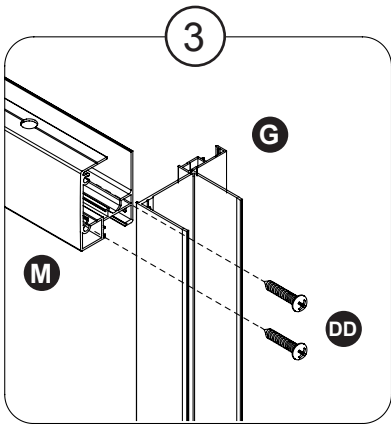
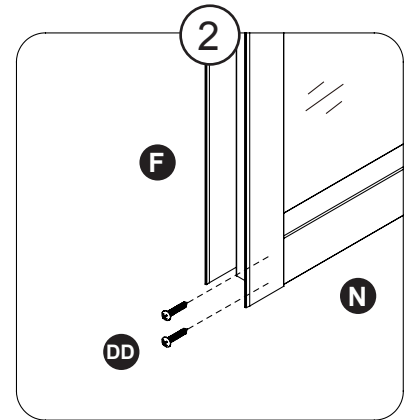
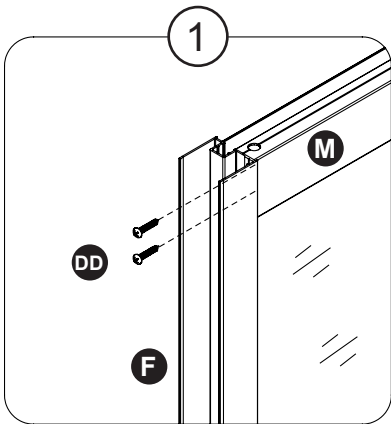
SHOWER FRAME INSTALLATION

1. Insert the fixed panel's top seal strip (P) and the door top aluminum strip (S) into the top metal track (M).
2. Insert the fixed panel's bottom seal strip (R) at the base of the fixed panel (B).
3. Place the fixed panel (B) into the sliding door guide (Q).
- 4-5. Place the top metal track (M) and the wall jamb (F) on the fixed panel (B).



SHOWER FRAME INSTALLATION

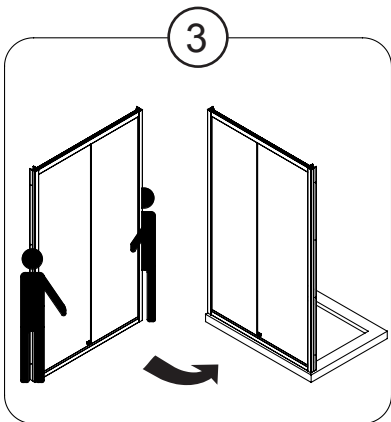
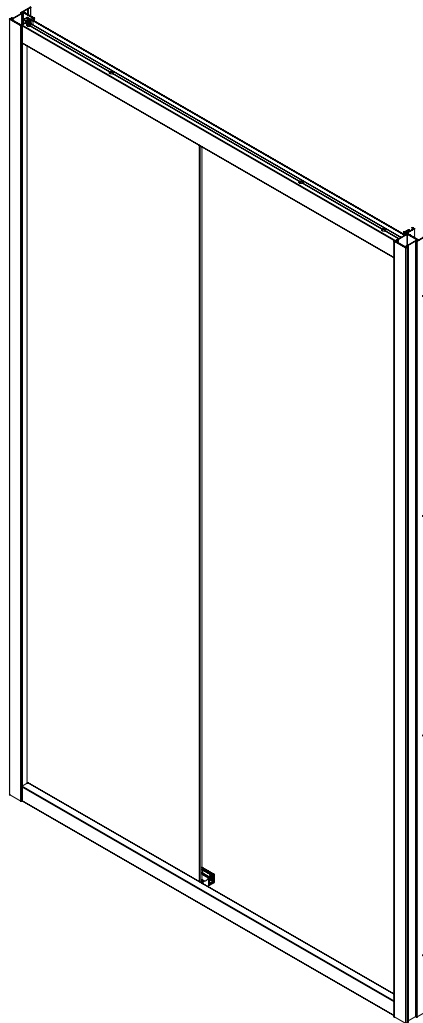
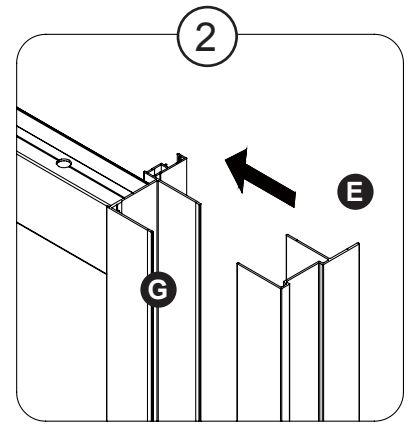
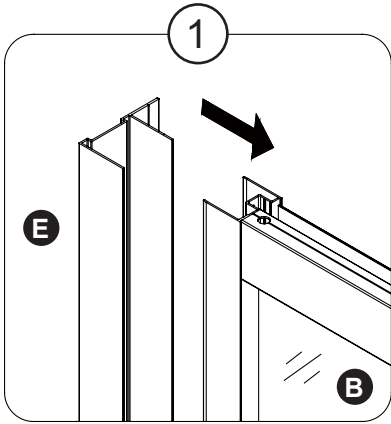
- 1-2. Install the wall jamb (F) on the top metal track (M) and the bottom metal track (N) using the screws (DD).
- 3-4. Install the corner track (G) on the top metal track (M) and the bottom metal track (N) using the screws (DD).
5. Place the gasket (I) between the fixed panel (B) and the wall jamb (F). Use a wood stick for help as it will fit tightly.



Helpful Hint
Use a ladder to facilitate the installation.

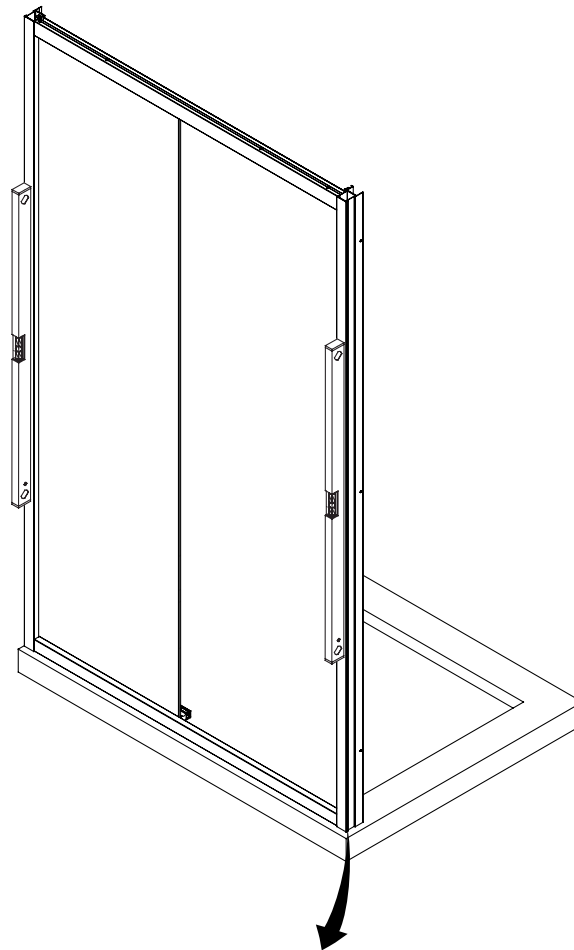
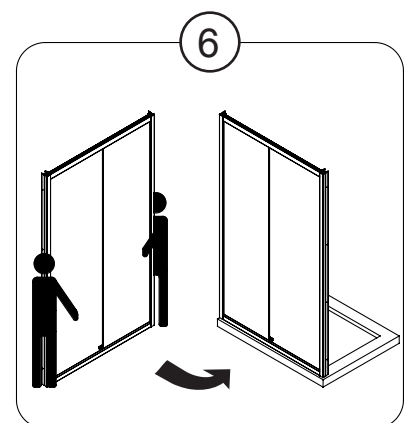
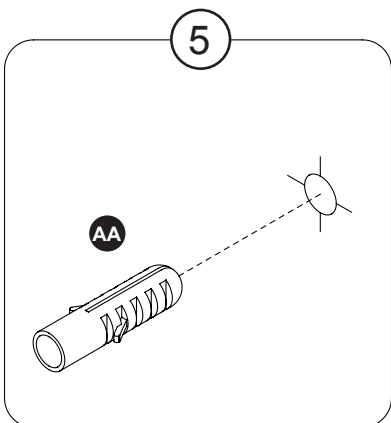
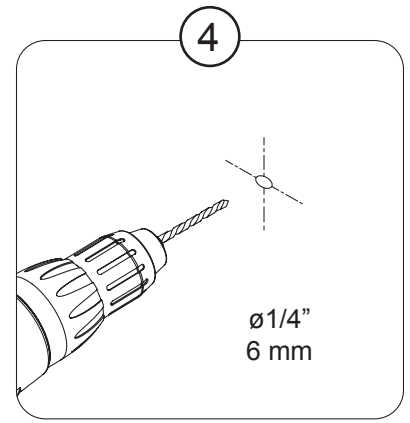
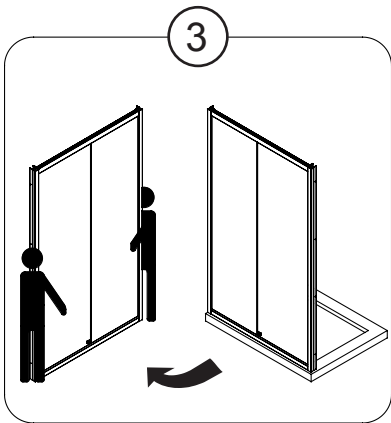
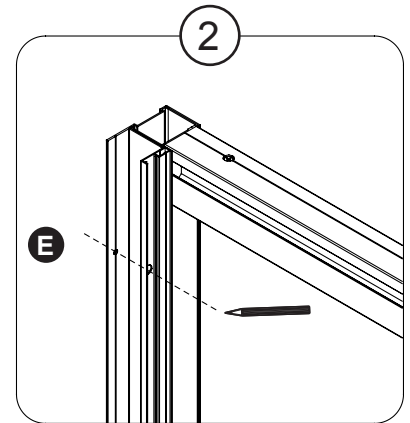
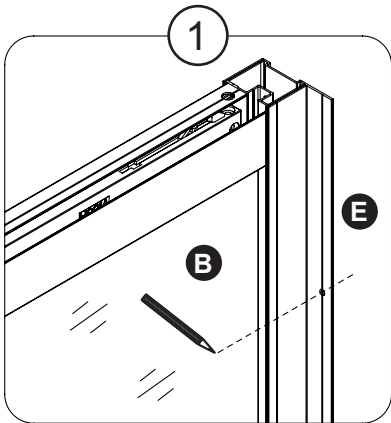
SHOWER FRAME INSTALLATION

- 1-2. Place the 2 wall tracks (E) on the fixed panel (B) and the corner track (G).
3. Place the whole shower frame onto the base.



WALL TRACK INSTALLATION

- 1-2. Ensure the base and shower frame are leveled. Mark the position of the holes of the wall tracks (E) on the wall.
3. Remove the shower frame.
- 4-5. Drill pilot holes in the marked locations with a $\text{\textcircled{0}}1/4''$ (6mm) drill bit. Insert the wall anchors (AA) using a rubber mallet until the wall anchors are flush with the wall.
6. Replace the whole shower frame onto the base.



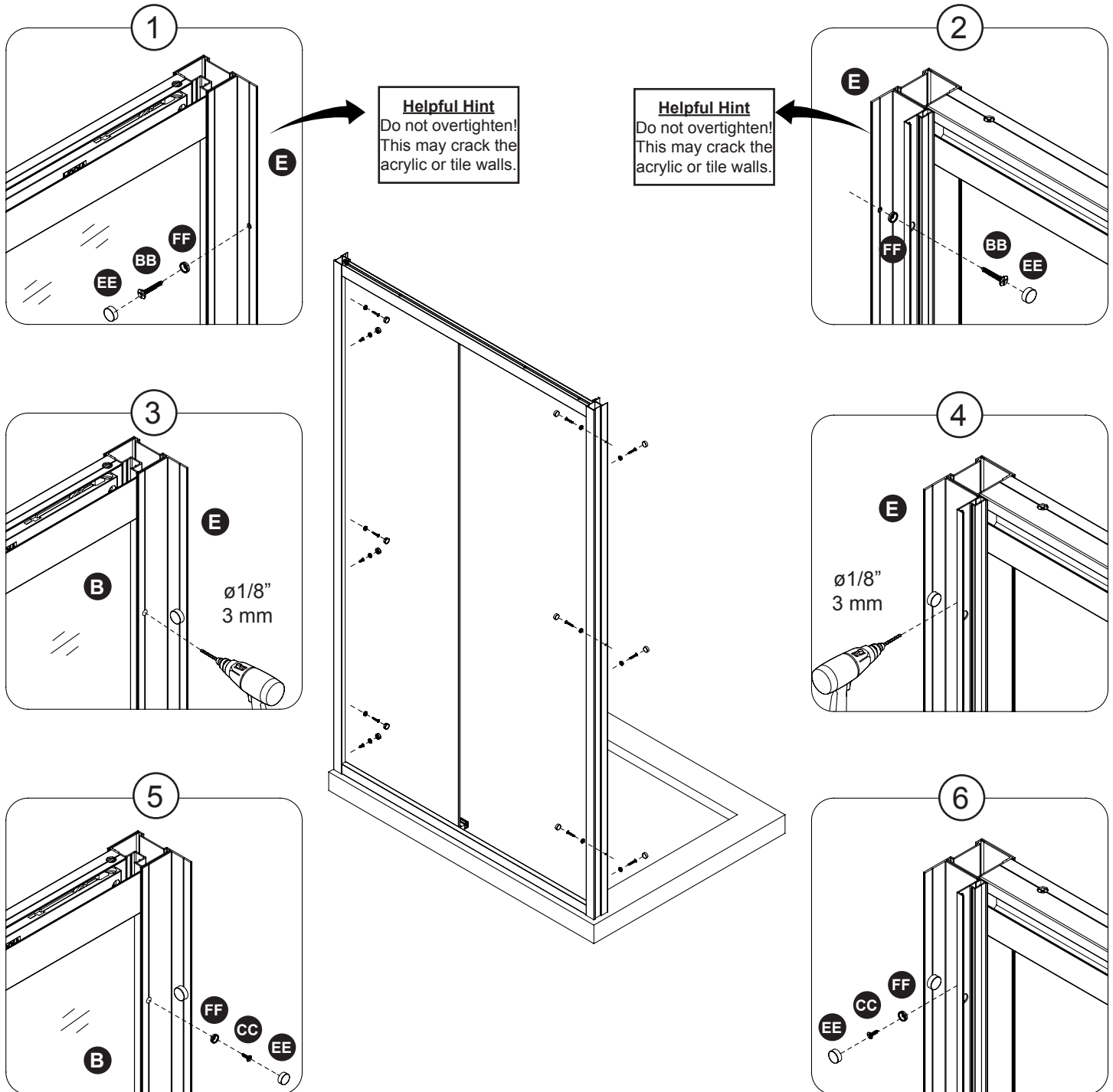
Helpful Hint
Make sure there is a support stud located behind the drywall, behind the tracks!

WALL TRACK INSTALLATION

1-2. Secure the 2 wall tracks (E) using screws (BB), fittings (FF) and caps (EE).

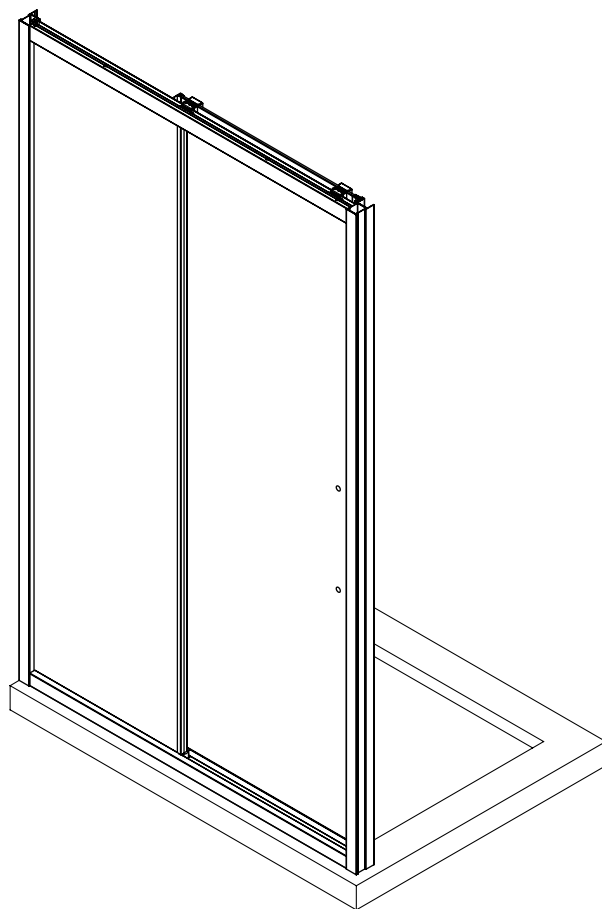
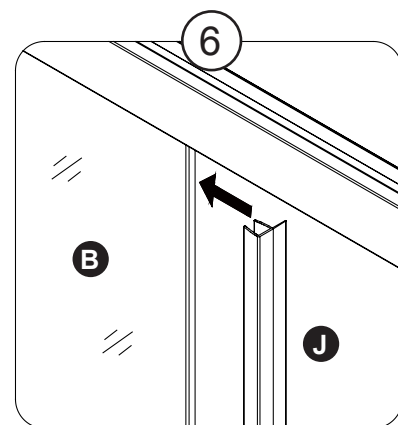
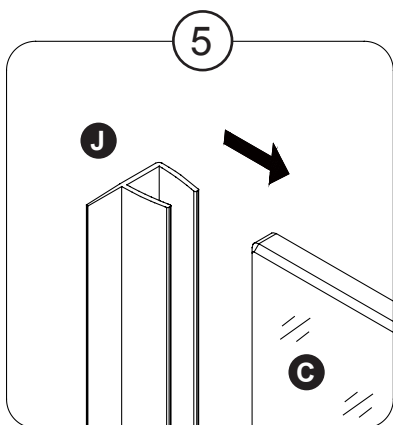
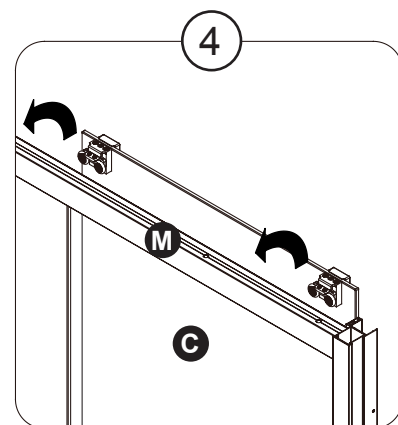
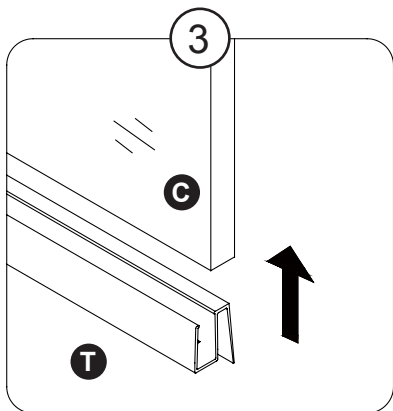
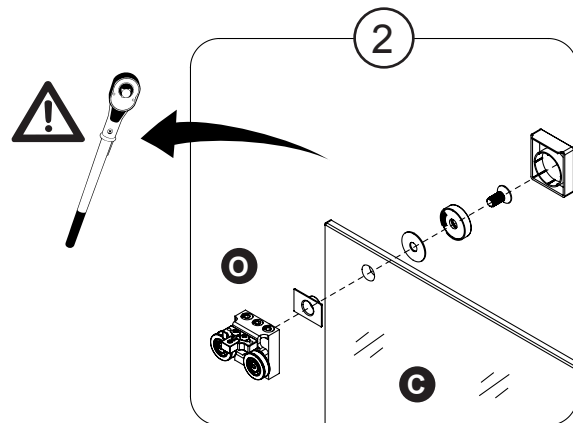
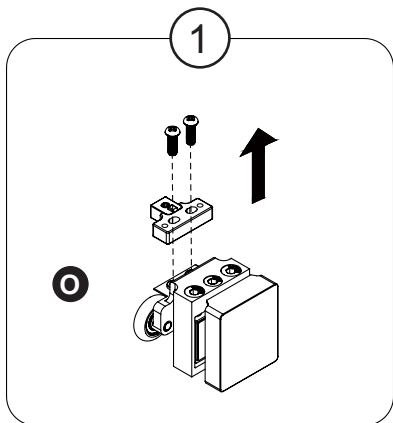
3-4. Drill the 2 wall tracks (E) with a $\varnothing 1/8"$ (3mm) drill bit in both 3 places.

5-6. Secure the 2 wall tracks (E) using screws (CC), fittings (FF) and caps (EE).



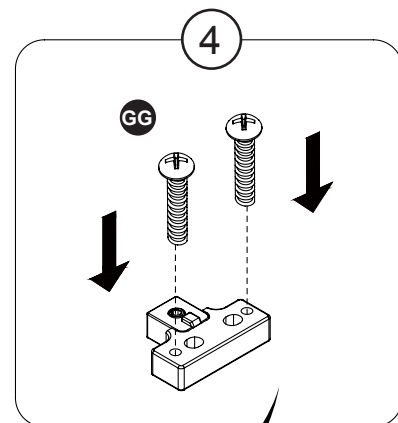
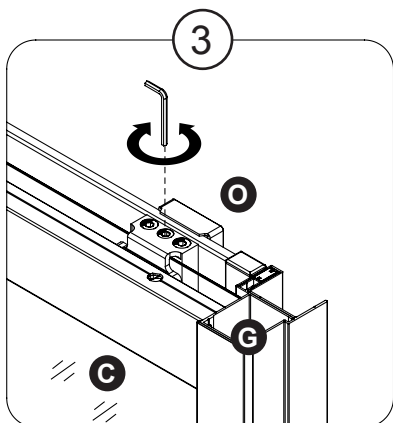
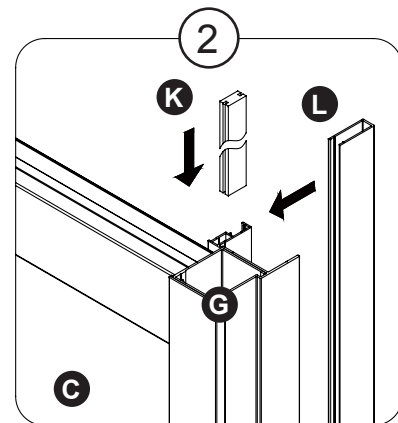
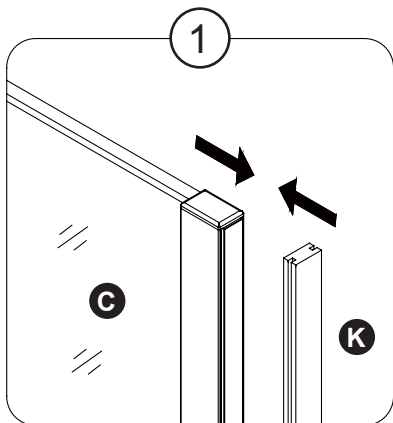
DOOR INSTALLATION

1. Uninstall the T profile from the door top rollers (O).
2. Install the 2 top rollers (O) on the door panel (C). Use a ratchet to strongly tighten the bolts.
3. Insert the door bottom seal strip (T) onto the door panel (C).
4. Place the door (C) on the top metal track (M).
- 5-6. Place the glass panel's vertical seal strip (J) on the door (C) and the fixed panel (B).

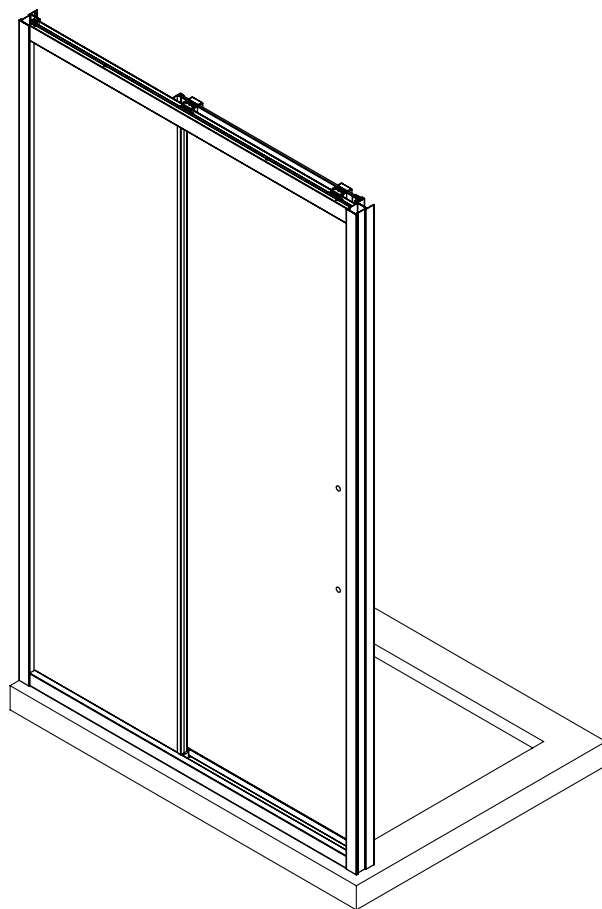
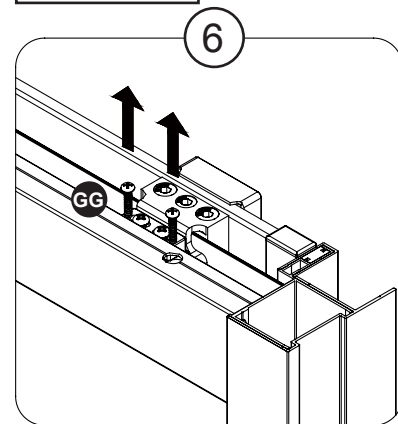
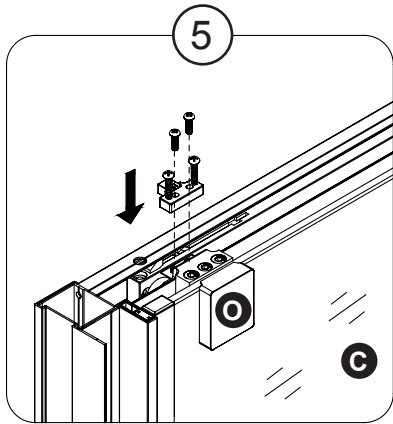


DOOR INSTALLATION

1. Find out which side of the magnetic strip (K) attracts the door's magnet.
2. Insert the magnetic strip (K) into the corner track (G). Make sure to insert it with the attracting side facing the door's magnet. Then install the magnetic strip cover (L) to the corner track (G).
3. Adjust the angle of the door (C) by turning the middle screw of the door top rollers (O) to ensure the fitness between the door (C) and the corner track (G).
4. Install the auxiliary screws (GG) onto the T profile.
5. Install the T profiles back to the door top rollers (O).
6. Remove the screws (GG).



Helpful Hint
Use the auxiliary screws will be easier to install the T profile



HANDLE INSTALLATION & SEALING

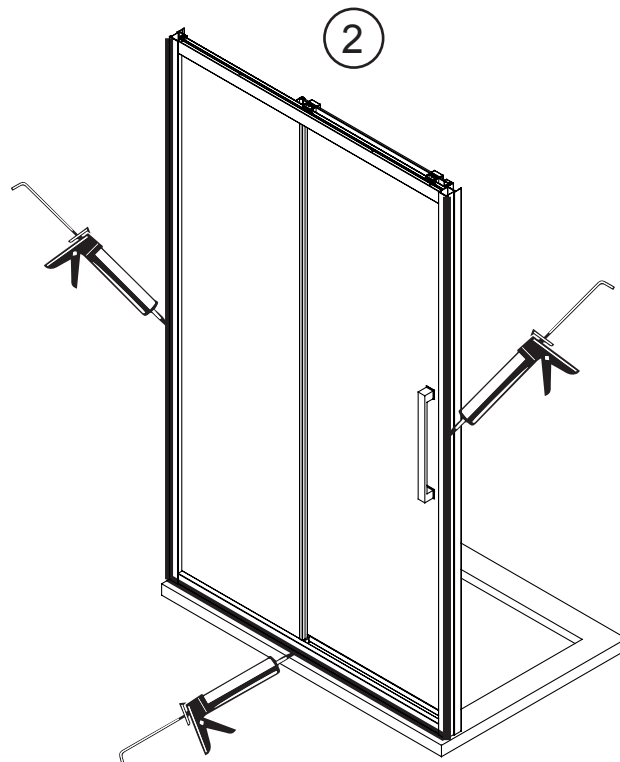
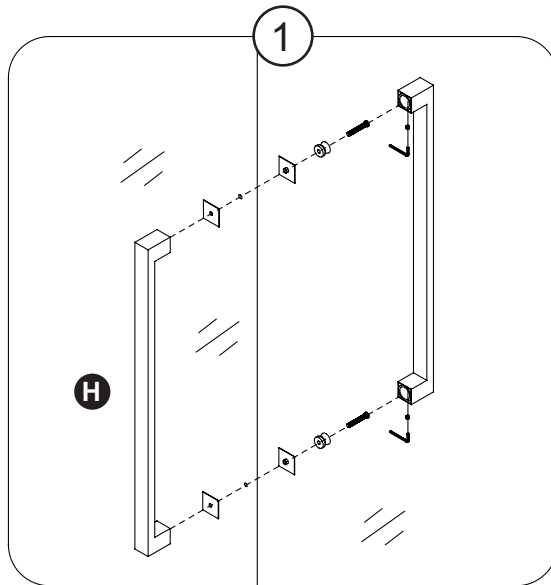
1. Install the door handle (H).

2. Ensure that the door closes and opens smoothly, and that there is a tight connection between the side glass panels and the frame as well as the support bar.

Apply a clear silicone water sealant around the outside perimeter of any fixed shower components (horizontally between bottom of fixed side glass panel and the base, as well as vertically between the wall, glass frames, and any side glass panel).

Allow 24 hours for silicone to dry.

Improper application of silicone sealant may cause your shower to leak.



OVE Decors ULC

LIMITED Product Warranty

OVE is a distributor of the following Products:

- Shower Doors (warranty period 5 years).
- Acrylic Surfaces (warranty period 5 years against blistering, cracking or chipping in the acrylic surface).
- Acrylic Shell Structure (warranty period 5 years against loss of water through fiberglass laminate of the acrylic body).
- Shower Hardware (handles, hinges, rubber support clips, metal support bars and wall tracks) (warranty period 1 year against defects in materials or workmanship).

Limited Warranty: OVE warrants to the original retail purchaser that within a reasonable time after notification from purchaser, OVE will repair or replace the Product, or any part or component of the covered Product, distributed by OVE which is proven to the satisfaction of OVE to be defective in workmanship or materials, and which has failed during normal use and within the warranty period. This Limited Warranty does not apply to Products that have been damaged, or which fail, as a result of causes other than manufacturing defects (such as but not limited to improper installation; lack of or improper care or maintenance; exposure to elements including corrosive products, environments or water; alteration; abuse or misuse). This warranty does not cover damage to finishes. The warranty commences on the first date a Product is purchased by the customer. This warranty applies exclusively to products purchased and used in non-commercial applications.

Warranty Claim Procedure: To make a claim please call **1-866-839-2888** to trouble-shoot the issue and start the claim process, or email **info@ovedecors.com**. Products may be inspected or evaluated by OVE and any Product or component found to meet the above warranty criteria will be repaired or replaced at OVE's option. Replacement or repaired parts will be shipped at no cost to customer via ground freight only. Any expedited methods of shipments are customer's expense.

DISCLAIMER AND EXCLUSION OF WARRANTIES: This warranty is meant to be a complete and exclusive statement of the terms of all limited warranties offered by OVE.

To the fullest extent permitted by law, other than the express warranty set forth in this instrument there are NO WARRANTIES, EXPRESS OR IMPLIED, INCLUDING ANY IMPLIED WARRANTIES OF MERCHANTABILITY OR FITNESS FOR A PARTICULAR PURPOSE EXTENDED BY OVE.

This warranty gives you specific legal rights. You may also have rights, which may vary under applicable state, provinces, or national legislation, which cannot be disclaimed or modified by the above Disclaimer. Except as permitted, the Disclaimer is not intended to waive, modify, release or limit the applicability of preemptive state, province, or national legislation inconsistent with the terms of this Limited Warranty and Disclaimer. However, to the extent permitted by law, no implied warranties of merchantability or fitness are intended or extended hereunder. Notwithstanding the Disclaimer if any implied warranty is imposed by operation of law, to the extent permitted, the duration of such implied warranties is limited to the shorter of the term of the express warranty or the applicable statute of limitations.

The Products listed above are intended to be installed and used for personal, consumer residential use. Use of Products for any other purpose such as commercial purposes voids this warranty. The Limited Warranty is applicable only to the Products listed herein, and no warranty is extended to products not distributed by OVE. The warranty is applicable only to the first retail purchaser.

Transferability: This warranty is not transferrable.

LIMITATION AND EXCLUSION OF REMEDIES AND DAMAGES: OVE's sole responsibility under this Limited Warranty shall be to repair or replace, at its option, any defective Product or component. Purchaser agrees that this is the sole and exclusive remedy under this Limited Warranty. OVE will not be responsible for any incidental, consequential, special or indirect damages, including loss of use as a result of any manufacturing defect in a Product. OVE will not be responsible for labor, or any other fees associated with removal or installation of warranted parts. Some states, provinces, or national legislation do not allow the exclusion or limitation of incidental or consequential damages, so this limitation may not apply to you.

Product modification: OVE reserves the right to change, modify or improve the Products without obligation to incorporate such changes in Products previously sold or installed.

Authority and Modification: The retail seller is not the agent of OVE and is not authorized to vary or modify the terms of the Limited Warranty. In addition, the retail seller cannot bind OVE or make any representations or promises about the Product that are binding on OVE.

CARE AND MAINTENANCE

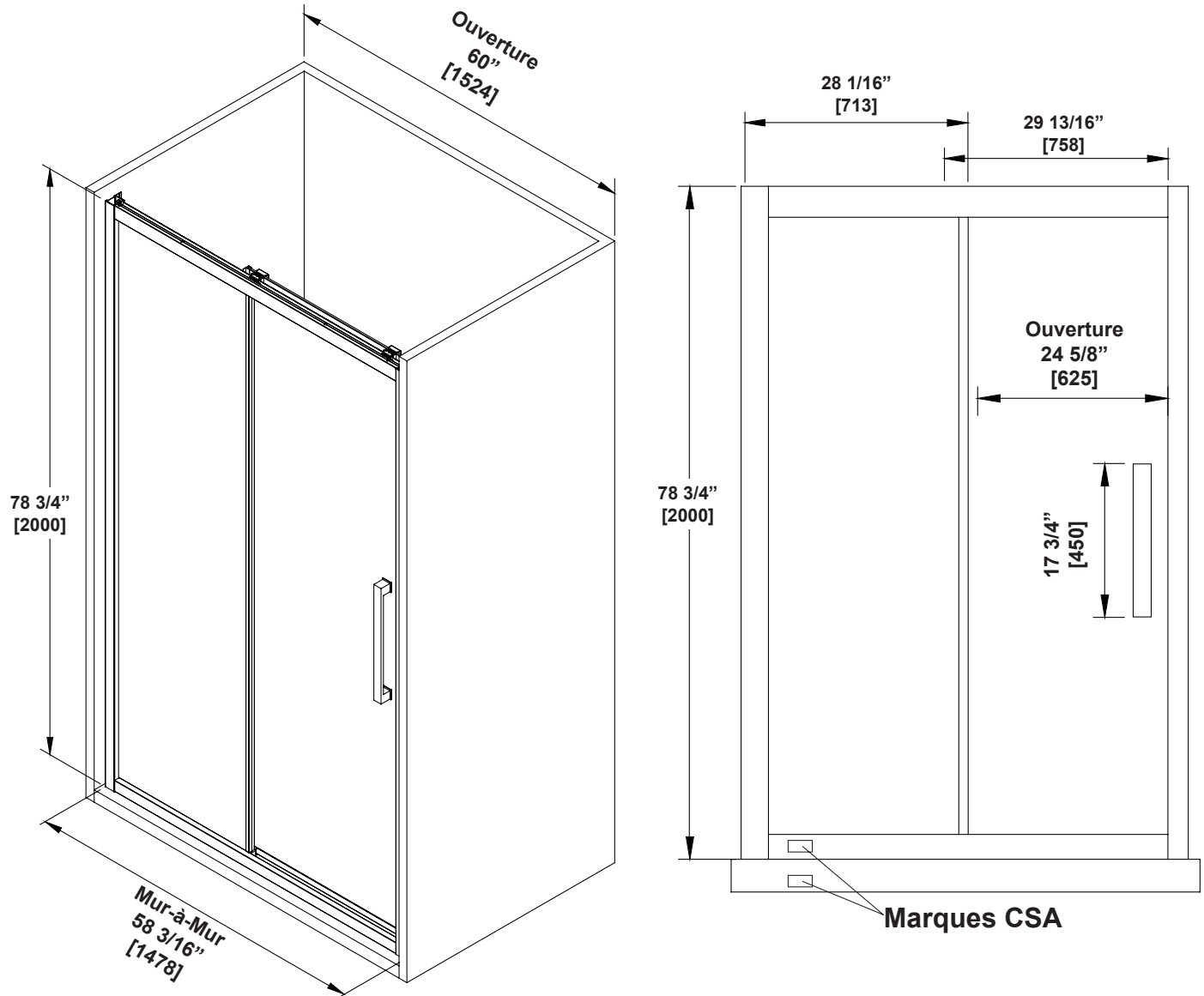
For the daily maintenance, use a wet cloth and a soft liquid cleaner.

Never use abrasive cleaners containing some acetone, chlorine or strong bleach, scrapers, metallic brushes, nor other objects or the products which can graze or tarnish surfaces.

Use a ratchet to strongly tighten any bolts used to support the fixed glass panels or doors panel (support bolts can withstand up to 250 lbf*in of torque).

Check these bolts every 4 months and re-tighten them if necessary.

Mesures: pouces [millimètres]



Date de l'achat: _____

Numéro de référence du produit: _____



Questions, problèmes ou pièces manquantes?

Avant de retourner le produit à votre détaillant, contactez notre service à la clientèle au 1-866-839-2888, du lundi au vendredi de 9h00 à 17h00 HNE.

INFORMATION SUR LA SÉCURITÉ

AVERTISSEMENT

Veillez lire attentivement les importantes consignes de sécurité suivantes avant la manutention et l'installation de cette douche. La manipulation de ce produit présente un risque de blessure grave. Pour minimiser ces risques, veuillez prendre note de ce qui suit:

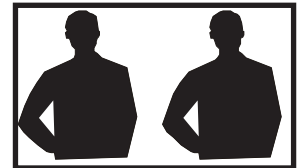
- Toujours porter des lunettes et des gants de sécurité pendant la manutention.
- Toujours lire et suivre toutes les étapes indiquées dans les instructions d'installation.
- Avant l'installation, inspecter tout le contenu et le verre pour détecter toute forme de dommages.
- Pendant l'installation, faire très attention lorsque vous manipulez les pièces en verre, car le verre trempé peut se fracasser s'il entre en contact avec une surface dure.
- Manipulez le verre trempé avec précaution sinon il pourrait se briser en petits morceaux (jamais en fragments pointus).
- Prendre toujours toutes les précautions nécessaires pour que, pendant l'installation ou après, les outils que vous utilisez n'entrent pas en contact avec le verre trempé.
- Ne pas couper ni modifier le verre trempé, car il pourrait se briser en éclat s'il est coupé.
- Sortir le produit de son emballage avec soin et le conserver jusqu'à ce que l'installation soit complétée.
- Inspectez toutes les pièces. S'il y a des dommages sur le produit avant l'installation, veuillez communiquer avec le service à la clientèle au numéro indiqué dans ce guide.
- Installez la douche sur un plancher au niveau et capable de supporter le produit et son utilisateur.
- Veuillez consulter le code du bâtiment et les normes de conformité avant l'installation du produit.
- Après l'installation, et périodiquement, vérifier l'assemblage et la finition des pièces en verre, pour vous assurer qu'aucun élément ne s'est desserré depuis l'installation.
- Conserver le présent manuel d'instruction pour consultation future.

AVIS

- Toute modification ou altération apportée aux indications données dans le présent manuel d'instructions annule toute garantie associée à ce produit.
- Le distributeur n'est pas responsable pour les dommages sur le produit ou sur la personne causés par une installation inadéquate. Si vous ne tenez pas compte des indications du manuel d'instruction, vous annulez votre garantie et vous vous exposez à des dommages causés par les fuites d'eau.
- Pour de plus amples renseignements sur l'installation du produit ou si vous avez des questions, veuillez consulter le site www.ovedecors.com.

PRÉPARATION

2 personnes sont requises pour installer le produit correctement et sécuritairement.



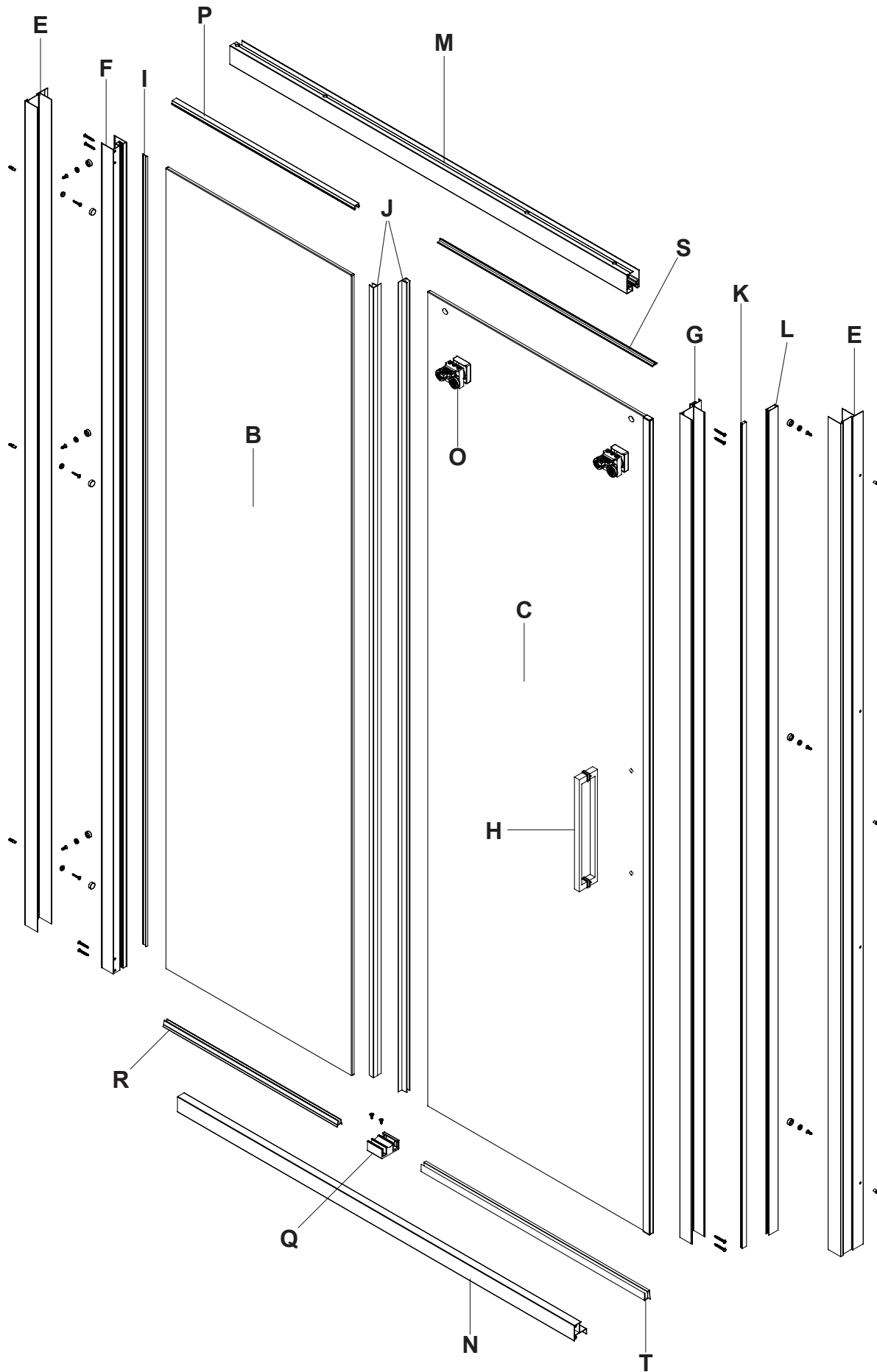
Avant de commencer l'installation du produit, soyez assuré d'avoir toutes les pièces. Comparez les pièces avec les listes fournies. S'il y a des pièces manquantes ou endommagées, ne tentez pas d'assembler le produit.

Temps de montage estimé: douche (60 min).

TABLE DES MATIÈRES

CONTENU DE L'EMBALLAGE	23
QUINCAILLERIE FOURNIE	24
OUTILS REQUIS	24
CETTE DOUCHE EST RÉVERSIBLE	25
GUIDE D'INSTALLATION DE LA BASE (OPTIONNEL)	26
INSTALLATION DU CADRE DE LA DOUCHE.....	27
INSTALLATION DU RAIL MURAL.....	31
INSTALLATION DE LA PORTE.....	33
INSTALLATION DE LA POIGNÉE ET SCELLAGE	35
GARANTIE LIMITÉE DU PRODUIT.....	36
TRAITEMENT ET ENTRETIEN.....	36

CONTENU DE L'EMBALLAGE

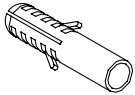


CONTENU DE L'EMBALLAGE

# DE PIÈCE	DESCRIPTION	QUANTITÉ	CODE
B	Panneau fixe	1	99SG10058-WM
C	Panneau de la porte	1	99SGD0044-WM
E	Rail muraux	2	99STR0035-WM
F	Montant mural	1	99STR0036-WM
G	Rail latéral	1	99SRU0148-WM
H	Poignée de la porte	1	99SHA1035-WM
I	Joint d'étanchéité	1	99SRU0149-WM
J	Joint d'étanchéités verticaux des panneaux de verre	2	99SRU0150-WM
K	Rail magnétique	1	99SRU0151-WM
L	Couvercle du joint magnétique	1	99SGC0043-WM
M	Rail supérieur	1	99SGS0030-WM
N	Rail pour le bas de la porte	1	99SGS0031-WM
O	Roulette supérieure de la porte	2	99SWE0026-WM
P	Joint d'étanchéité supérieur pour panneau fixe	1	99SRU0157-WM
Q	Guide de porte (avec joint d'étanchéité)	1	99SGC0044-WM
R	Joint d'étanchéité du bas du panneau fixe	1	99SRU0158-WM
S	Joint d'aluminium supérieur pour porte	1	99STR1051-WM
T	Joint d'étanchéité du bas de la porte	1	99SRU0159-WM
U	Quincaillerie fournie	1	99SHW0117-WM

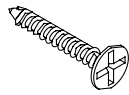
QUINCAILLERIE FOURNIE

AA



Ancre mural
ø6x30mm
6+2

BB



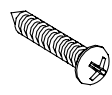
Vis
ST4x30mm
6+2

CC



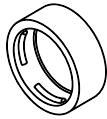
Vis
ST4x12mm
8+2

DD



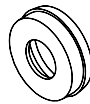
Vis
ST4x20mm
8+2

EE



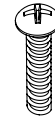
Capuchon
12x

FF



Raccords
12x

GG



Boulon
M4x30mm
2x

OUTILS REQUIS



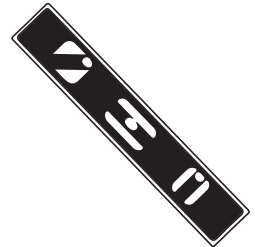
Crayon



Tournevis



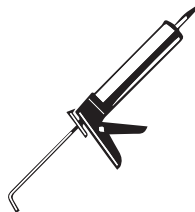
Perceuse avec foret à ceramique
ø1/8" (3mm) & ø1/4" (6mm)



Niveau



Ruban à mesurer



Silicone



Maillet en caoutchouc



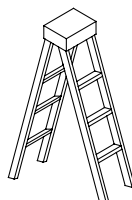
Exacto



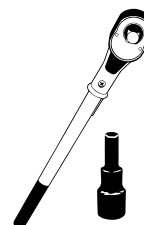
Lunettes de sécurité



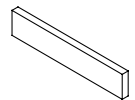
Clé Allen
2.5 & 4 & 5mm



Échelle



Clé à Rochet
5mm Bit socket

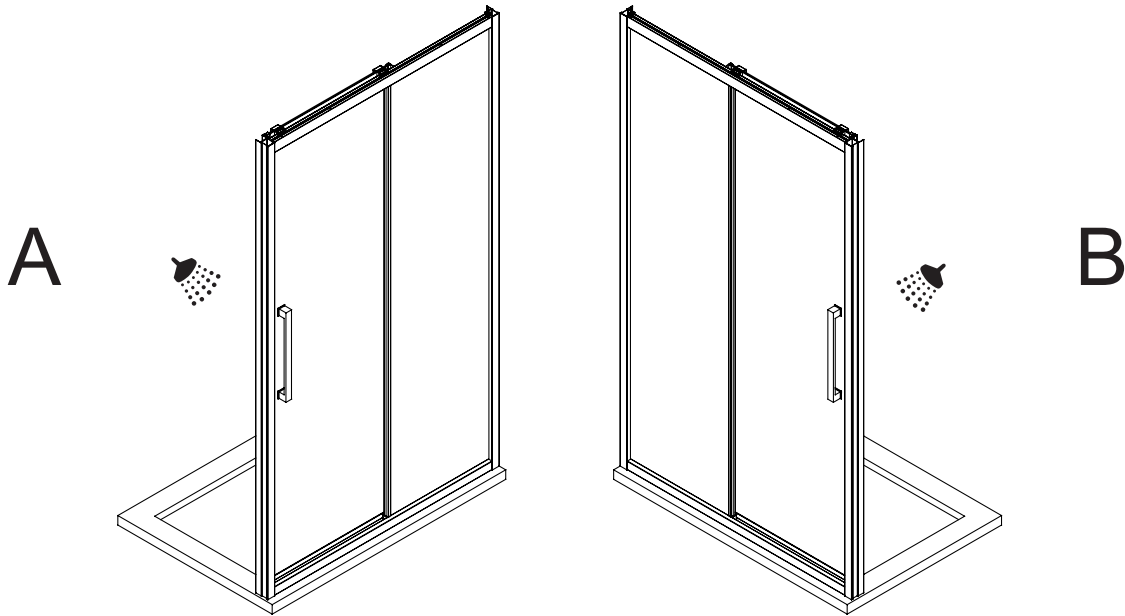


Tige de bois

CETTE DOUCHE EST RÉVERSIBLE

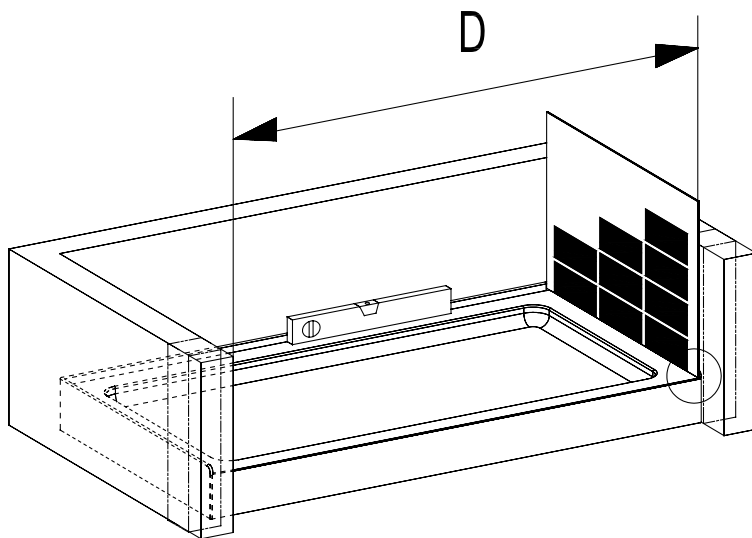
- Utilisez ces instructions pour une ouverture de la porte de droite à gauche (illustration B).
- Pour une installation de gauche à droite (illustration A), suivez ces mêmes instructions mais permutez l'emplacement des panneaux: effet miroir.

! Installez le pommeau de douche du côté de la porte, afin de diminuer les risques de fuites.



MESURES MUR À MUR

- Mesurez l'épaisseur de vos tuiles sur chacun des côtés avant d'installer le rail mural. Une tuile plus épaisse limitera l'espace requis pour installer votre douche.
- Assurez vous d'avoir une distance tuile à tuile entre 1478mm (58 3/16 po) min. et 1493mm (58 3/4 po) max. (voir image).



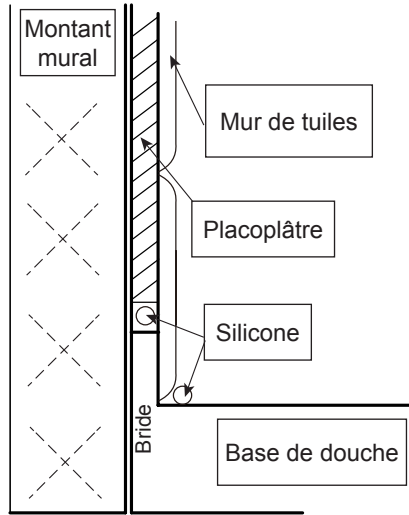
Assurez vous d'avoir une distance (D) de la tuile droite à la tuile gauche de:

D Min: 1478mm (58 3/16 po)

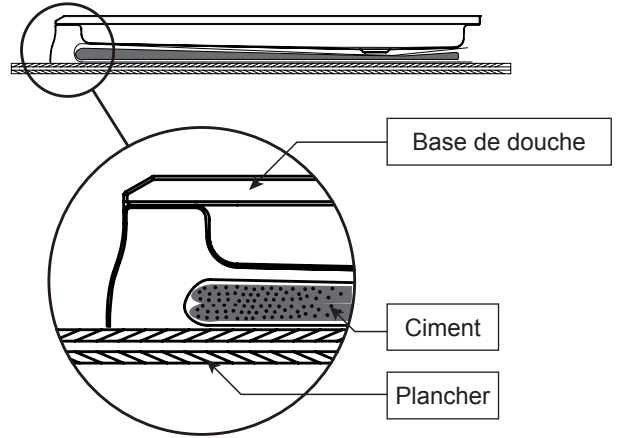
D Max: 1493mm (58 3/4 po)

GUIDE D'INSTALLATION DE LA BASE (OPTIONNEL)

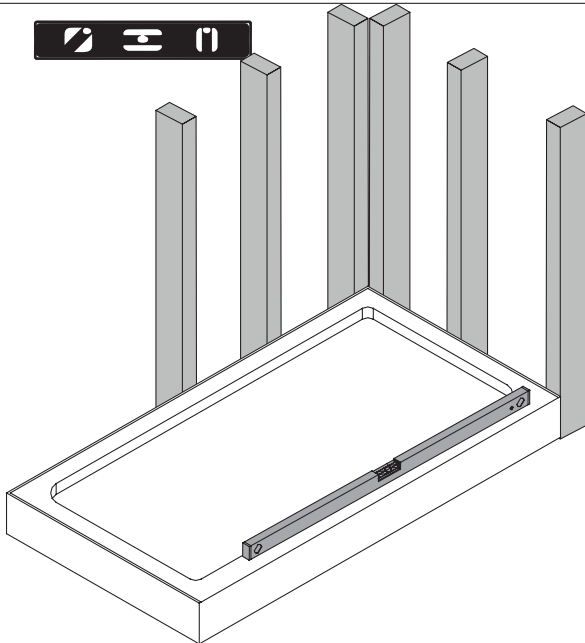
1



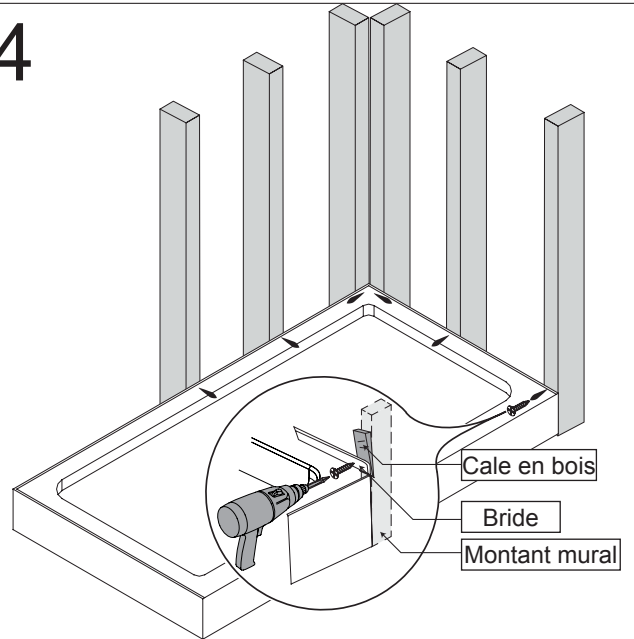
2



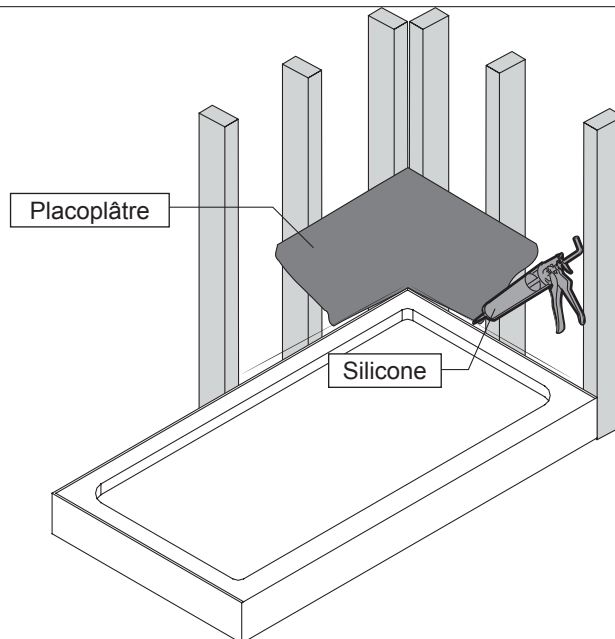
3



4

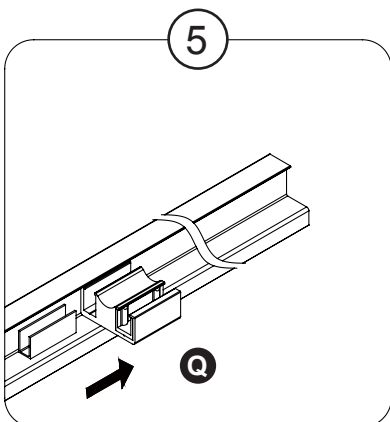
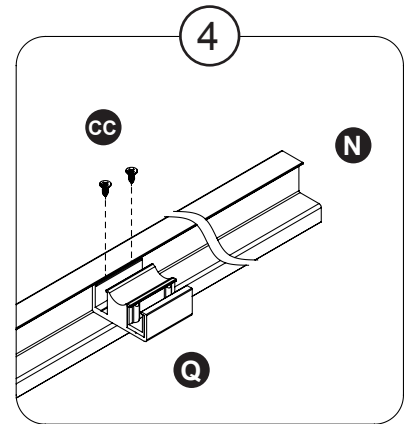
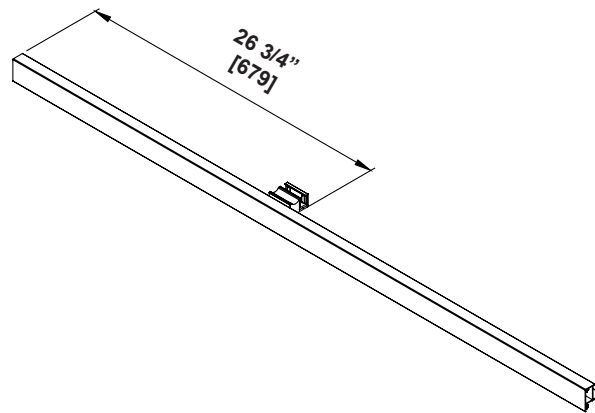
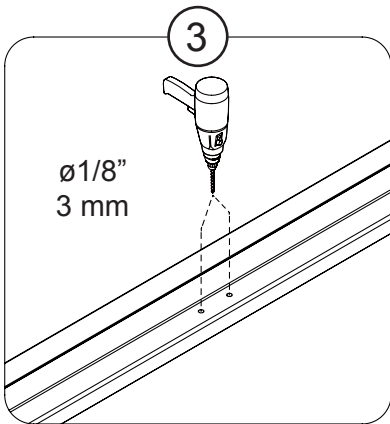
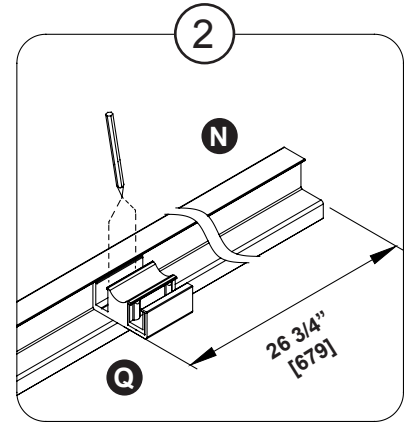
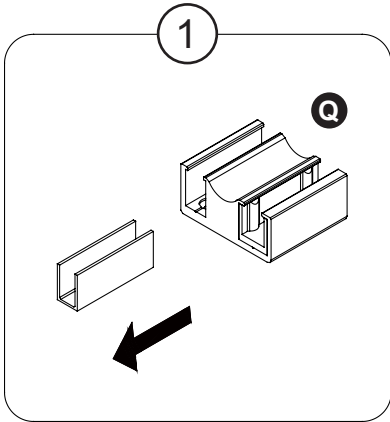


5



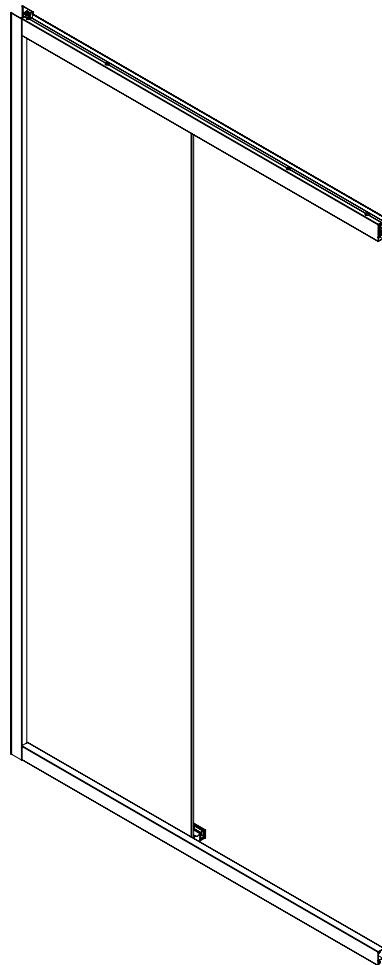
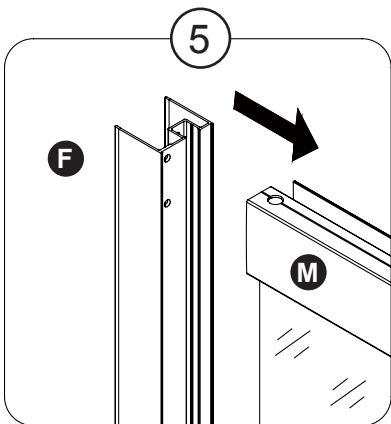
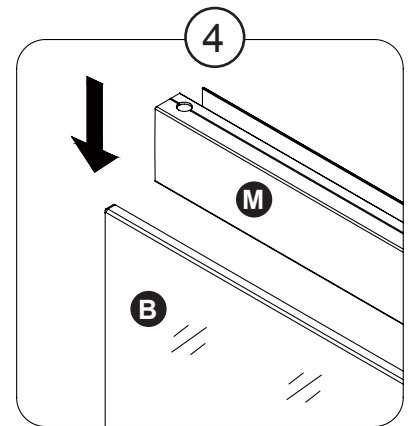
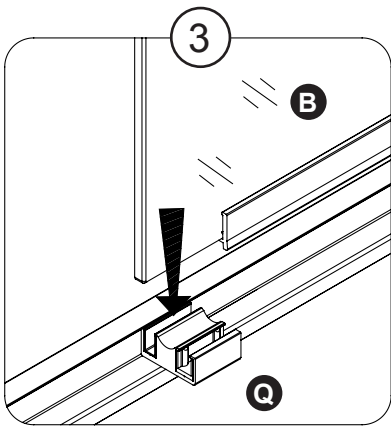
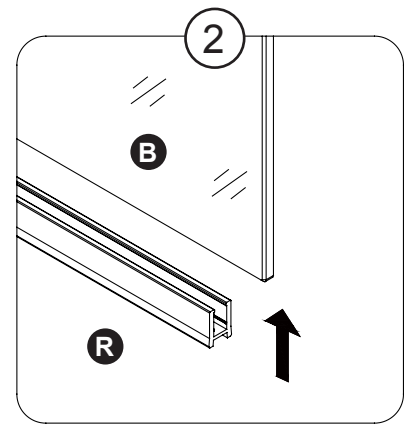
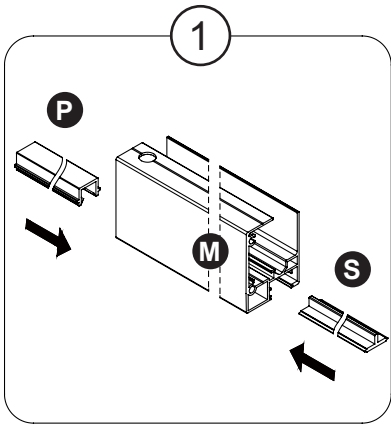
INSTALLATION DU CADRE DE LA DOUCHE

1. Enlevez le raccord de caoutchouc du guide (Q) pour porte coulissante.
2. Placez le guide (Q) pour porte coulissante au bas du rail de métal (N) et marquez la position des 2 trous.
3. Percez 2 trous guides avec un foret $\varnothing 1/8''$ (3mm).
4. Sécurez le guide (Q) pour porte coulissante avec les vis (CC).
5. Remettez les raccords de caoutchouc au guide (Q) pour porte coulissante.



INSTALLATION DU CADRE DE LA DOUCHE

1. Insérez le joint d'étanchéité supérieur pour panneau fixe (P), ainsi que le joint supérieur de la porte d'aluminium (S) dans les rails de métal (M).
2. Insérez le joint d'étanchéité du panneau fixe (R) à la base du panneau fixe (B).
3. Placez le panneau fixe (B) dans le guide (Q).
- 4-5. Placez le rail de métal supérieur (M) et le montant mural (F) au panneau fixe (B).

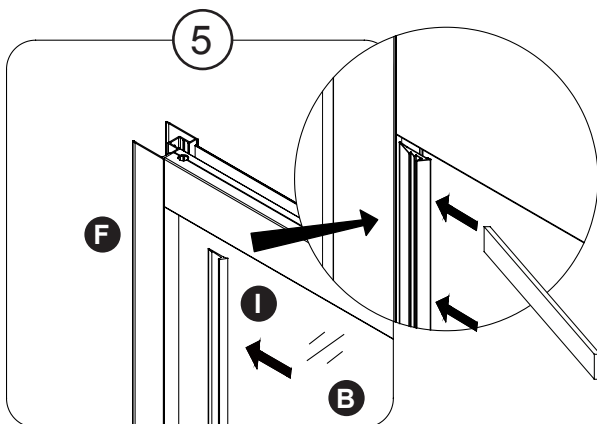
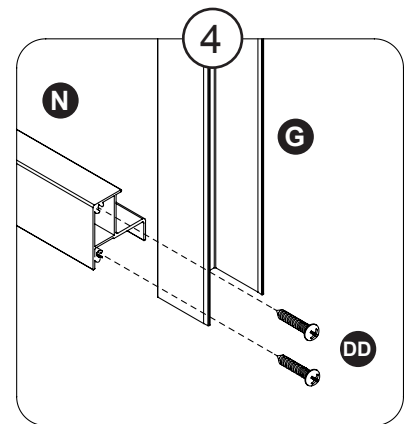
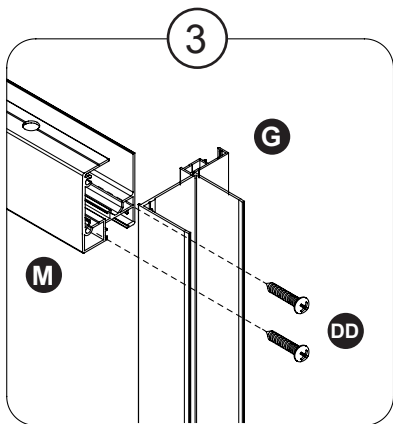
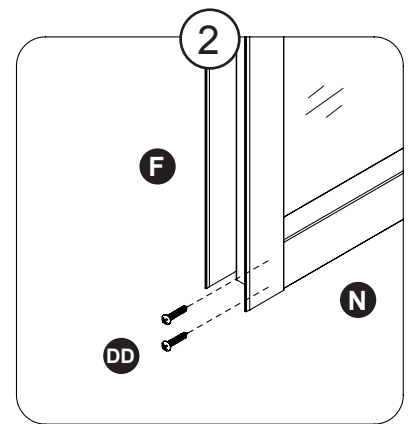
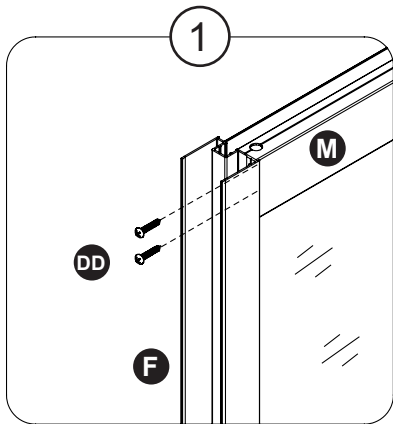


INSTALLATION DU CADRE DE LA DOUCHE

1-2. Installez le montant mural (F) au-dessus du rail supérieur (M) et au au-bas du rail inférieur (N) avec les vis (DD).

3-4. Installez le rail latéral (G) au-dessus du rail supérieur (M) et au bas du rail inférieur (N) avec les vis (DD).

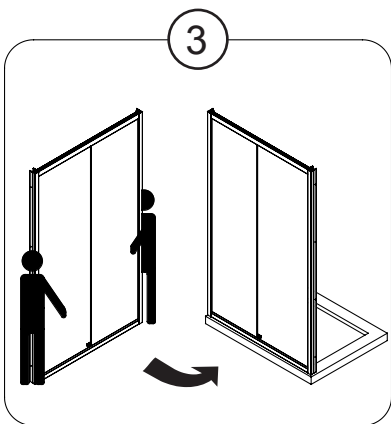
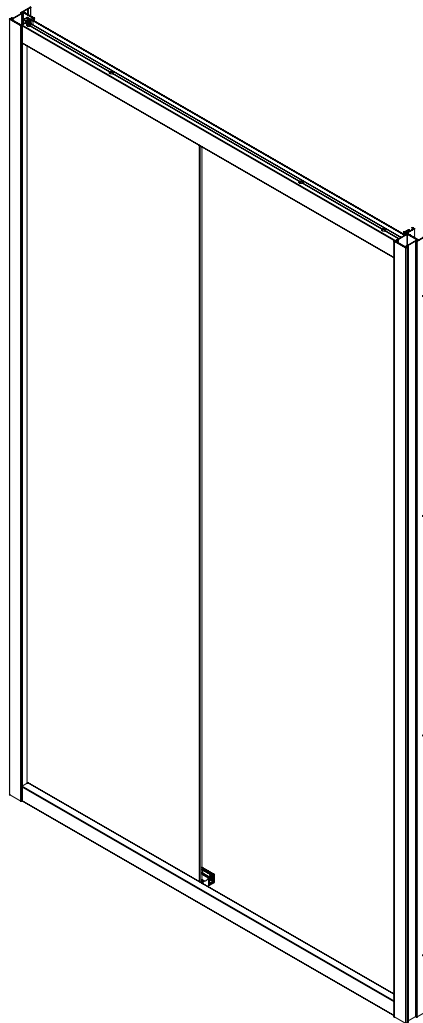
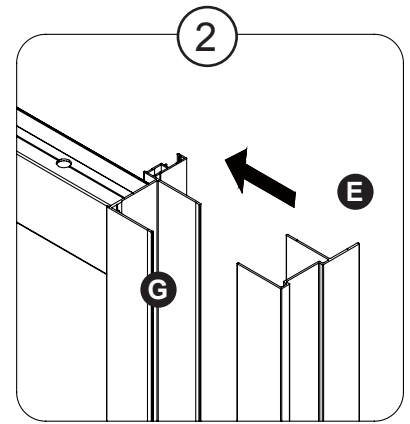
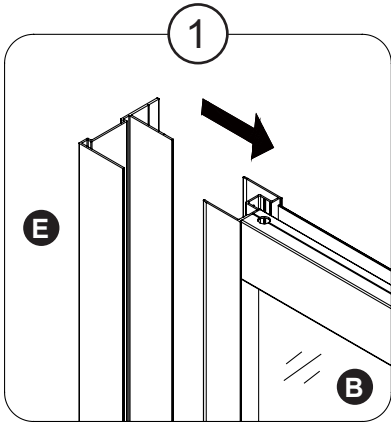
5. Placez le joint d'étanchéité (I) entre le panneau fixe (B) et le montant mural (F). Utilisez la tige de bois pour vous aider, étant donné l'espace restreint.



Important!
Utilisez
une échelle
pour faciliter
l'installation.

INSTALLATION DU CADRE DE LA DOUCHE

- 1-2. Placez les 2 rails muraux (E) au panneau fixe (B) et au rail latéral (G).
3. Placez la structure de la douche sur la base.



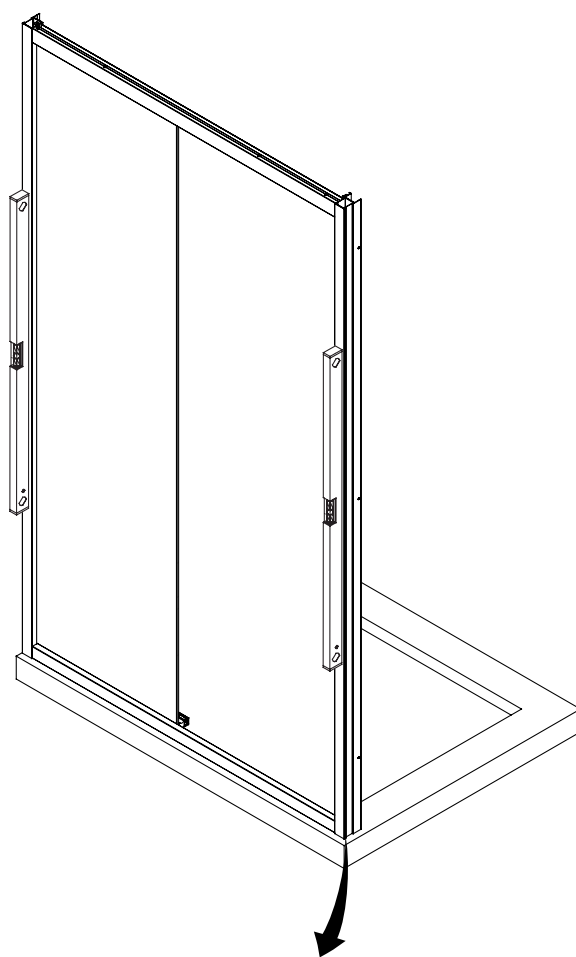
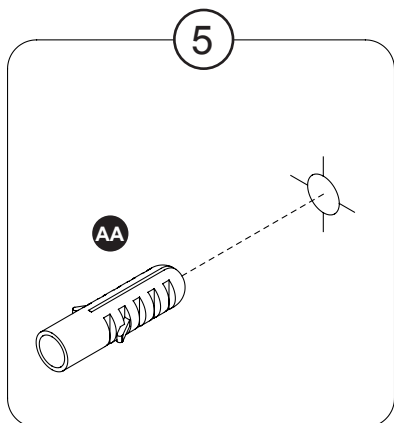
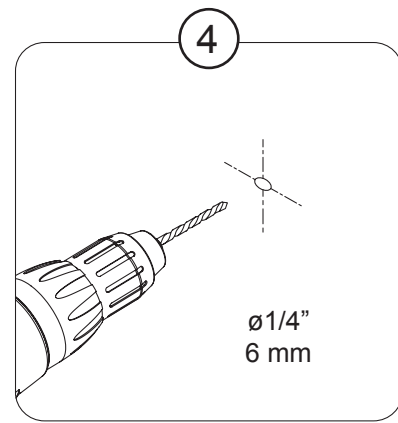
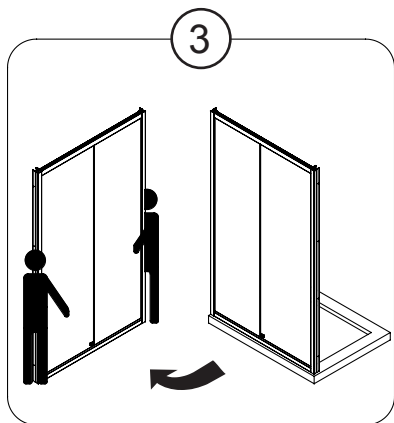
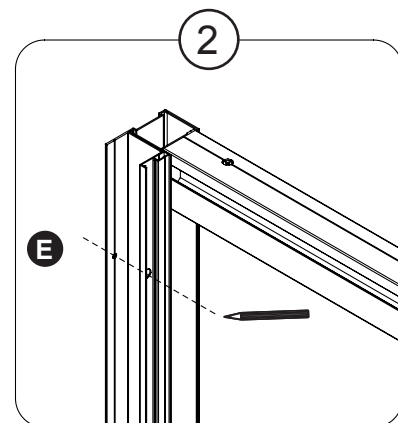
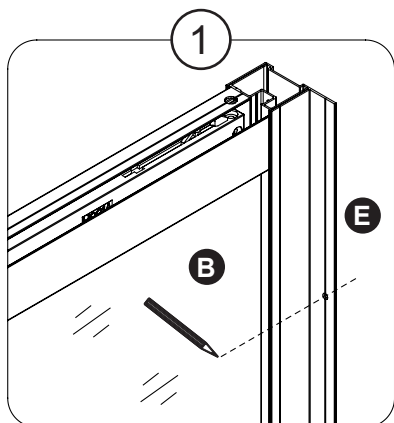
INSTALLATION DU RAIL MURAL

1-2. Assurez-vous que la base et la structure de la douche soient nivelées. Marquez la position des trous sur le mur des rails muraux (E).

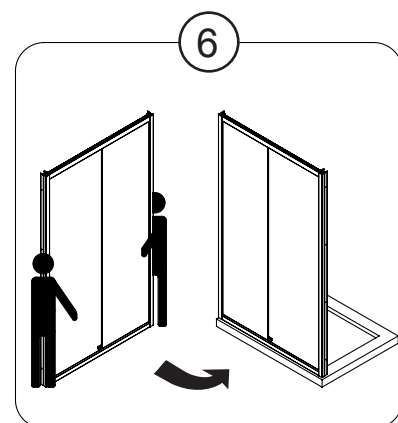
3. Retirez le cadre de la douche.

4-5. Percez un trou guide avec un foret $\varnothing 1/4''$ (6mm) à l'emplacement des marques faites précédemment. Insérez les ancrages mural (AA) en utilisant un maillet en caoutchouc.

6. Remplacez le cadre de la douche sur la base.



Important
S'assurer qu'il y a un montant mural vis-à-vis les rails muraux à l'arrière du placoplatre!

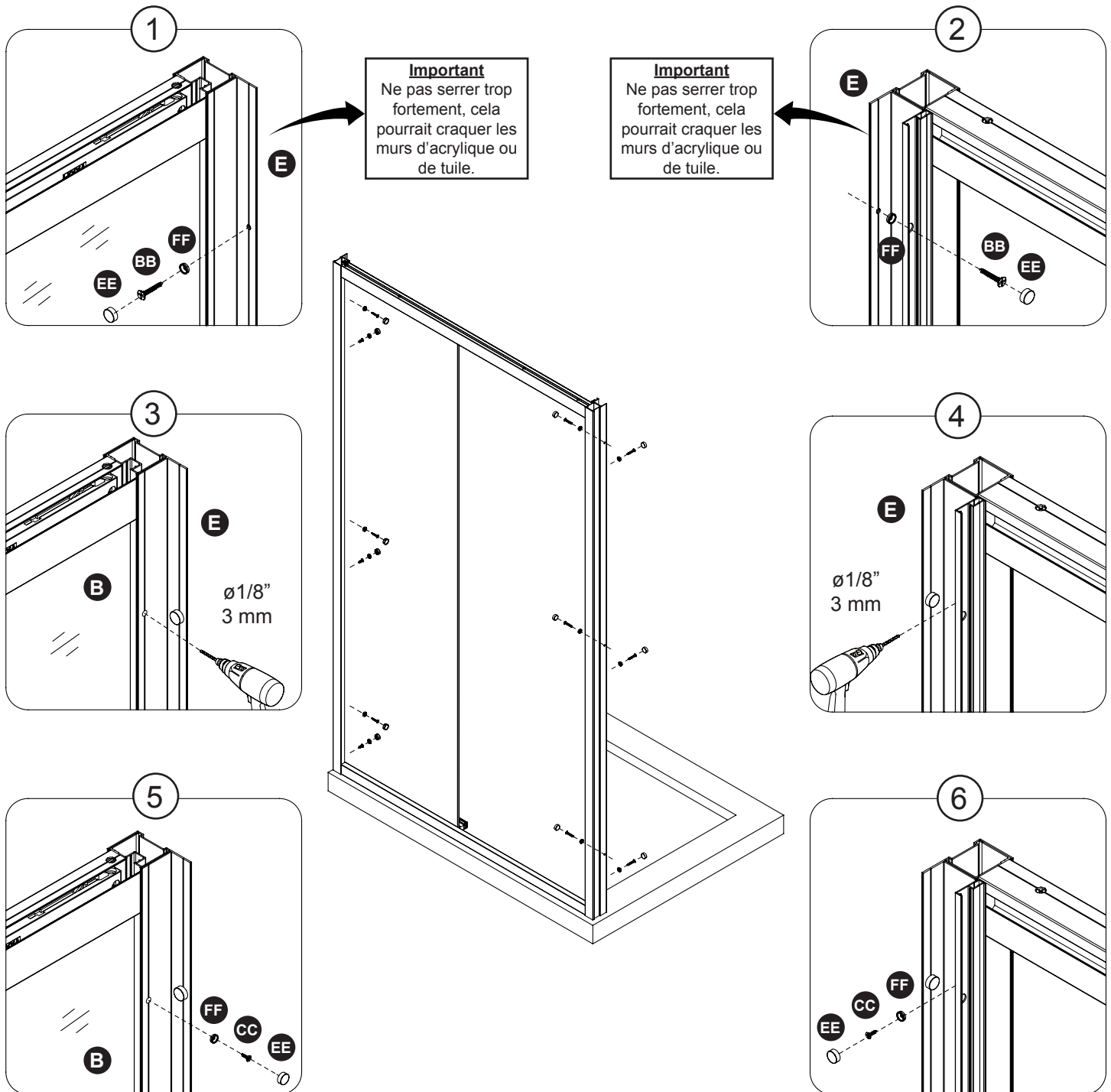


INSTALLATION DU RAIL MURAL

1-2. Fixez le rails muraux (E) en utilisant les vis (BB), les raccords (FF) et les capuchons (EE).

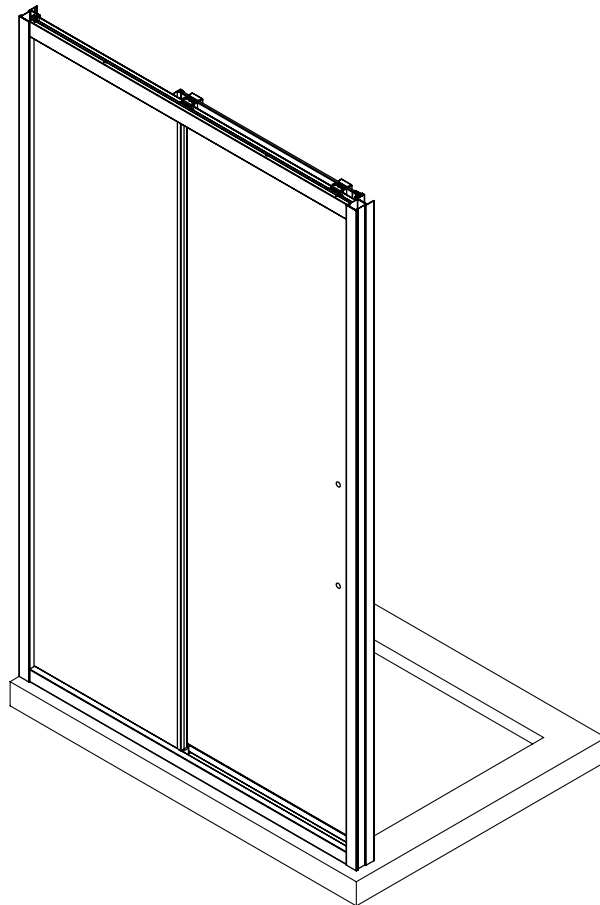
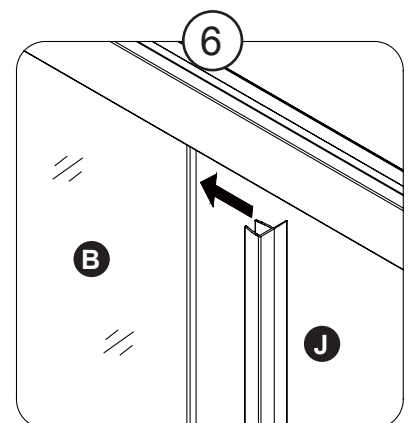
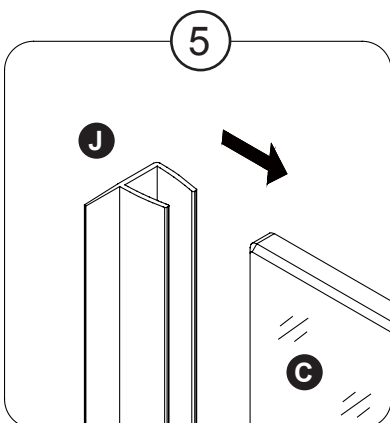
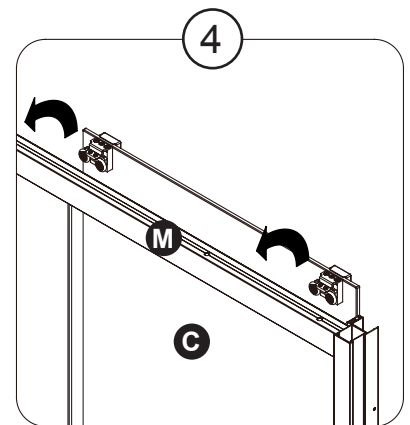
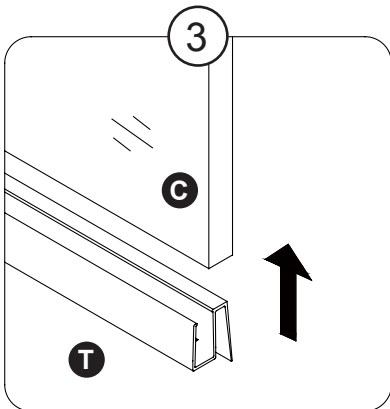
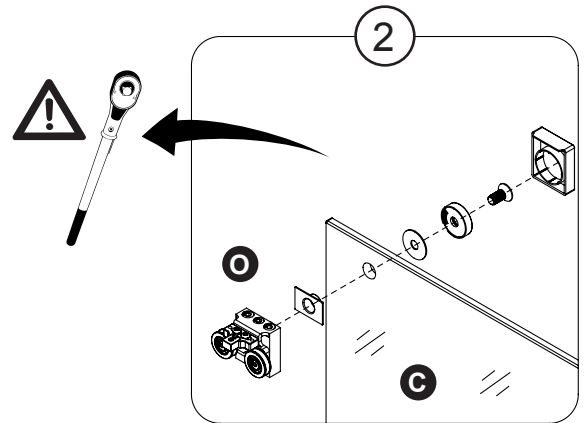
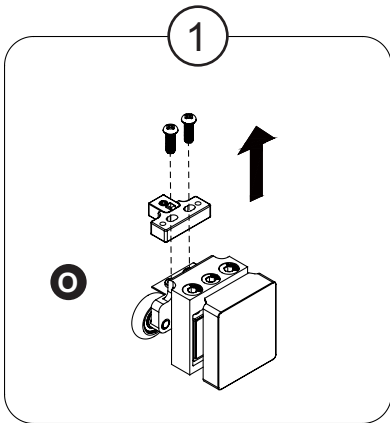
3-4. Percez à trois endroits le rails muraux (E) avec un foret de $\varnothing 1/8''$ (3mm).

5-6. Fixez le rails muraux (E) en utilisant les vis (CC), les raccords (FF) et les capuchons (EE).



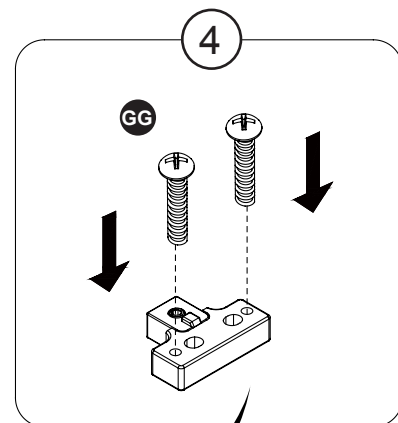
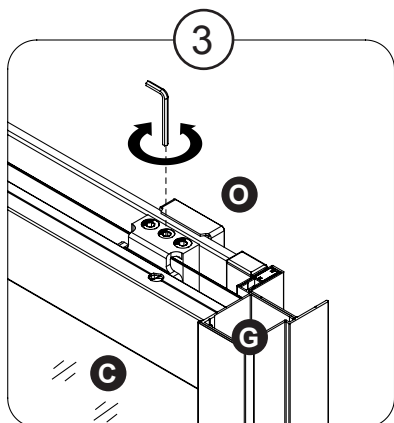
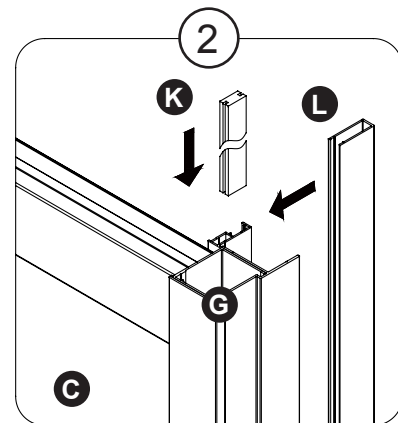
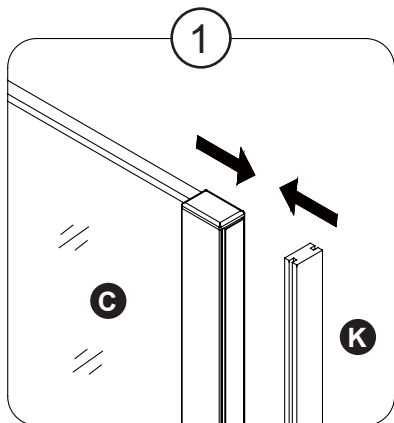
INSTALLATION DE LA PORTE

1. Désinstallez la pièce en T des roulettes supérieures pour porte (O).
2. Installez les 2 roulettes supérieure de la porte (O) sur la porte (C). Utilisez une clé à rochet afin de serrer les boulons fortement.
3. Insérez le joint d'étanchéité du bas de la porte (T) au bas de la porte (C).
4. Placez la porte (C) sur la rail supérieur (M).
- 5-6. Placer les joint d'étanchéités verticaux des panneaux de verre (J) sur la porte (C) et le panneau fixe (B).

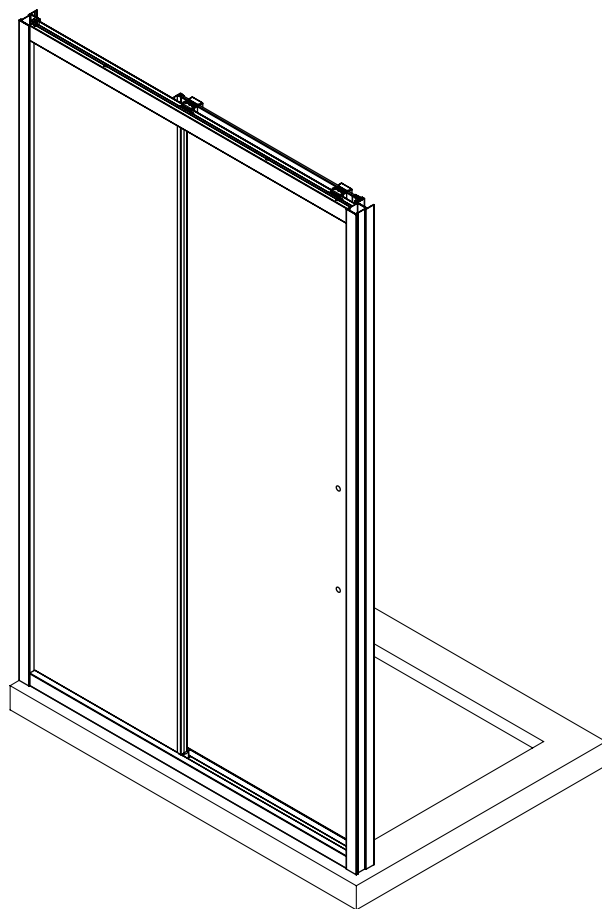
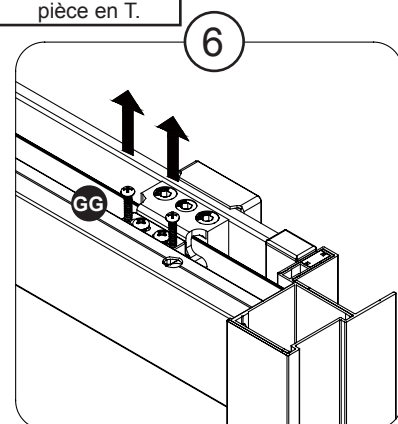
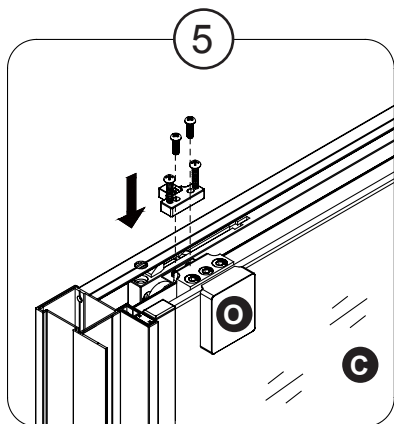


INSTALLATION DE LA PORTE

1. Trouvez de quel côté la rail magnétique (K) est attiré par l'aimant de la porte.
2. Insérez la rail magnétique (K) dans le rail (G). Assurez-vous d'insérer le côté magnétique face à l'aimant de la porte. Ensuite, installez le couvercle pour joint magnétique (L) sur le rail latéral (G).
3. Ajustez l'angle de la porte (C) en tournant la vis du milieu des roulettes supérieures pour porte (O), afin d'obtenir un bon ajustement entre la porte (C) et le rail latéral (G).
4. Installez les vis (GG) au profile T.
5. Remettez la pièce en T sur les roulettes supérieures (O).
6. Enlevez les vis (GG).



Important
Utiliser les vis auxiliaires afin de faciliter l'installation de la pièce en T.



INSTALLATION DE LA POIGNÉE ET SCELLAGE

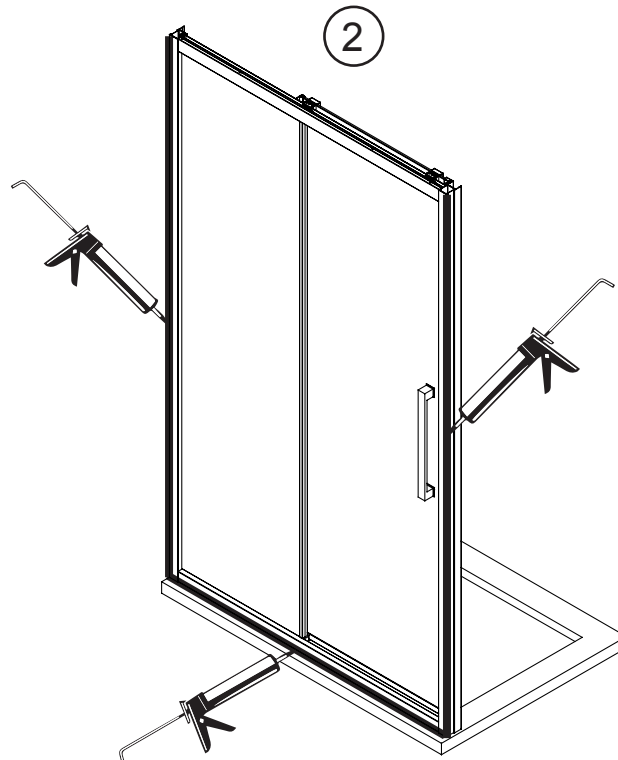
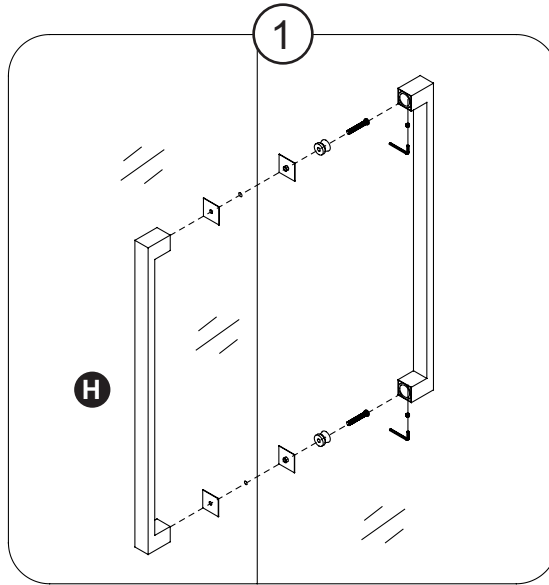
1. Installez la poignée de porte (H).

2. Assurez-vous que la porte se ferme hermétiquement et s'ouvre doucement, et que le châssis et la barre et la barre de support soient étroitement fixés aux panneaux de verre.

Appliquez un scellant étanche à base de silicone sur le contour extérieur de toutes les composantes de la douche, et verticalement entre le mur, le châssis et tous les panneaux de verre).

Laissez sécher le scellant pendant 24 heures.

Une application inadéquate du scellant pourrait entraîner des fuites.



OVE Decors ULC

Garantie LIMITÉE du produit

OVE est distributeur des produits suivants:

- Portes de douche (garantie de cinq ans).
- Surfaces en acrylique (garantie de cinq ans contre le cloquage, le craquelage ou l'écaillage de la surface en acrylique).
- Structure en acrylique de la coque (garantie de 5 ans contre les fuites d'eau à travers le stratifié en fibre de verre de la coque en acrylique).
- Quincaillerie de la douche (poignée, charnières, fixations de support en caoutchouc, barre de support en métal et rails muraux) (garantie contre les défauts de fabrication et de matériel pour une période d'un an).

Garantie limitée: OVE garantit à l'acheteur original que dans un délai raisonnable après réception d'un avis de sa part, OVE réparera ou remplacera le produit, ou toute partie ou composante du produit visé, distribué par OVE, dont la défektivité de matériel ou de fabrication est établie à la satisfaction d'OVE, et qui est survenue pendant l'utilisation normale et pendant la période couverte par la garantie. La présente garantie limitée ne s'applique pas aux produits qui ont été endommagés, ou qui s'avèreraient défectueux, résultant de causes autres que des défauts de fabrication (notamment une installation inadéquate; l'absence d'entretien ou un entretien inapproprié; l'exposition à divers éléments, notamment des produits corrosifs, l'environnement ou l'eau; des modifications, une utilisation abusive ou incorrecte). La présente garantie ne s'étend pas aux dommages causés aux finis. La période de garantie débute à la date d'achat du produit par le client. La présente garantie s'applique exclusivement aux produits achetés et utilisés dans des applications non commerciales.

Procédure de réclamation dans le cadre de la garantie: Pour faire une réclamation, veuillez composer le **1-866-839-2888** afin de résoudre le problème et de lancer le processus de réclamation, ou communiquer par courriel à **info@ovedecors.com**. OVE pourra inspecter et évaluer les produits; tout produit ou composante de produit qui respectera les critères énoncés ci-haut relativement à la garantie sera réparé ou remplacé au gré d'OVE. Les pièces remplacées ou réparées seront expédiées sans frais pour le client au moyen d'un service de transport terrestre régulier uniquement. Tout autre mode d'expédition accéléré utilisé le sera aux frais du client.

EXONÉRATION ET EXCLUSION DE GARANTIE : La présente garantie se veut un énoncé complet et exclusif des conditions afférentes à toutes les garanties limitées offertes par OVE.

Dans les limites permises par la loi, autre que la garantie expresse donnée dans le présent document, OVE NE DONNE AUCUNE GARANTIE, EXPLICITE OU IMPLICITE, Y COMPRIS TOUTE GARANTIE IMPLICITE QUANT À LA GARANTIE MARCHANDE DU PRODUIT OU À SON ADÉQUATION À UN EMPLOI PARTICULIER.

La présente garantie vous confère des droits légaux spécifiques. Vous pourriez également jouir d'autres droits, qui varient en fonction de la législation étatique, provinciale ou nationale applicable, laquelle ne peut être niée ou modifiée par la déclaration d'exonération ci-dessus. Sauf dans la mesure permise, la déclaration d'exonération n'a pas pour objet d'annuler, de modifier, de décaler ou de modifier l'applicabilité de la législation étatique, provinciale ou nationale ayant prépondérance et qui serait incompatible avec les modalités de la présente garantie limitée ou exonération. Cependant, dans la mesure permise par la loi, aucune garantie implicite de qualité marchande ou d'adaptation n'est donnée ou accordée dans les présentes. Malgré cette mise en garde, si toute forme de garantie est imposée par la loi, dans la mesure permise, la durée de telles garanties implicites est limitée à la durée la plus courte entre la garantie expresse ou la prescription applicable en vertu de la loi en vigueur.

Les produits énumérés ci-dessus sont prévus pour une installation et une utilisation personnelle et résidentielle du consommateur. L'utilisation des produits à toutes autres fins, notamment à des fins commerciales, annule la présente garantie. La présente garantie limitée est uniquement applicable aux produits énumérés ci-dessus aux présentes, et aucune garantie n'est accordée à des produits non distribués par OVE. La garantie est applicable uniquement au premier acheteur au détail.

Transférabilité : La présente garantie ne peut être transférée.

RESTRICTION ET EXCLUSION DE RECOURS ET DOMMAGES : La seule responsabilité d'OVE en vertu de la présente garantie limitée est de réparer ou de remplacer, à son gré, tout produit ou composante de produit défectueux. L'acheteur convient qu'il s'agit du seul et unique recours qui lui est consenti en vertu de la garantie limitée. OVE ne peut être tenu responsable de quelques dommages accessoires, consécutifs, particuliers ou indirects, y compris la perte d'utilisation en conséquence de tout défaut de fabrication d'un produit. OVE ne sera pas responsable des frais de main-d'œuvre ou de tous autres frais associés aux travaux pour retirer ou installer les pièces visées par la garantie. Certaines lois étatiques, provinciales ou nationales n'autorisent pas l'exclusion ou la limitation des dommages accessoires ou consécutifs, donc cette restriction pourrait ne pas s'appliquer à votre cas.

Modification de produit : OVE se réserve le droit de changer, de modifier ou d'améliorer les produits sans être tenue d'incorporer ces modifications aux produits vendus ou installés précédemment.

Autorité et modification : Le vendeur au détail n'est pas le représentant d'OVE et n'est pas autorisé à modifier ou à changer les modalités de la garantie limitée. De plus, le détaillant ne peut lier OVE ni faire de représentation ou de promesses à l'égard du produit qui sont contraignantes pour OVE.

En cas de divergences entre la version anglaise et la version française, la version dans la langue d'origine fait foi.

TRAITEMENT ET ENTRETIEN

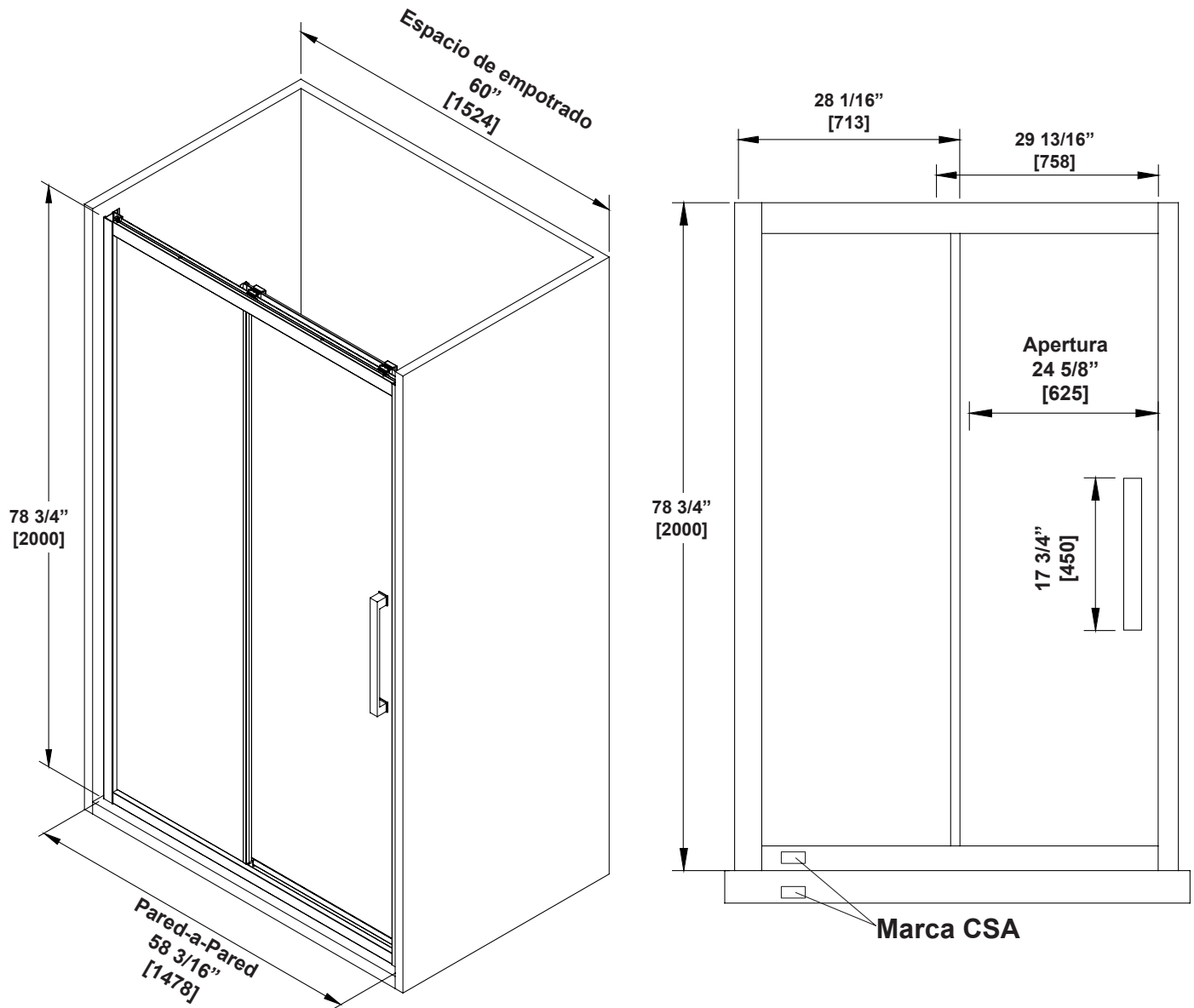
Utilisez un chiffon mouillé et un nettoyant liquide doux pour l'entretien quotidien.

N'utilisez jamais de nettoyants abrasifs contenant de l'acétone, du chlore ou du javellisant puissant, et évitez les grattoirs, les brosses métalliques et tout autre objet ou produit pouvant érafler ou ternir les surfaces.

Utilisez la clé à rochet pour serrer fortement tous boulons faisant partie d'une pièce supportant les panneaux fixes de verre et les portes. Ces boulons peuvent soutenir jusqu'à 250 lb*in de tension de serrage.

Vérifiez ces boulons tous les 4 mois et re-serrer les si nécessaire.

Medidas: pulgadas [milímetros]



Fecha de compra: _____ Seguimiento y referencia del producto: _____



Preguntas, problemas, piezas faltantes?

Antes de volver a la tienda, llame a nuestro departamento de servicio al cliente al 1-866-839-2888, 9 am. – 5 pm., HDE, Lunes a Viernes..

INFORMACIÓN DE SEGURIDAD

PRECAUCIÓN

Lea cuidadosamente la siguiente información importante antes de manipular e instalar la ducha. Hay riesgo de lesiones graves mientras se manipula el producto. Para minimizar estos riesgos, sírvase notar:

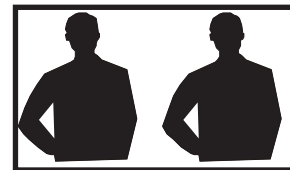
- Utilice siempre anteojos de seguridad y guantes durante la manipulación.
- Lea y siga siempre todos los pasos en las instrucciones de instalación.
- Inspeccione todo el contenido y el vidrio por daños antes de la instalación.
- Hay que prestar atención especial mientras se manipula el vidrio durante la instalación ya que el vidrio templado se puede despedazar al contacto con una superficie dura.
- Manipule el vidrio templado con precaución! Una manipulación inadecuada del vidrio puede ocasionar que se rompa.
- Observe siempre todas las precauciones para no tocar el vidrio templado con ninguna herramienta durante ni después de la instalación.
- No corte el vidrio templado puesto que se despedazará si se corta.
- Retire con cuidado los productos de envase y embalaje mantendrá hasta que la instalación se haya completado.
- Inspeccione todas las piezas en busca de daños, si hay daños en la unidad antes de la instalación, póngase en contacto con el servicio al cliente al teléfono que figura en esta guía.
- Instale la ducha en un piso que esté nivelado y pueda contener el peso de la unidad y de un ocupante.
- Consulte los códigos de construcción locales y normas requeridas antes de la instalación y asegúrese de cumplirlos.
- Después de la instalación, y de tiempo en tiempo, verifique el ajuste el acabado del vidrio para asegurarse de que nada se ha aflojado con el tiempo.
- Guarde este manual de instalación para consulta en el futuro.

ATENCIÓN

- Cualquier modificación o alteración con respecto a lo especificado en este manual de instrucción anulará toda la garantía de este producto.
- El distribuidor no se hace responsable por cualquier tipo de daño a la unidad o propiedad personal ocasionado por una instalación inadecuada. Ignorar estas instrucciones anulará la garantía y ocasionará daños potenciales por agua en su hogar.
- Consulte www.ovedecors.com para cualquier información adicional o pregunta sobre la instalación de este producto.

PREPARACIÓN

Necesitará al menos dos personas para instalar esta unidad de forma adecuada.



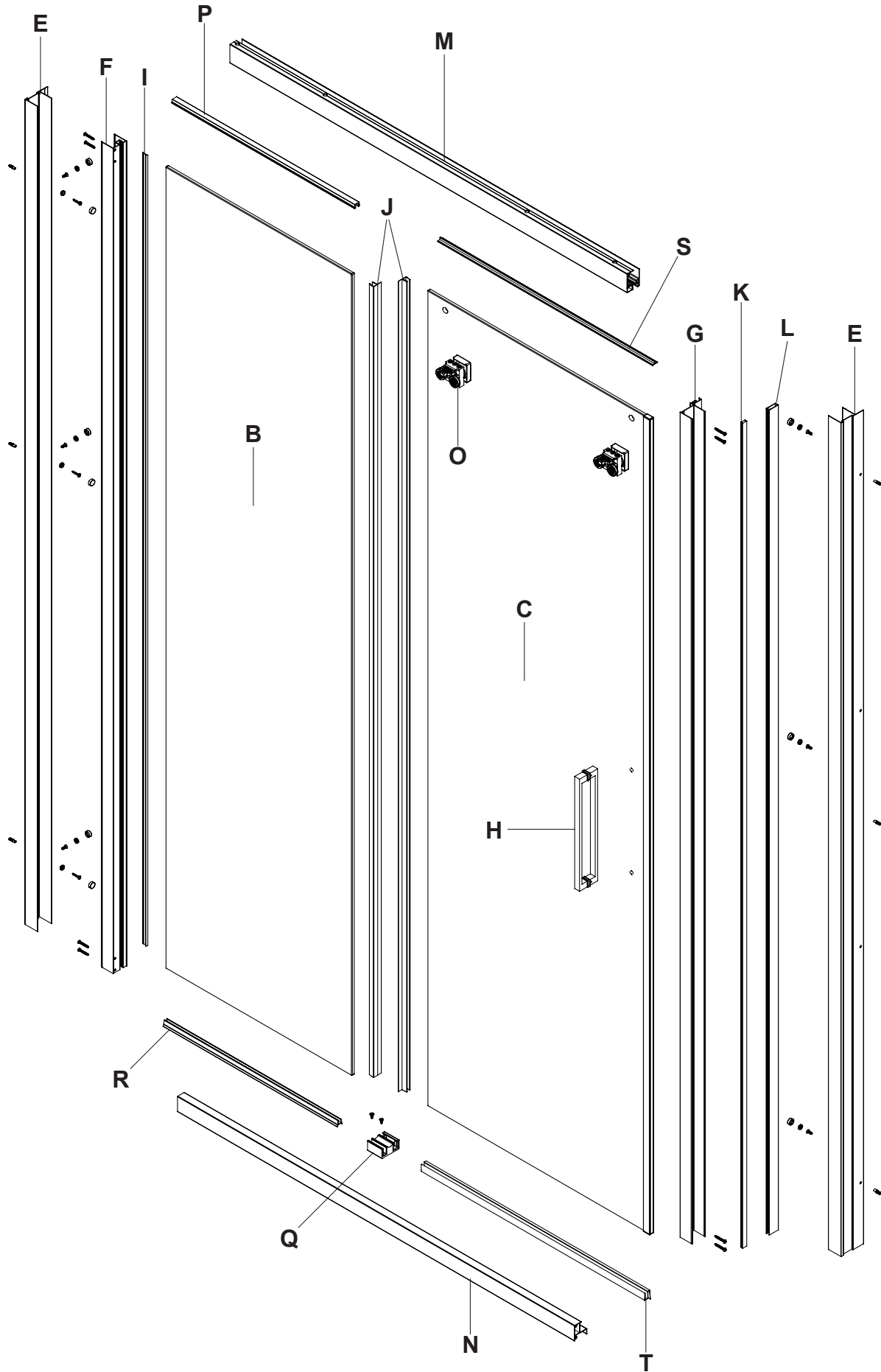
Antes de comenzar a ensamblar el producto, asegúrese de tener todas las piezas. Compare las piezas con la lista del contenido del paquete y la lista de aditamentos. No intente ensamblar el producto si falta alguna pieza o si estas están dañadas.

Tiempo estimado de ensamblaje: Ducha (60 min).

TABLA DE CONTENIDOS

CONTENIDO DEL PAQUETE.....	41
CONTENIDO DE HARDWARE.....	42
HERRAMIENTAS NECESARIAS.....	42
REVERSIBILIDAD DE LA DUCHA.....	43
GUÍA PARA LA INSTALACIÓN LA BASE (OPCIONAL).....	44
INSTALACIÓN DEL MARCO DE LA DUCHA	45
INSTALACIÓN DEL RIEL DE LA PARED.....	49
INSTALACIÓN DEL PANEL DE LA PUERTA.....	51
INSTALACIÓN DE LA MANIJA Y SELLADO.....	53
GARANTÍA LIMITADA DE PRODUCTOS.....	54
CUIDADO Y MANTENIMIENTO.....	54

CONTENIDO DEL PAQUETE

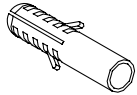


CONTENIDO DEL PAQUETE

PARTE#	DESCRIPCIÓN	CANTIDAD	CÓDIO
B	Panel fijo	1	99SG10058-WM
C	Panel de la puerta	1	99SGD0044-WM
E	Pistas de la pared	2	99STR0035-WM
F	Jamba mural	1	99STR0036-WM
G	Pista de esquina	1	99SRU0148-WM
H	Manija de la puerta	1	99SHA1035-WM
I	Empaquetadura	1	99SRU0149-WM
J	Sello de estanqueidad verticales de paneles de vidrio	2	99SRU0150-WM
K	Sello de estanqueidad magnético	1	99SRU0151-WM
L	Cubierta de la banda magnética	1	99SGC0043-WM
M	Parte superior del carril metálico	1	99SGS0030-WM
N	Parte inferior del carril metálico	1	99SGS0031-WM
O	Rodillo superior de puerta	2	99SWE0026-WM
P	La tira superior del panel fijo	1	99SRU0157-WM
Q	Guía de la puerta (con sello de estanqueidad)	1	99SGC0044-WM
R	Sello de estanqueidad en parte inferior del panel fijo	1	99SRU0158-WM
S	La tira aluminio superior de la puerta	1	99STR1051-WM
T	Sello de estanqueidad en parte inferior de puerta	1	99SRU0159-WM
U	Contenido de hardware	1	99SHW0117-WM

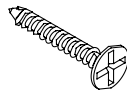
CONTENIDO DE HARDWARE

AA



Tarugo
ø6x30mm
6+2

BB



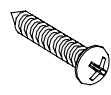
Tornillo
ST4x30mm
6+2

CC



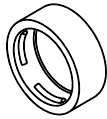
Tornillo
ST4x12mm
8+2

DD



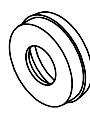
Tornillo
ST4x20mm
8+2

EE



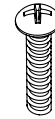
Capuchón
12x

FF



Accesorio
12x

GG



Perno
M4x30mm
2x

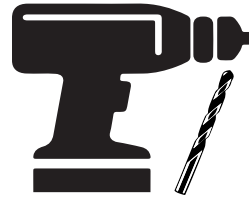
HERRAMIENTAS NECESARIAS



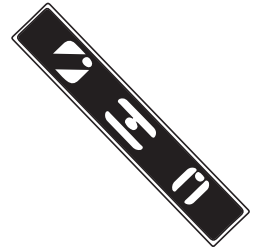
Lápiz



Destornillador



Taladro con brocas para cerámica
ø1/8" (3mm) & ø1/4" (6mm)



Nivel



Cinta medidora



Silicona



Mazo de goma



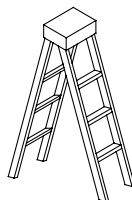
Cuchilla



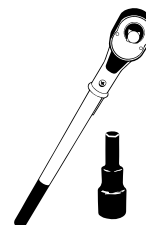
Anteojos de seguridad



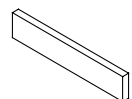
Llave Allen
2.5 & 4 & 5mm



Escalera



Llave de trinquete
5mm Bit socket

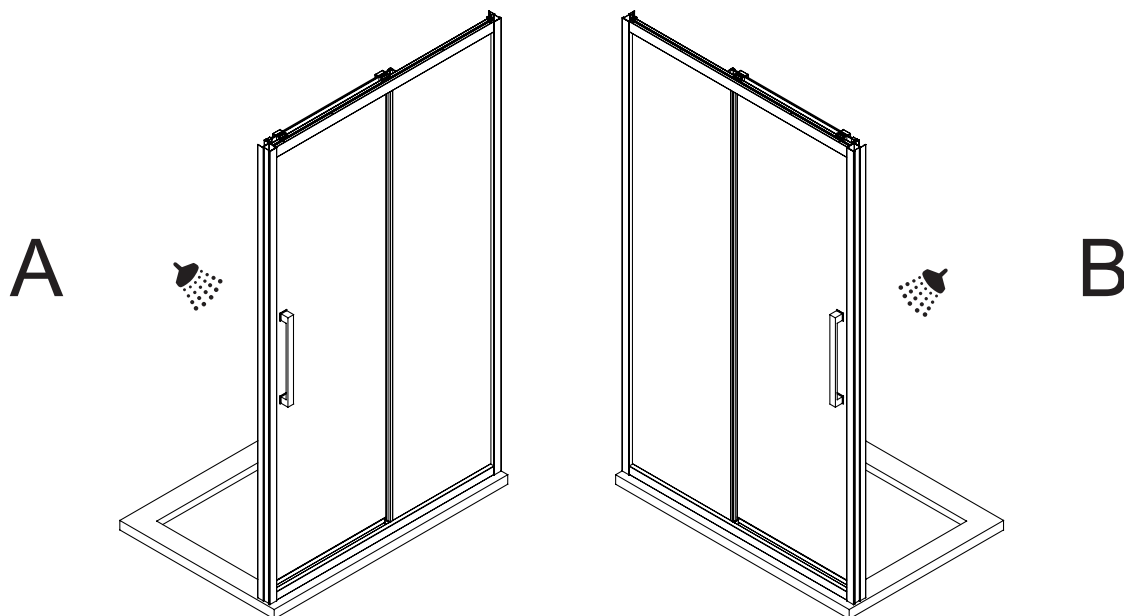


Pedazo de madera

REVERSIBILIDAD DE LA DUCHA

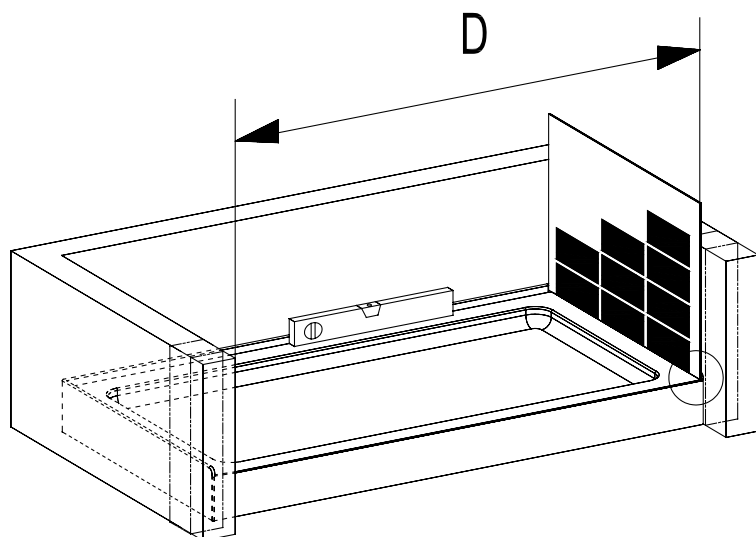
- Estas instrucciones fueron elaboradas para una abertura de puerta de derecha a izquierda (ilustración B).
- Para una abertura de izquierda a derecha (ilustración A), siga estas mismas instrucciones, pero cambie el lugar para la ubicación del riel: efecto espejo.

! ¡Instale la cabeza de la ducha hacia el lado de la puerta! Esto reducirá el riesgo de escape de agua.



DE PARED A PARED MEDIDAS

- Mida el espesor de las baldosas antes de instalar los rieles metálicos. Una baldosa más espesa limitará el espacio para instalar los paneles de la ducha.
- Asegúrese de tener una distancia baldosa a baldosa entre D Min: 1478mm (58 3/16 pulg.) Min y 1493mm (58 3/4 pulg.) Max (ver imagen).

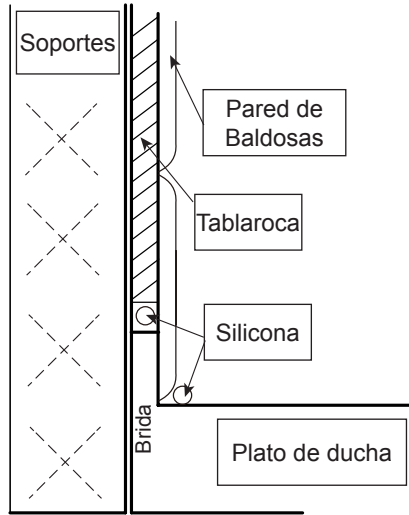


Asegúrese de tener una distancia (D) de baldosas en el lado izquierdo de la teja en el lado derecho:

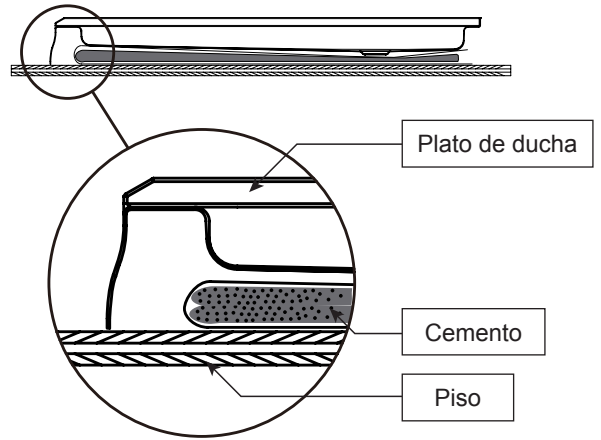
D Min: 1478mm (58 3/16 pu)
D Max: 1493mm (58 3/4 pu)

PAUTAS PARA LA INSTALACIÓN BASE (OPCIONAL)

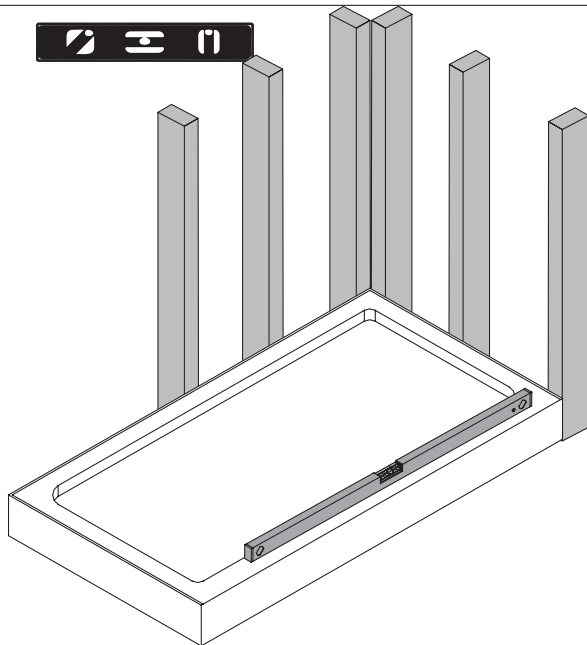
1



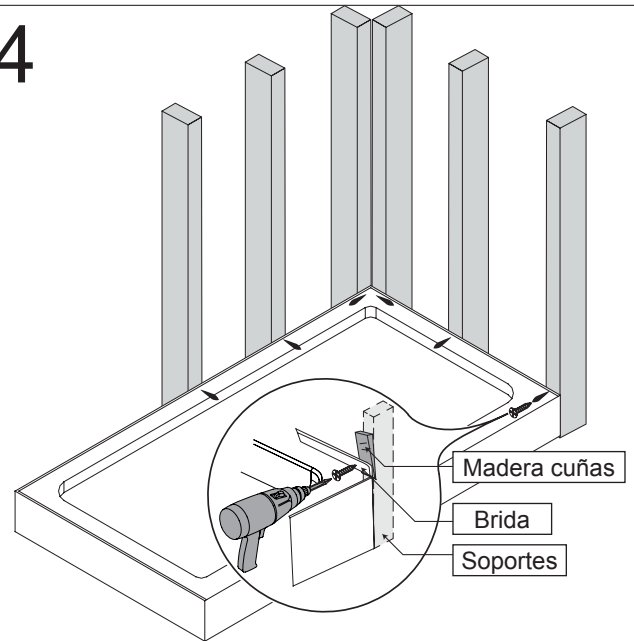
2



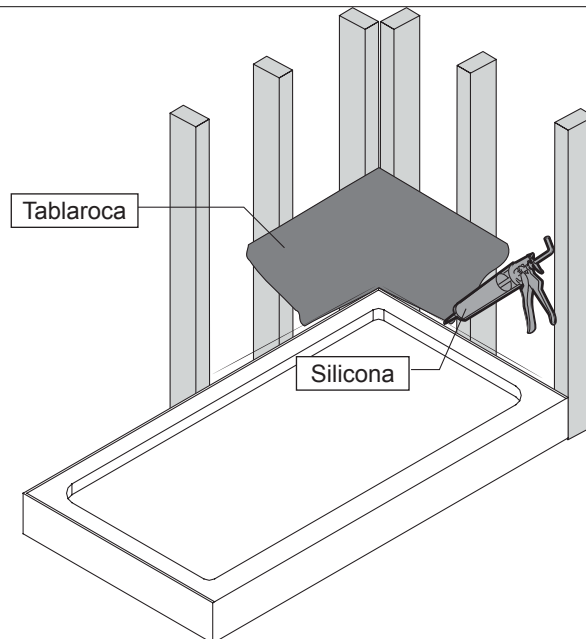
3



4

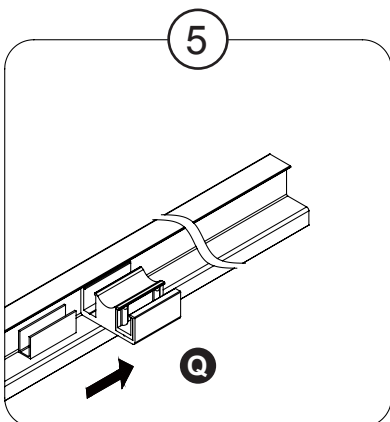
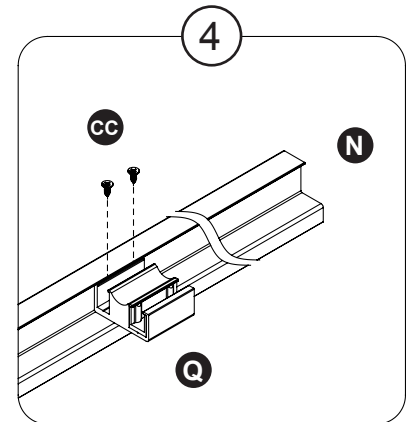
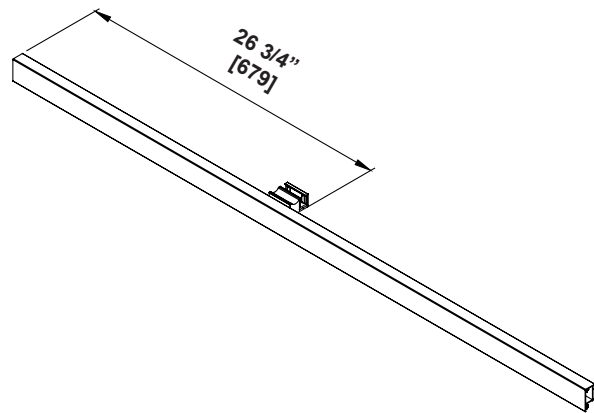
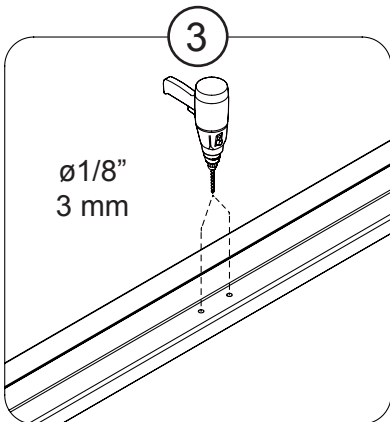
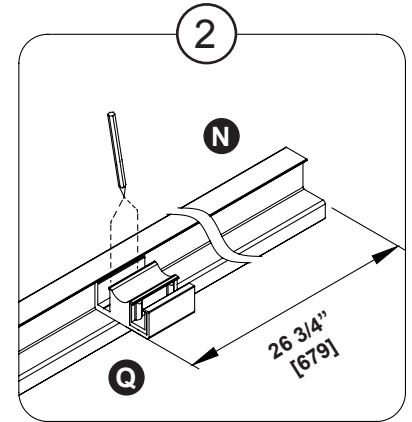
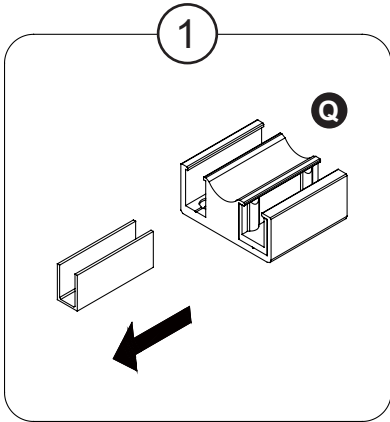


5



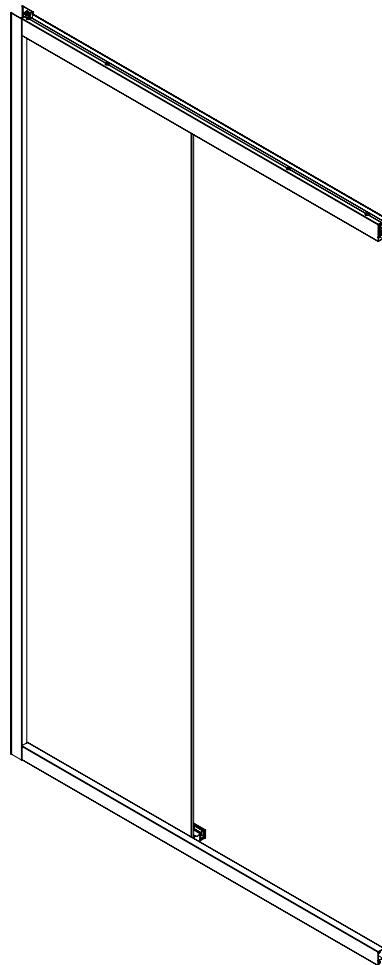
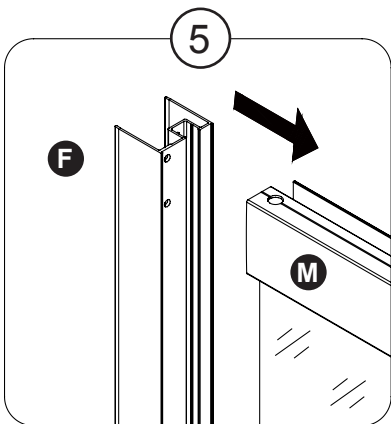
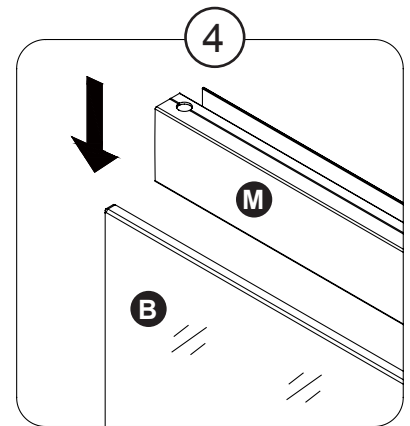
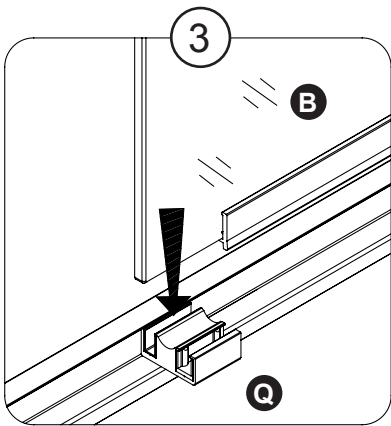
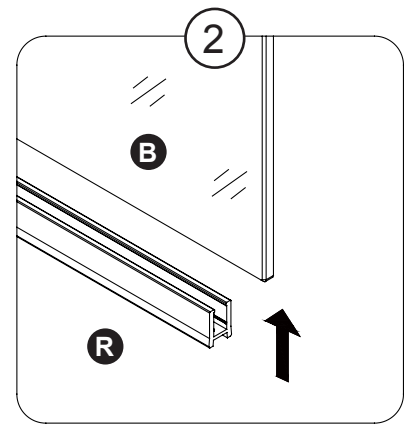
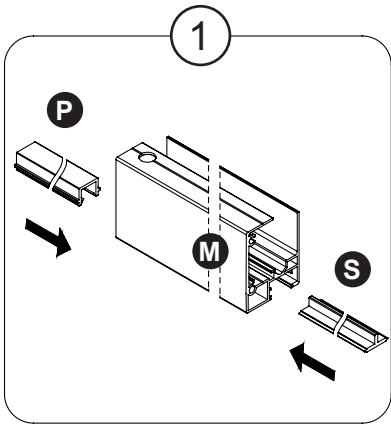
INSTALACIÓN DEL MARCO DE LA DUCHA

1. Tomar la goma del corredizo guiador de la puerta (Q).
2. Poner el corredizo guiador de la puerta (Q) en el carril metálico inferior (N) y marque la posición de los dos hoyos.
3. Perfore los agujeros guía con una broca de $\varnothing 1/8''$ (3mm).
4. Fijar el corredizo guiador de la puerta (Q) con tornillos (CC).
5. Vuelva a colocar la goma al corredizo guiador de la puerta (Q).



INSTALACIÓN DEL MARCO DE LA DUCHA

1. Inserte la tira superior del panel fijo (P) y la tira aluminio superior de la puerta (S) en el parte superior del carril metálico (M).
2. Inserte la sello de estanqueidad en parte inferior del panel fijo (R) en la base del panel fijo (B).
3. Coloque el panel fijo (B) en el guía (Q) de la puerta corrediza.
- 4-5. Pone el parte superior del carril metálico (M) y la jamba mural (F) en el panel fijo (B).

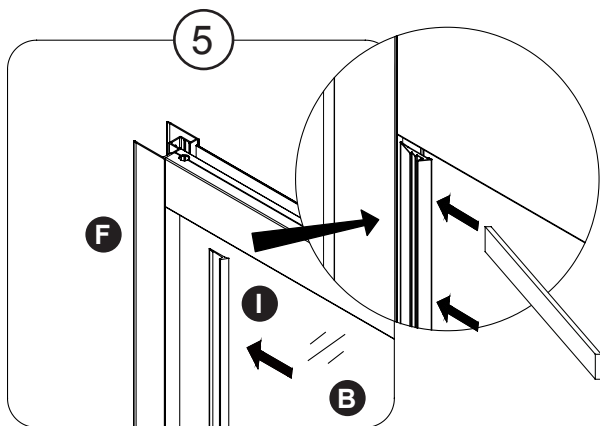
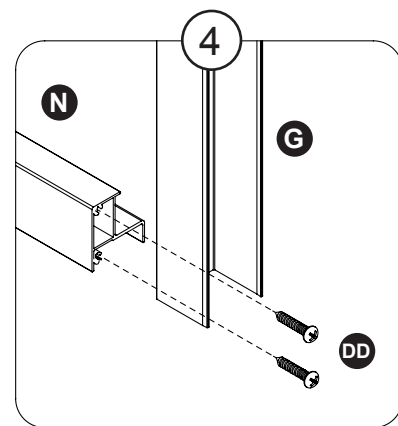
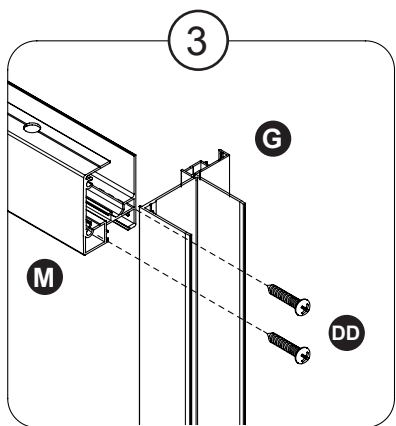
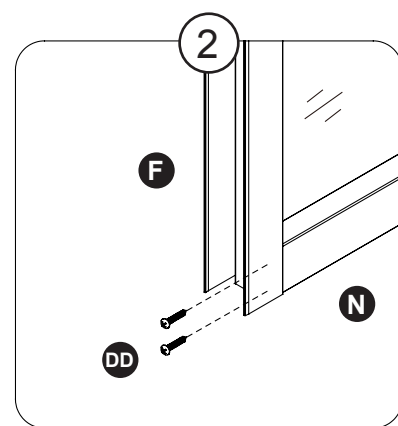
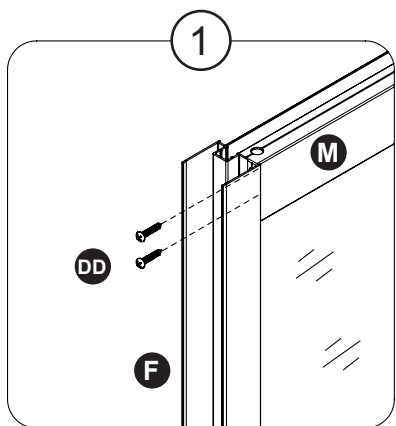


INSTALACIÓN DEL MARCO DE LA DUCHA

1-2. Instale la jamba mural (F) en el parte superior del carril metálico (M) y en el parte inferior del carril metálico (N) utilizando los tornillos (DD).

3-4. Instale la pista de esquina (G) en el parte superior del carril metálico (M) y en el parte inferior del carril metálico (N) utilizando los tornillos (DD).

5. Coloque la empaquetadura (I) entre el panel fijo (B) y el jamba mural (F). Utilice un pedazo de madera para ayudar ya que estará muy apretado.



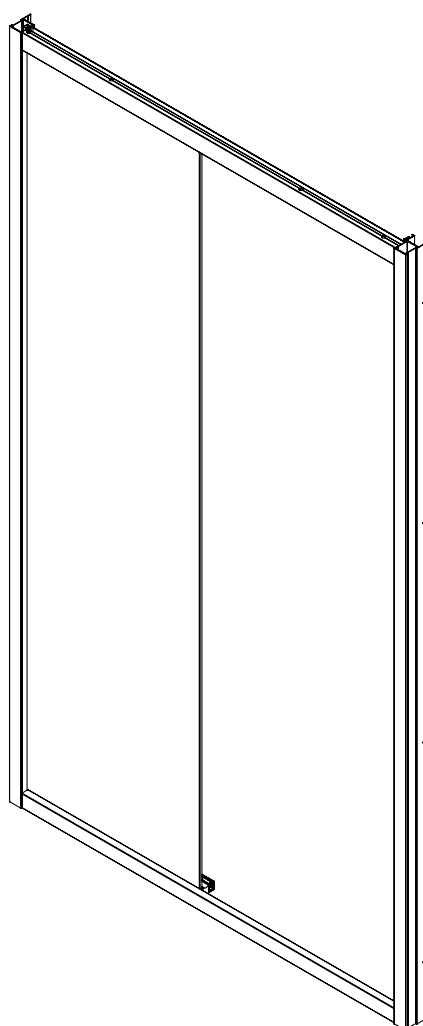
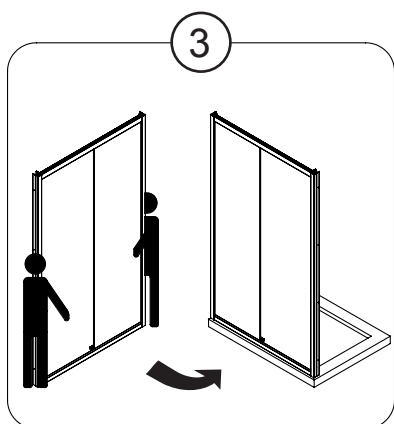
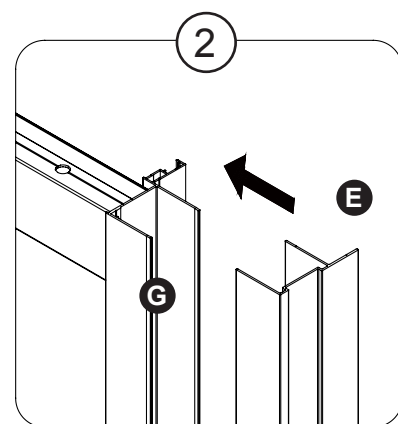
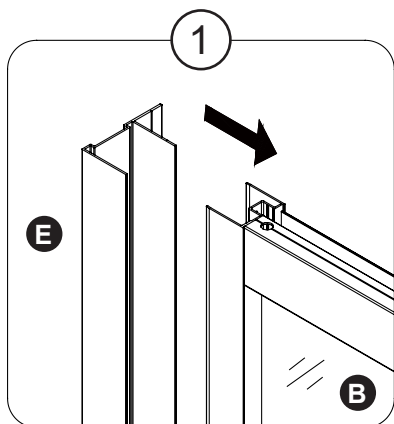
Consejos útiles

Utilice una escalera para facilitar la instalación.

INSTALACIÓN DEL MARCO DE LA DUCHA

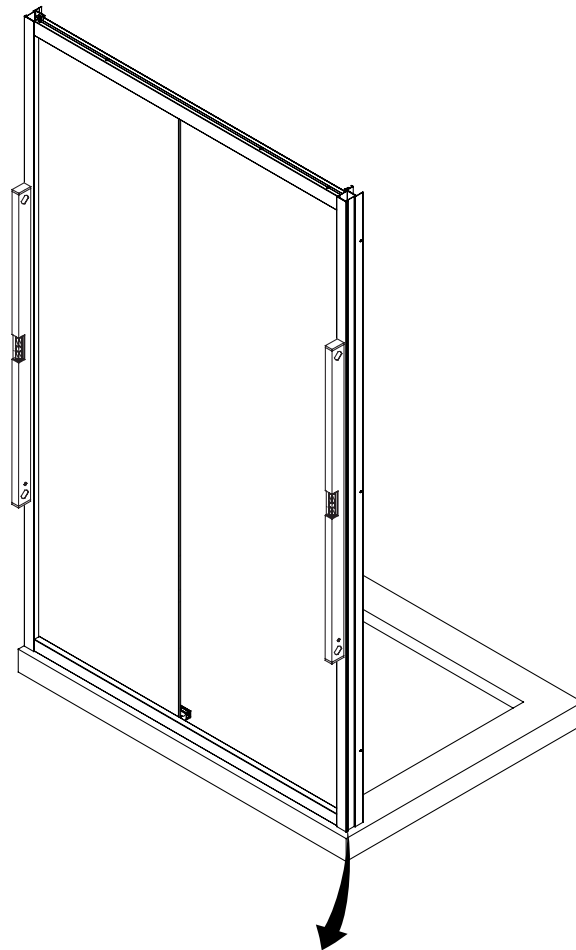
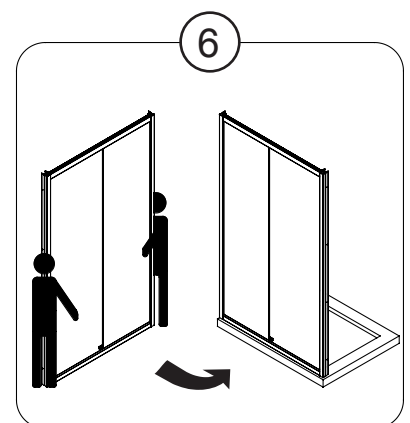
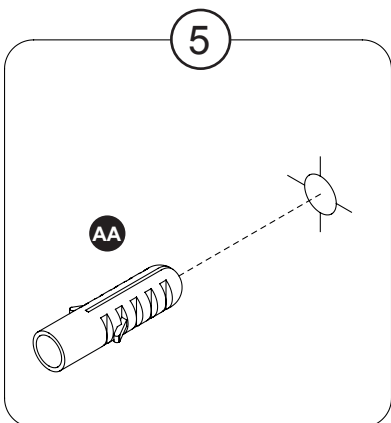
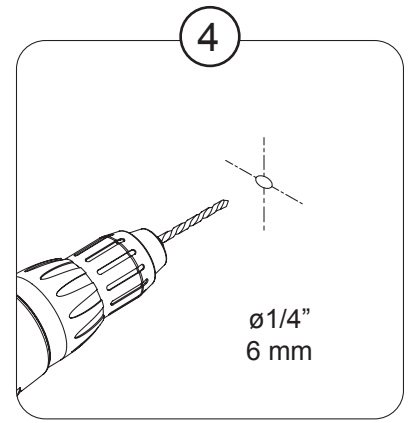
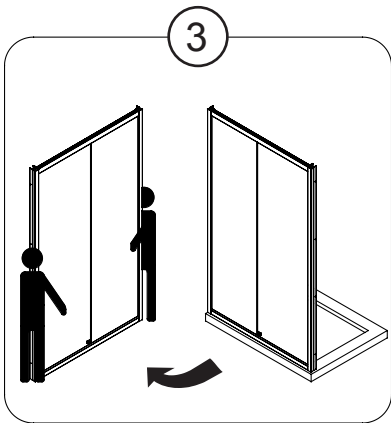
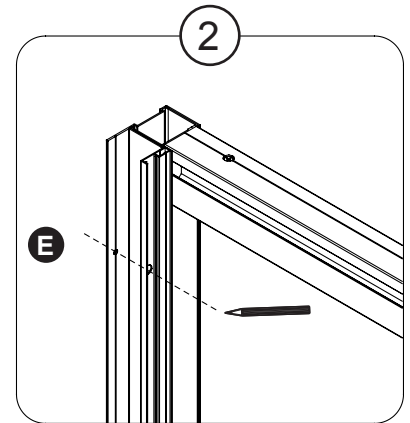
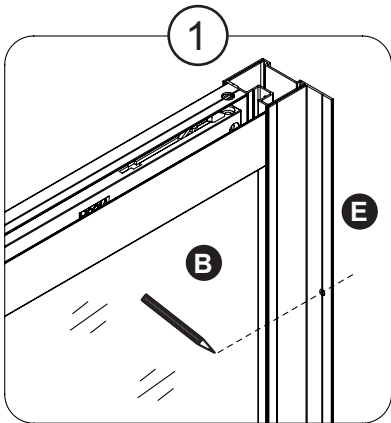
1-2. Poner las dos pistas de la pared (E) en el panel fijo (B) y el pista de esquina (G).

3. Coloque toda la ducha sobre la base.



INSTALACIÓN DEL RIEL DE LA PARED

- 1-2. Asegurar que la base y ducha están nivelados. Marque la posición de los hoyos de la pista de la pared (E) en la pared.
3. Retire el marco de la ducha.
- 4-5. Tornilla los hoyos en la posición marcado con el $\varnothing 1/4"$ (6mm) tornillo. Inserte los tarugos (AA) con un mazo de goma hasta que estos queden al ras de la pared.
6. Poner la estructura de la ducha encima de la base.



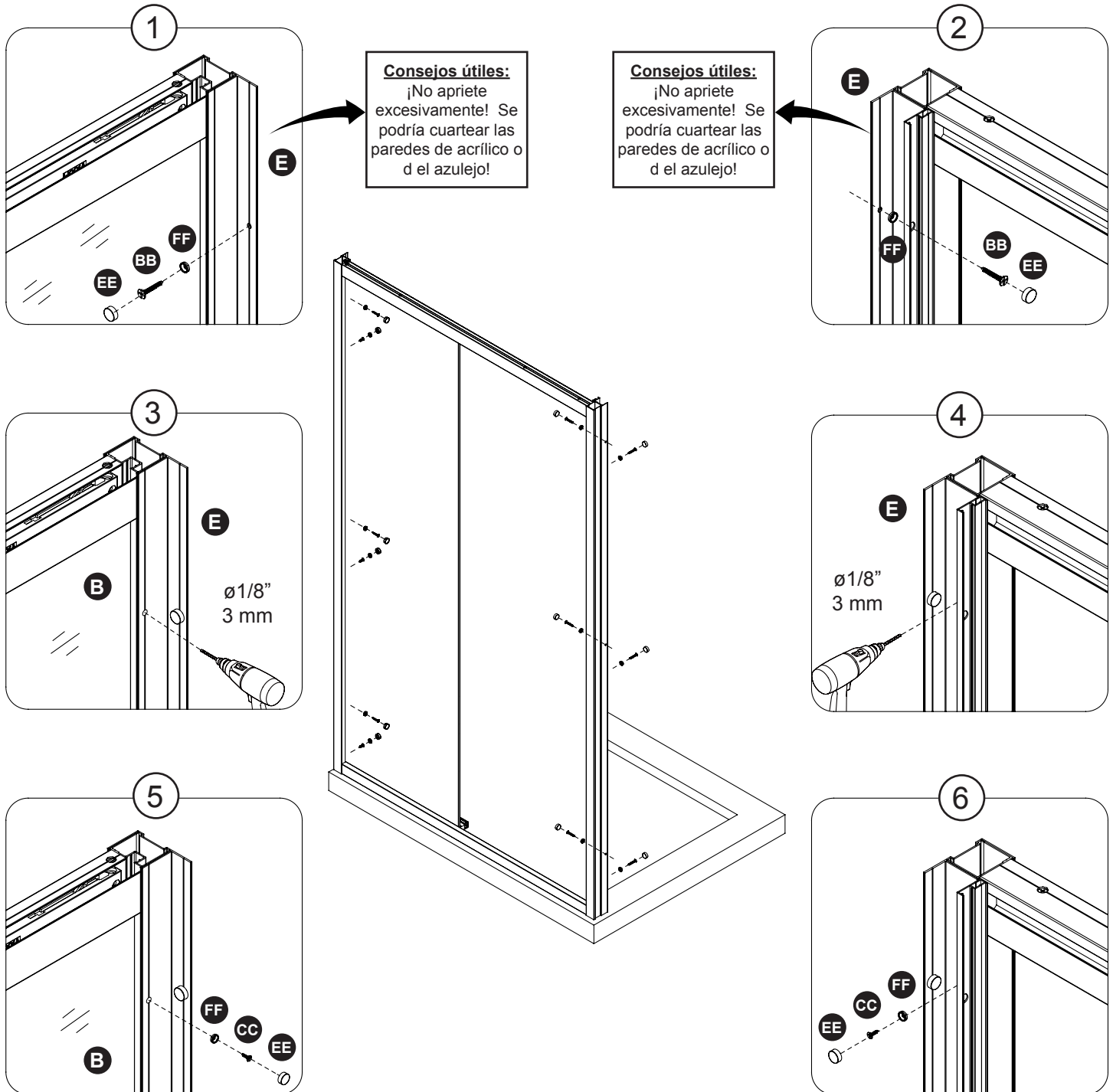
Consejos útiles:
¡Asegúrese de que el montante de soporte esté ubicado detrás del muro en seco, detrás de los rieles!

INSTALACIÓN DEL RIEL DE LA PARED

1-2. Fije el pistas de la pared (E) utilizando los tornillos (BB), los accesorios (FF) y los capuchones (EE).

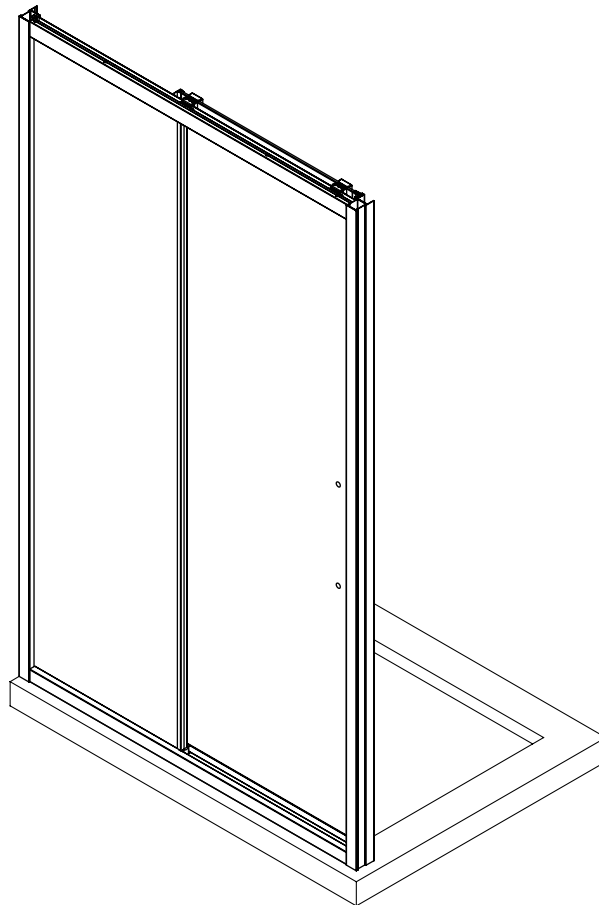
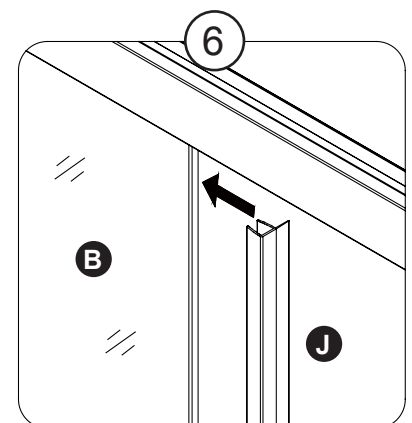
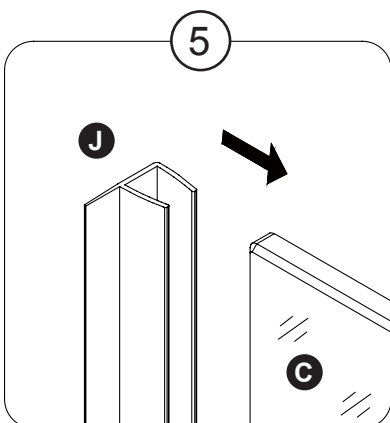
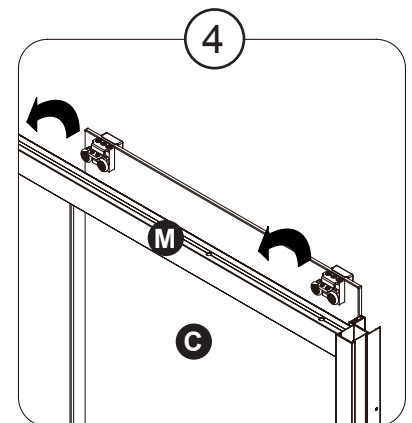
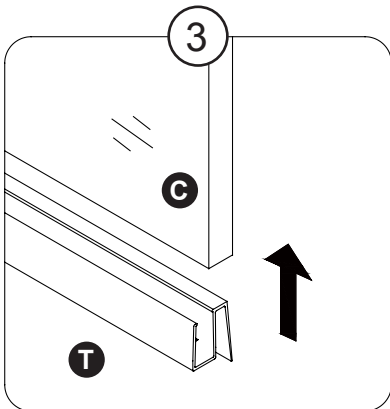
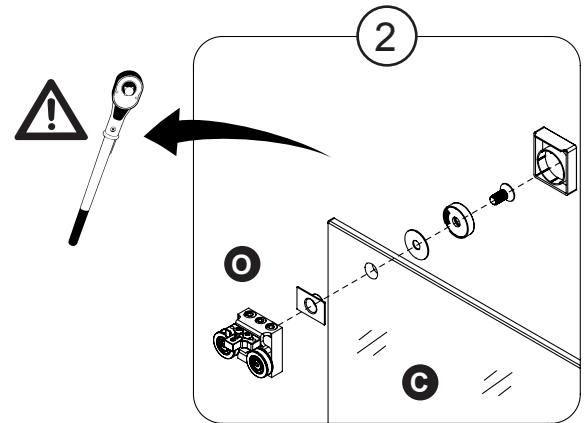
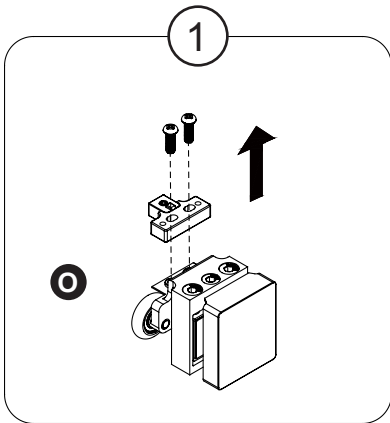
3-4. Perfore el pistas de la pared (E) con una broca de $\varnothing 1/8''$ (3mm) en 3 sitios.

5-6. Fije el pistas de la pared (E) utilizando los tornillos (CC), los accesorios (FF) y los capuchones (EE).



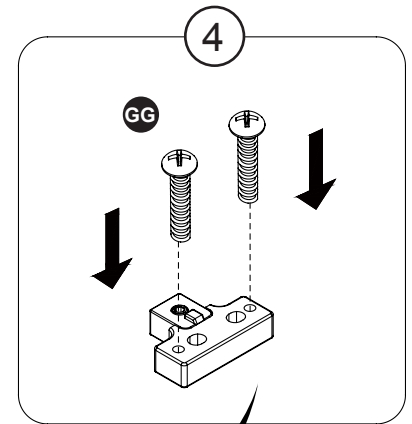
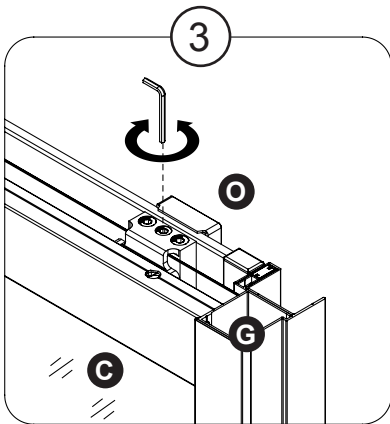
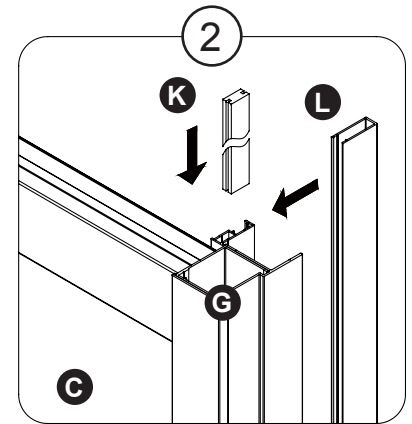
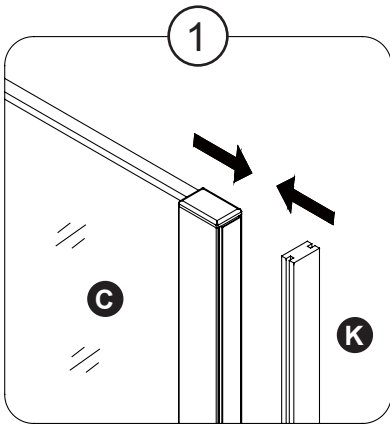
INSTALACIÓN DEL PANEL DE LA PUERTA

1. Desinstala el T perfil de los rodillos superiores de la puerta (O).
2. Instale los 2 rodillos superiores (O) en el panel de la puerta (C). Utilice una llave de trinquete para apretar firmemente los pernos.
3. Inserte la sello de estanqueidad en parte inferior de puerta (T) en el panel de la puerta (C).
4. Coloque la puerta (C) en la parte superior del carril metálico (M)
- 5-6. Coloque las sello de estanqueidad verticales de paneles de vidrio (J) en la puerta (C) y en el panel fijo (B).

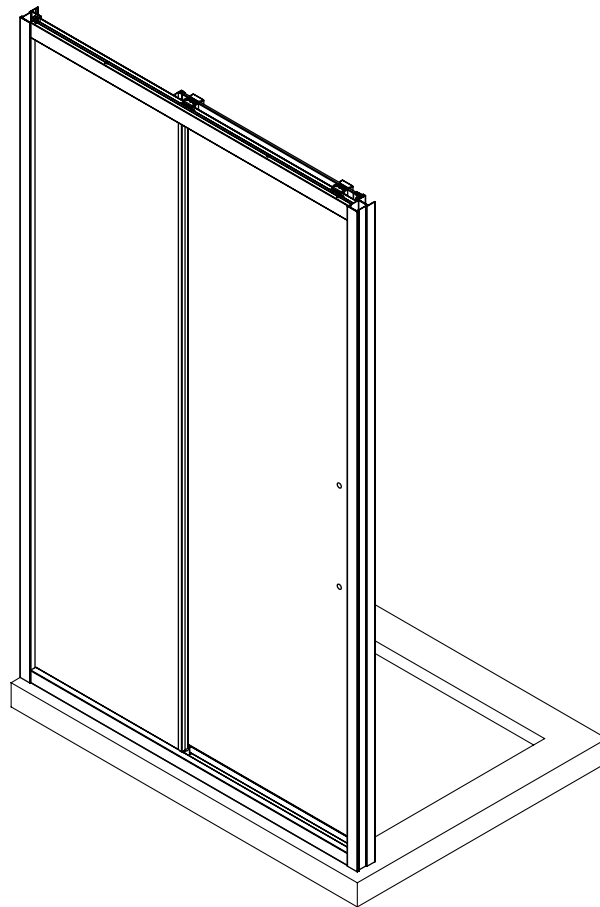
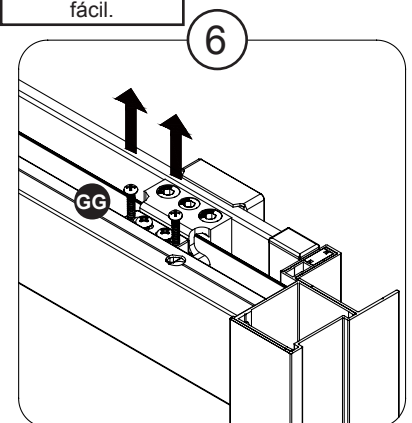
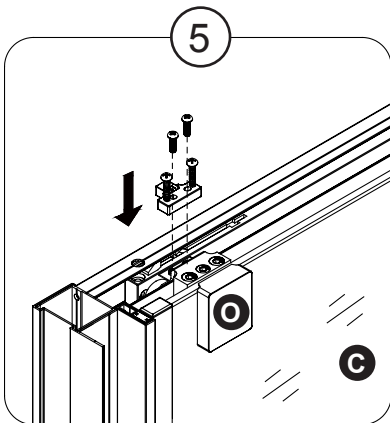


INSTALACIÓN DEL PANEL DE LA PUERTA

1. Averigüe cual lado de la sello de estanqueidad magnético (K) atrae el imán de la puerta.
2. Inserte la sello de estanqueidad magnético (K) en el pista de esquina (G). Asegúrese de insertarla con el lado que atrae frente al imán de la puerta. Después instale el cubierta de la banda magnética (L) en la pista de esquina (G).
3. Ajustar el ángulo de la puerta (C) usando el tornillo centro de los rodillos superiores de la puerta (O) para asegurar la seguridad entre la puerta (C) y la pista esquina (G).
4. Instale los tornillos auxiliares (GG) al T perfil.
5. Instale el T perfil de vuelvo a los rodillos superiores de la puerta (O).
6. Saque los tornillos (GG).



Consejos útiles:
Utilizando los tornillos auxiliares para instalar el T perfil será más fácil.



INSTALACIÓN DE LA MANIJA Y SELLADO

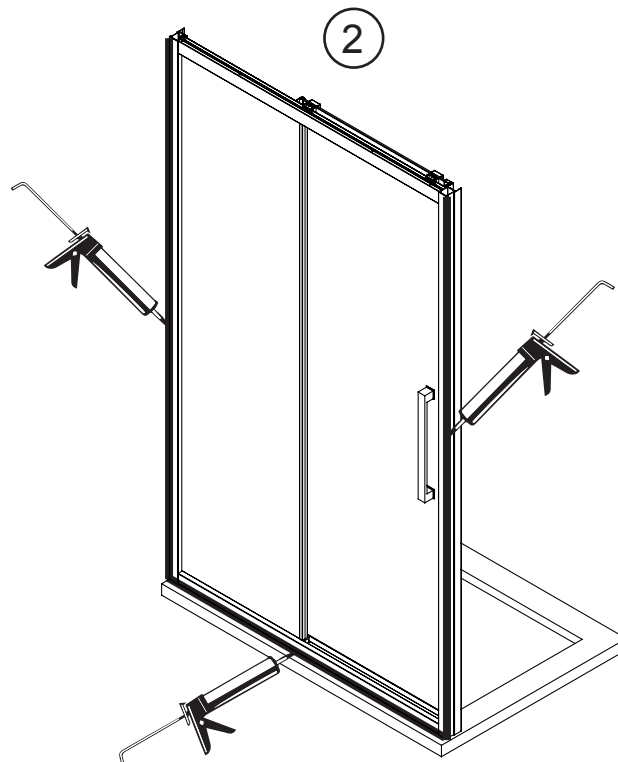
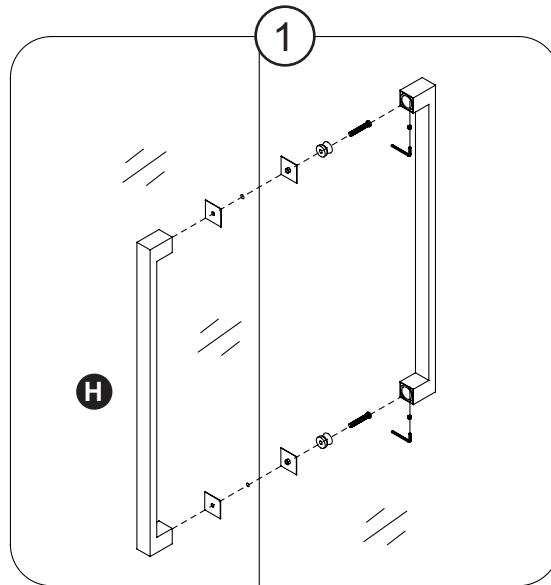
1. Instale la manija (H) de la puerta.

2. Asegúrese de que la puerta cierre firmemente y abra suavemente y que haya una conexión apretada entre el panel de vidrio y el riel al igual que con la barra se soporte.

Aplique silicona transparente resistente al agua alrededor del perímetro interno y externo de todos los componentes de la ducha (horizontalmente entre la parte inferior del panel de vidrio y la base, al igual que verticalmente (entre la pared, el riel y el panel de vidrio)).

Deje secar la silicona durante 24h.

La aplicación inadecuada de la silicona puede resultar en fugas durante el uso de la ducha.



OVE Decors ULC

Garantía LIMITADA de productos

OVE es un distribuidor de los siguientes productos:

- Puertas de ducha (periodo de garantía de 5 años).
- Superficies acrílicas (periodo de garantía de 5 contra formación de burbujas, grietas o desportilladuras en la superficie de acrílico).
- Estructura de cubierta de acrílico (periodo de garantía de 5 años contra la pérdida de agua a través del laminado de fibra de vidrio del cuerpo de acrílico).
- Accesorios de ducha (manijas, bisagras, clips de soporte de caucho, barras de soporte de metal y rieles murales) (periodo de garantía de 1 año contra defectos en materiales y mano de obra).

Garantía limitada: OVE le garantiza al comprador minorista original que dentro de un tiempo razonable después de la notificación de parte del comprador, OVE reparará o reemplazará el producto, o cualquier pieza o componente del producto cubierto, distribuido por OVE el cual, a la satisfacción de OVE, ha resultado defectuosos en mano de obra o materiales, y el cual ha fallado durante el uso normal y dentro del periodo de garantía. Esta Garantía limitada no se aplica a productos que han sido dañados, o que han fallado como resultado de causas distintas de defectos de fabricación (tales como pero sin limitarse a instalación inadecuada; falta de cuidado o mantenimiento o si éstos son inadecuados; exposición a los elementos incluyendo productos y ambientes corrosivos o agua; alteración; abuso o uso inapropiado. Esta garantía no cubre daños a acabados. La garantía comienza en la primera fecha en que un Producto es comprado por el cliente. Esta garantía se aplica exclusivamente a productos comprados y usados en aplicaciones no comerciales.

Procedimiento de reclamación de garantía: Para hacer una reclamación, sírvase llamar al **1-866-839-2888** para resolver el problema y comenzar el proceso de reclamación, o escribir al correo electrónico **infoovedecors@gmail.com**. Los productos pueden ser inspeccionados o evaluados por OVE y cualquier producto o componente que llegue a cumplir con los criterios de garantía expuestos arriba será reparado o reemplazado a discreción de OVE. Las piezas reemplazadas o reparadas serán enviadas sin costo alguno al cliente por vía terrestre únicamente. Cualquier método de envío acelerado será por cuenta del cliente.

EXONERACIÓN DE RESPONSABILIDAD Y EXCLUSIÓN DE GARANTÍAS: Esta garantía es considerada la exposición completa y exclusiva de los términos de todas las garantías limitadas ofrecidas por OVE.

Hasta donde lo permita la ley, fuera de la garantía expresa detallada en este instrumento, NO HAY GARANTÍAS, EXPRESAS NI IMPLÍCITAS, INCLUYENDO GARANTÍAS IMPLÍCITAS DE COMERCIALIDAD O CONVENIENCIA PARA UN FIN PARTICULAR, OFRECIDAS POR OVE.

Esta garantía le da derechos legales específicos. Es posible que también tenga derechos, que pueden variar según legislaciones estatales, provinciales o nacionales pertinentes, que no podrán ser sometidos a renuncia ni ser modificados por la exoneración de responsabilidad mencionada arriba. Excepto lo permitido, la exoneración de responsabilidad no está destinada a generar la renuncia, modificar, liberar o limitar la aplicabilidad de legislaciones preventivas estatales, provinciales o nacionales inconsistentes con los términos de esta Garantía limitada y Exoneración de responsabilidad. Sin embargo, hasta donde la ley lo permita, ninguna garantía implícita de comercialidad o conveniencia es considerada bajo la presente garantía. No obstante la Exoneración de responsabilidad, si cualquier garantía implícita es impuesta por la operación de la ley, hasta donde se permita, la duración de dichas garantías implícitas está limitada al término más corto de la garantía expresa o el estatuto aplicable de limitaciones.

Los Productos mencionados arriba están destinados a ser instalados y utilizados para fines personales y consumo residencial. El uso del producto para cualquier otro fin, como fines comerciales anulará esta garantía. La Garantía limitada es aplicada únicamente a los Productos detallados en esta garantía, y no se da ninguna garantía a productos no distribuidos por OVE. Esta garantía es aplicable únicamente al primer comprador minorista.

Transferibilidad: Esta garantía no es transferible.

LIMITACIÓN Y EXCLUSIÓN DE REMEDIOS Y DAÑOS: La única responsabilidad de OVE bajo esta Garantía limitada será la reparar o reemplazar, a su discreción, cualquier Producto o componente defectuoso. El comprador acepta que éste es el remedio único y exclusivo bajo esta Garantía limitada. OVE no será responsable de ningún daño incidental, resultante, especial o indirecto, incluyendo pérdida de uso como resultado de cualquier defecto de fabricación en el Producto. OVE no será responsable de mano de obra, ni de cualquier otro costo asociado al retiro o a la instalación de piezas bajo garantía. Algunas legislaciones estatales, provinciales o nacionales no permiten la exclusión de daños incidentales o resultantes, entonces puede que esta limitación no se aplique a usted.

Modificación de productos: OVE se reserva el derecho de cambiar, modificar o mejorar los Productos sin la obligación de incorporar dichos cambios en Productos previamente vendidos o instalados.

Autoridad y modificación: El vendedor minorista no es agente de OVE y no está autorizado a cambiar o modificar los términos de esta Garantía limitada. Además, el vendedor minorista no podrá obligar a OVE ni hacer declaraciones o promesas respecto al Producto, que puedan comprometer a OVE.

MANTENIMIENTO

Para mantenimiento diario, utilice un paño húmedo y un limpiador líquido suave.

Nunca utilice abrasivos o limpiadores que contenga acetona, cloro o blanqueadores fuertes, espátulas o cepillos de cerdas metálicas, ni objetos o productos que puedan raspar o deslucir las superficies.

Utilice un trinquete para apretar firmemente a cualquier pernos utilizados para soportar los paneles de vidrio fijos o panel de puertas (pernos de soporte pueden soportar hasta 250 lbf * in de torque).

Compruebe el tornillo de la rueda cada 6 meses y apriete de nuevo si es necesario.