

OVE SMART TOILET

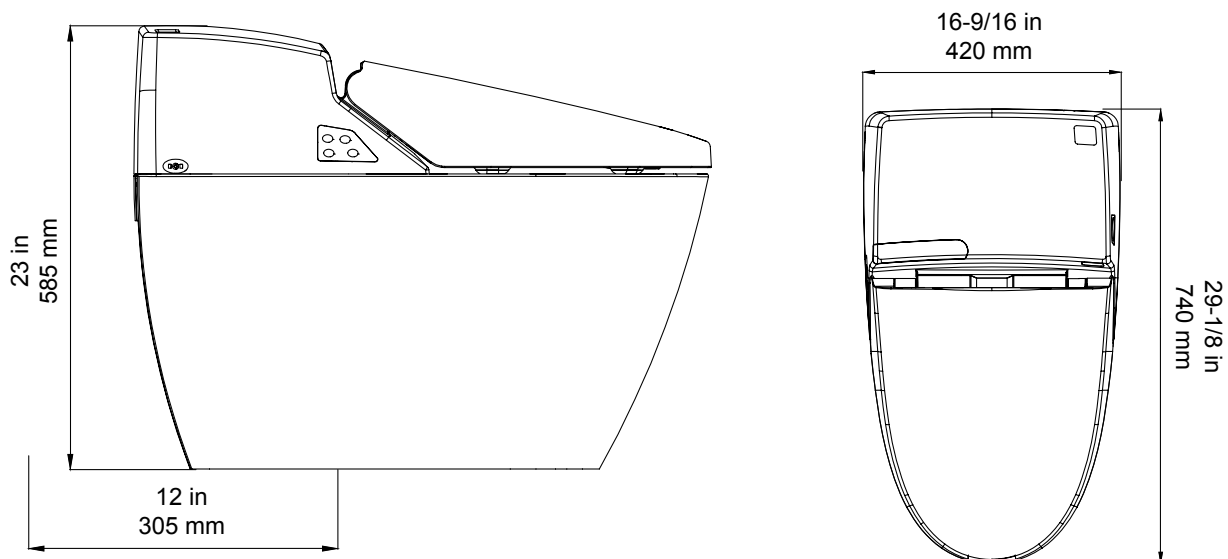
Model ALFRED (IT-415)

INSTRUCTION MANUAL



WATCH OUR YOUTUBE INSTALLATION VIDEO

<https://youtu.be/Fitsmm5qjcM>



Thank you for choosing OVE SMART TOILET. Please read and understand this entire manual before attempting to assemble, operate or install this product.

CONTENT

SAFETY NOTICE	p.3
WARNINGS	p.4
PART LIST	p.5
INSTALLATION INSTRUCTIONS	p.6-8
FIRST TIME USE	p.9
CONTROLS DESCRIPTION	p.10-11
FEATURES	p.12
INTELLIGENT FEATURES	p.13
CLEANING THE FILTER	p.14
LONG TERM STORAGE	p.15
NOZZLE MAINTENANCE	p.15
SPECIFICATION SHEET	p.16
MAINTENANCE & CONSUMER RESPONSIBILITIES	p.17
LIMITED 1 YEAR WARRANTY	p.17
INFORMATION ABOUT YOUR WARRANTY COVERAGE	p.17
NOTES ON WARRANTY	p.17
FOR WARRANTY SERVICE	p.17
INSTALLATION PICTURE	p.18
CONTACT US	p.19

SAFETY NOTICE

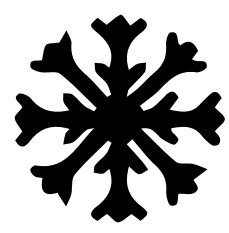
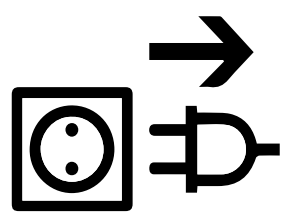
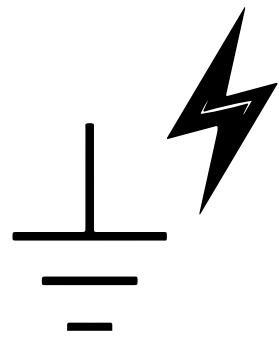
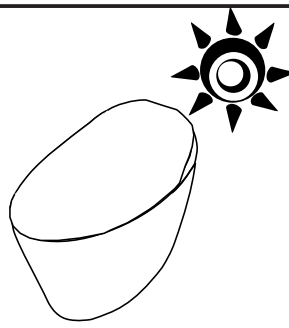


ATTENTION!
BEFORE INSTALLING THE PRODUCT, YOU MUST READ AND UNDERSTAND CAREFULLY ALL BELOW WARNINGS.

1. It is forbidden to disassemble toilet by yourself.
2. Please do not set this product in a wet place, because it is an electronic product. If set in the bathroom, please insure that there is proper air flow.
3. Please insure that the product is set more than 0.6 meter away from the bathtub.
4. Please make sure electric power is AC 120V. Ensure the electrical socket can bare a load of 500W power (or else it can cause fire or electrical shock).
5. Please make sure the electrical source is well grounded.
6. Please do not put any water or detergent on the product or its electrical plug.
7. Do not touch the electrical plug with a wet hand (or else it can cause fire or electric shock).
8. Do not use the product if it has these following problems. When any of the following problems occur, turn off the electricity and close the water valve.
 - Water leaking from the pipe or the main body.
 - Crack or breakage
 - Abnormal sound or smell of the product
 - Smoke coming out from the product
9. Keep any flame or flammable products away from the toilet.
10. Please do not step on the toilet seat, the seat cover, the main body, or put anything heavy on the product. Otherwise, the product may break and may cause injury or the product may break and may cause indoor flooding.
11. Please do not put your finger or anything else into the outlet of the drying blower.
12. Please do not touch or cover the drying blower outlet with clothes, or it may lead to burn injury or electric shock.
13. Please do not tightly bend or press the flexible supply hose, or it may lead to water leakage or it may decrease the water pressure.
14. Please clean the product with soft cleaning products.
15. Please do not use any harsh detergents to clean the product.
16. Please do not throw anything other than toilet paper into the toilet or it may lead to blockage and indoor flooding.
17. Please be careful to not let objects like a comb, toothbrush or other stuff fall into the toilet.

WARNINGS

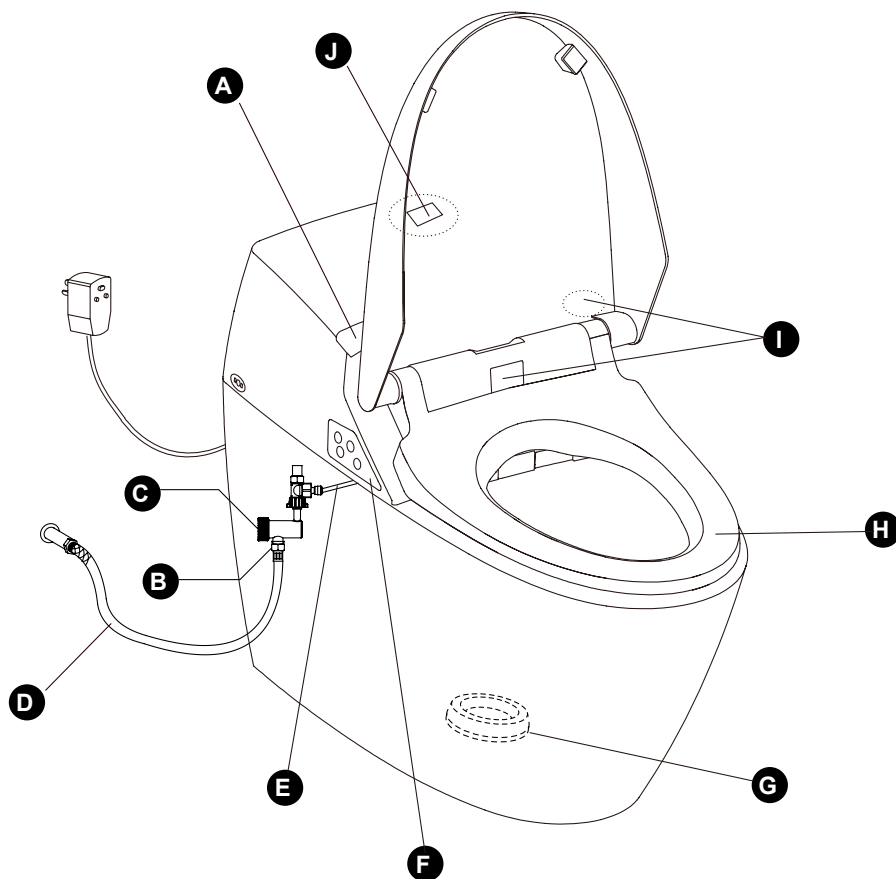
<p>Do not leave the toilet exposed to the sun. May cause yellowing or color fading.</p> <p>Direct sunlight affects the good functioning of the remote.</p>	<p>To prevent against power surge damages, make sure the ground is working in the power socket.</p>
<p>Radio or transmitting devices may interfere with the toilet's remote control functions</p>	<p>If you do not plan to use the toilet for a long time, close the inlet water valve and unplug the toilet.</p>
<p>If the power cut off during washing and the nozzle is still out: Do not push it back manually, it will revert to its resting position once the power is back ON.</p>	<p>Do not use DC current. Only AC 120V with load capacity over 500W are accepted.</p>
<p>If power cuts off during nozzle self-cleaning, the water will continue to flow out. Manually close the inlet water valve of the toilet until power comes back ON.</p>	<p>Do not expose the toilet to freezing temperature. This will void the warranty and damage the piping.</p>
<p>Be careful not to spill water on the top of the toilet: Electronics are located under the plastic cover.</p>	<p>Do not lean on the cover.</p>



PART LIST



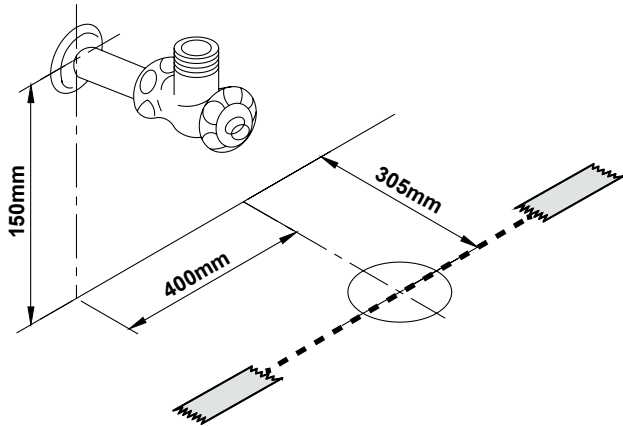
K



	Item	Qty	#
A	Light Indicator Panel	1	--
B	Toilet Water Inlet	1	--
C	Water Filter	1	99TOI0144-OR
D	Water Supply Hose	1	99TOI0143-OR
E	Water Tube	1	99TOI0146-OR
F	Side Control Panel	1	--
G	Seal ring	1	99TOI0148-OR
H	Seat	1	99TOI0156-OR
I	Seat Opening Sensors	2	--
J	Remote Receiver	1	--
K	Remote	1	99TOI0152-OR

INSTALLATION INSTRUCTIONS

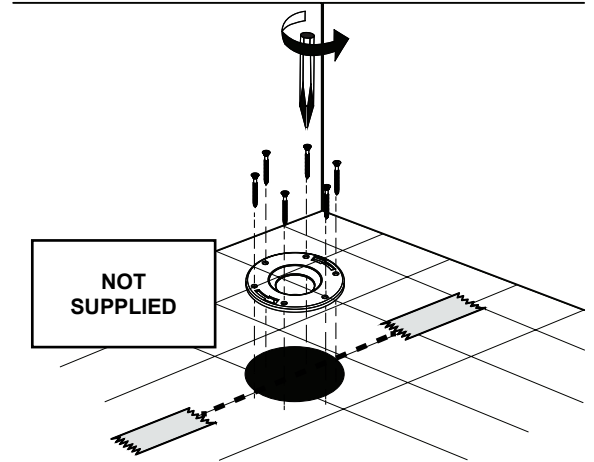
1



Ensure that your water inlet pipe and your floor discharge drain are installed according to the drawing. These are minimum measurements, the toilet can be installed if your actual measurements are longer than shown.

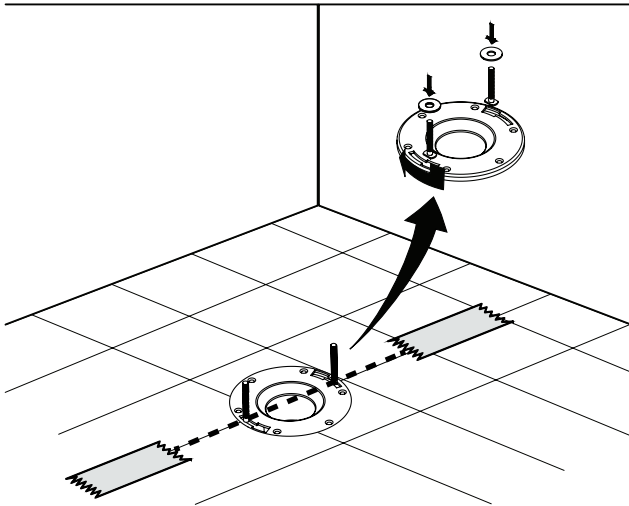
TIP: Align 2 pieces of masking tape with the center of the drain, this will help you position the toilet in future steps.

2



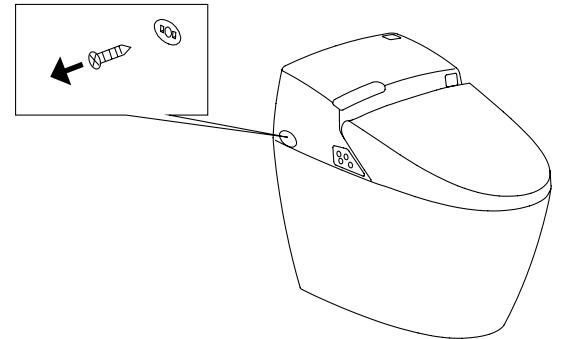
Install the floor flange according to the manufacturer's recommendations. Ensure that the flange is flush with the floor. If the flange is not flush with the floor, this may result in an inadequate installation.

3



Position correctly the two fixing bolts of the floor flange.

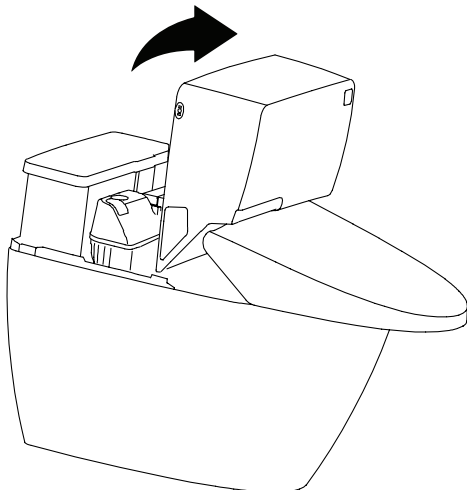
4 (optional)



The following steps #4 to #8 will show you how to remove the seat from the toilet ceramic base. This will allow you align the toilet's bottom holes onto the floor flange bolts more easily, and also, to tighten the nuts on the flange bolts more easily. You are not required to remove the toilet seat if you can easily tighten the nuts onto the flange bolts from the opening behind the toilet.

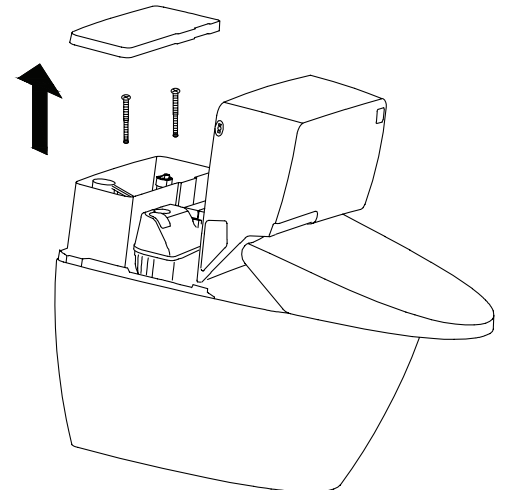
Start to remove the toilet seat by unscrewing the 2 small screws on each sides of the seat.

5 (optional)



Flip the seat cover gently and rest it onto the toilet bowl. Take care of not pulling the connected wires.

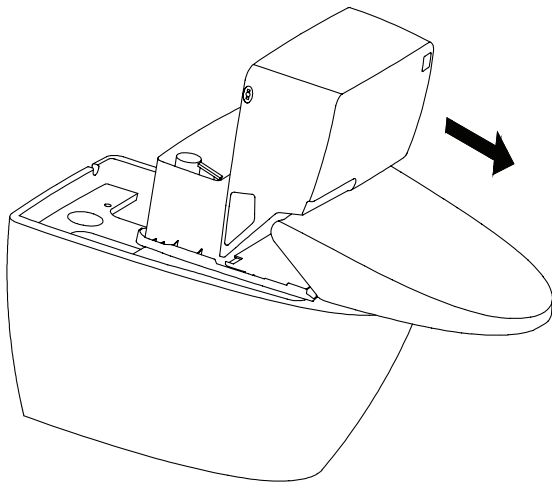
6 (optional)



Remove the water tank lid and unscrew the bolts inside the tank.

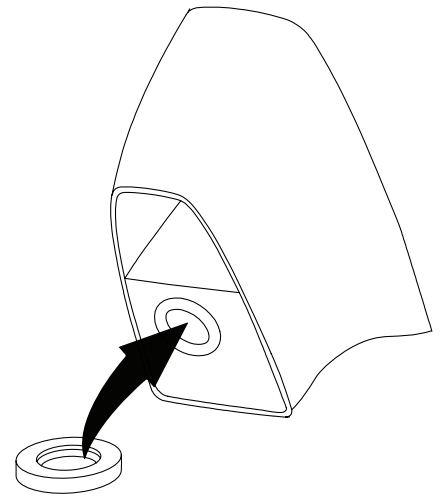
INSTALLATION INSTRUCTIONS

7 (optional)



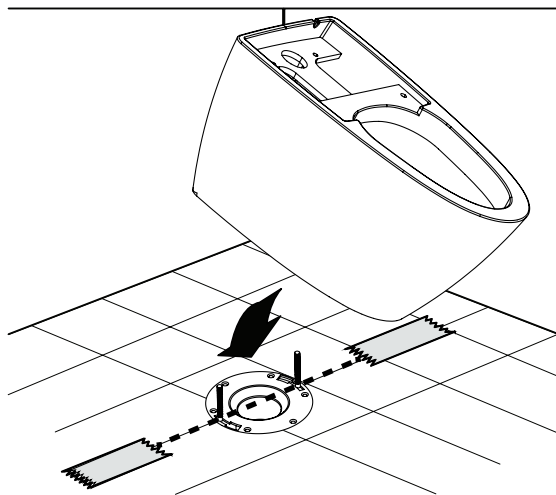
With care, remove the whole tank and the seat from the ceramic base. Gently set it aside on a soft surface.

8



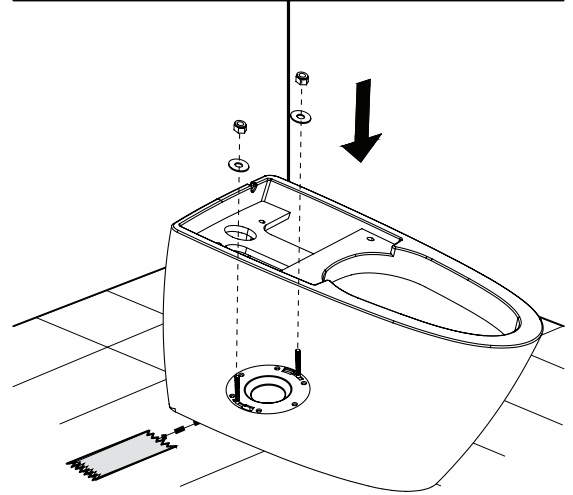
Place the seal ring under the toilet.

9



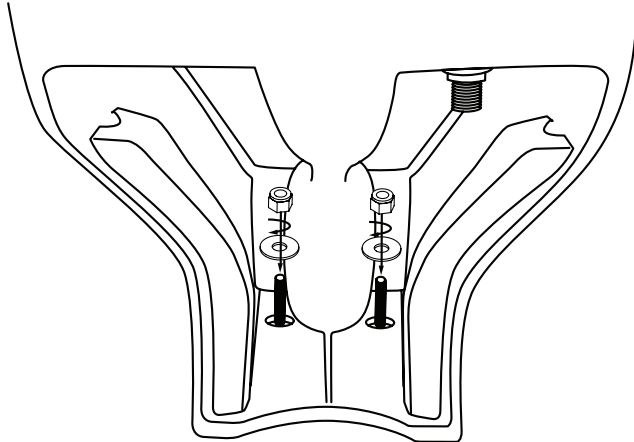
Position the toilet onto the floor flange, making sure the fixing bolts are aligned with the toilet's holes.

10



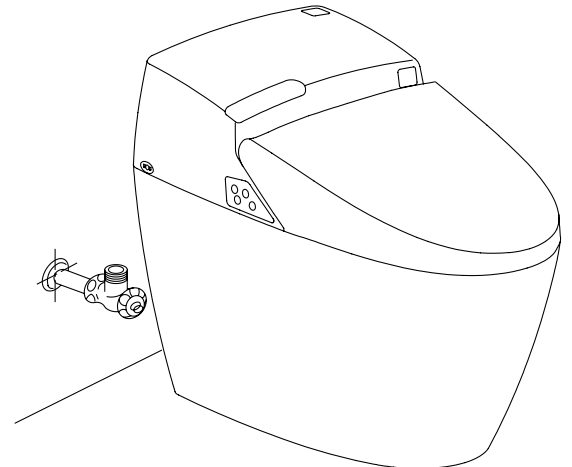
Install the washers and nuts onto the two fixing bolts of the floor flange.

11



Using a ratchet, tightly screw the nuts to the fixing bolts.

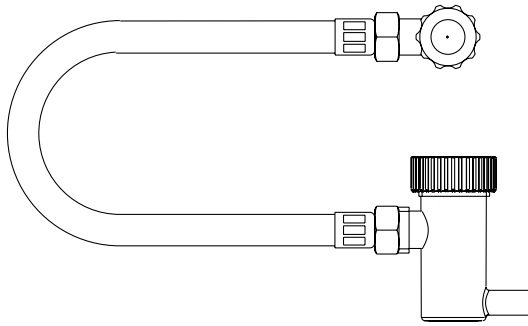
12



With care, re-install the tank and the seat onto the ceramic base.

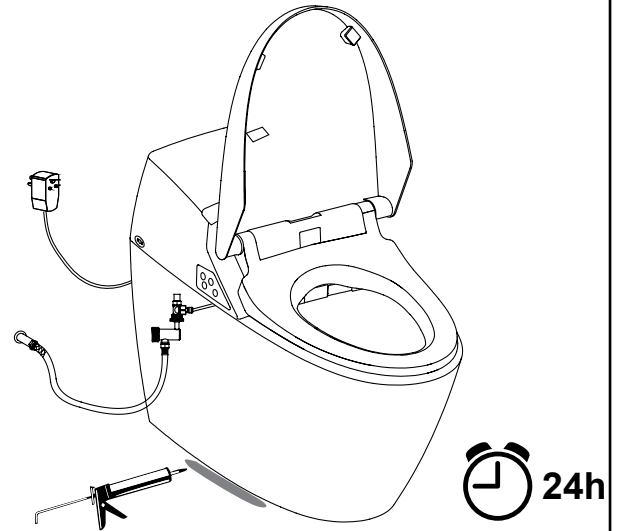
INSTALLATION INSTRUCTIONS

13



Connect the water inlet hose to your existing shut off valve on the wall. Then connect the other end of the hose to the toilet's water inlet located at the back, underneath the filter.

14



Apply silicone around the base of the toilet. Wait for 24h for it to dry.

FIRST TIME USE

1 Open the water supply shut off valve.

2 Plug the toilet in the power socket.

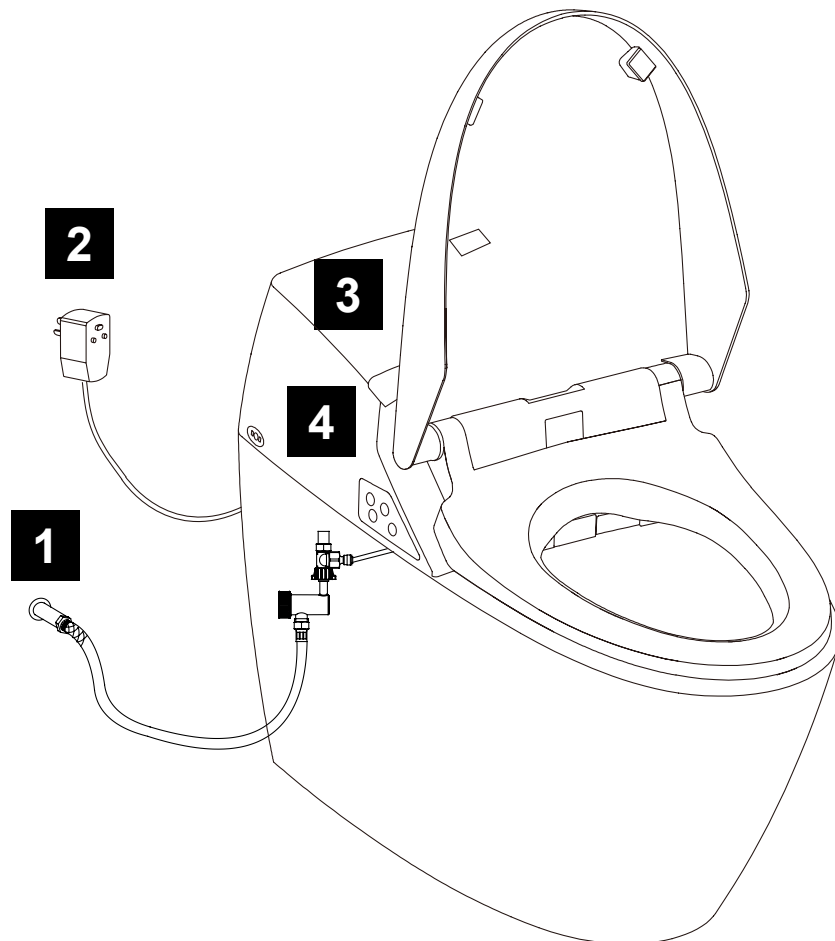
3 The toilet will turn ON automatically. The toilet's lights will start blinking from left to right circularly. The toilet will give out one short beeping sound when the lights blinking has complete 1 cycle. The blinking light indicates that the bidet water tank is filling with water, the toilet seat and the cleaning water are warming up. A sensor in the toilet will stop the filling process automatically after approx. 30 seconds when the tank is full of water.

4 Once the beeping sounds and the flashing light have stopped, the toilet is ready for use.



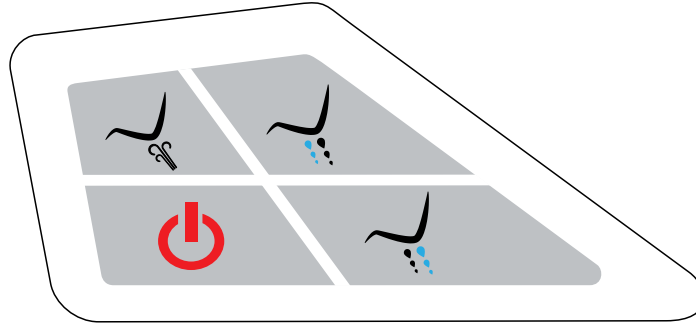
Notice:

- Warming up the toilet seat and the bidet water tank will take about 5 minutes.
- Leave the power continuously ON to assure all functions are ready for anytime use.
- If the toilet is not used for 5 days, it will drain and power off automatically.



CONTROLS DESCRIPTION

SIDE CONTROL PANEL



POWER:

Pressing this key will stop any ongoing function.
Pressing for 3 seconds will turn the power ON / OFF.



SPRAY/MOVE:

Pressing this key will initiate the Static Spray Cleaning function.
Press it again to change to the Back-&-Forth Spray Cleaning function.
**The SPRAY refers the 1 water jet function of the nozzle.*



DRYING:

Pressing this key will initiate the Static Air Drying function.
While not seated on the toilet, pressing this key for 5 sec. will turn the AUTOMATIC DRYING function ON/OFF.



BIDET/MOVE:

Pressing this key will initiate the Static Bidet Cleaning function.
Press it again to change to the Back-&-Forth Bidet Cleaning function.
**The Bidet refers the 4 water jets function of the nozzle.*

LIGHT INDICATOR PANEL



POWER



ECO MODE



WATER
TEMP



SEAT
TEMP



SEAT
SENSOR



POWER indicator:
The light will turn RED when the toilet is powered ON.
The light will turn off when the toilet is powered OFF.

ECO MODE indicator:
The light will turn GREEN when the ECO MODE is active.
The light will turn off when the ECO MODE is not active.

WATER HEATING indicator:
The light will turn RED when the water heating is active.
The light will turn RED when the water heating is not active.

SEAT HEATING indicator:
The light will turn RED when the seat heating is active.
The light will turn RED when the seat heating is not active.

SEAT SENSOR indicator:
The light will turn RED when the Seat Sensor is active.
The light will turn off when the Seat Sensor is not active.

BEEPING SOUNDS DIRECTIONS



LONG BEEPING = The toilet will give out one LONG beeping sound every time it SUCCESSFULLY receives a command.

SHORT BEEPING = The toilet will give out one SHORT beeping sound every time it UNSUCCESSFULLY receives a command.

CONTROLS DESCRIPTION



POWER:

Pressing this key will stop any ongoing function.
Pressing for 3 seconds will turn the power ON/OFF.



ECO MODE:

Pressing the key will turn ON/OFF the ECO MODE function.



FLUSH:

Pressing this key will flush the toilet.
Press this key for 5 sec., the AUTOMATIC FLUSHING FUNCTION will be turned OFF. Press it again for 5 sec. to turn this function ON again.



SPRAY/MOVE:

Pressing this key will initiate the Static Spray Cleaning function.
Press it again to change to the Back-&-Forth Spray Cleaning function.
**The SPRAY refers the 1 water jet function of the nozzle.*



BIDET/MOVE:

Pressing this key will initiate the Static Bidet Cleaning function.
Press it again to change to the Back-&-Forth Bidet Cleaning function.
**The Bidet refers the 4 water jets function of the nozzle.*



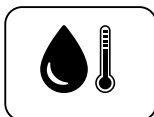
MESSAGE SPRAY & NIGHT LIGHT :

Pressing this key during the Spray or Bidet cleaning will initiate the Message Spray function.
Pressing this key when the user is not seated will turn ON/OFF the Night Light.



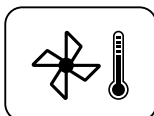
DRYING:

Pressing this key will initiate the Air Drying function.



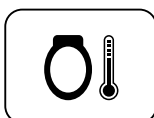
WATER TEMP:

Pressing this key will cycle through the 4 possible temperatures settings for the Spray/Bidet cleaning water jets.
4 settings: Room temp / 34C (93F) / 37C (99F) / 40C (104F)



AIR TEMP:

Pressing this key will cycle through the 4 possible temperatures settings for the air drying function.
4 settings: Room temp / 40C (104F) / 50C (122F) / 55C (131F)



SEAT TEMP:

Pressing this key will cycle through the 4 possible temperatures settings for the seat heating.
4 settings: Room temp / 34C (93F) / 38C (99F) / 42C (108F)



UP & DOWN ARROWS:

Pressing these keys during the Static or the Back-&-Forth Spray or Bidet Cleaning will increase or decrease the water jet pressure.
4 settings: 4 increments from low to high.

LEFT & RIGHT ARROWS - WHILE SEATED:

Pressing these keys during the Static Spray or Static Bidet Cleaning will move the nozzle forward or backward.
4 settings: 4 increments from rear to front.

LEFT & RIGHT ARROWS - WHILE NOT SEATED:

When the user is not seated onto the toilet. Pressing the LEFT key will OPEN/CLOSE the cover. Press the RIGHT key will OPEN/CLOSE the seat.
Pressing the RIGHT key for 5 sec. will turn the AUTOMATIC OPEN/CLOSE SEAT function ON/OFF.

FEATURES



SPRAY CLEANING (1 WATER JET)

This function will only work if the user is sitting on the toilet. Press the SPRAY/MOVE key for spray cleaning. Water will spray and clean the user. Press the key again and the nozzle will move back & forth to insure the cleanest result. You can use this key stroke to get the best cleaning effect.



BIDET CLEANING (4 JETS OF WATER)

This function will only work if the user is sitting on the toilet. Press the BIDET/MOVE key for bidet cleaning. Water will spray and clean the user. Press the key again and the nozzle will move back & forth to insure the cleanest result. You can use this key stroke to get the best cleaning effect.

If you are not seated on the toilet seat, the toilet seat sensors will prevent water from squirting out of the nozzle or warm air from flowing out of the dryer.



The nozzle washes itself before and after every use with the programmed automatic nozzle washing cycle.

The spray function will automatically stop after approx. 1 minutes of continuous use, because the water in the bidet tank will be exhausted. Wait 30 sec. for the tank to fill-up and press again to start.

It will take about 10 seconds after pressing the BIDET/MOVE or SPRAY/MOVE key before water starts to spray out of the nozzle. Please be patient.



AIR DRYING

This function will only work if the user is sitting on the toilet. Press the DRYING key for air drying. The air will drying the user.



If you press the DRYING key while the toilet is flushing, you will need to wait about 10 seconds before warm wind starts to flow out of the dryer.



POWER:

If the toilet is not used for 5 days, it will turn OFF automatically.



The toilet will keep spraying for 1-2 seconds after you stand up, so be sure to press the STOP key before standing up from the toilet seat during the cleaning process.



FLUSHING

Use the FLUSHING key to flush the toiler at any time.
A manual FLUSH BUTTON is also available, located on the right of the toilet.



The smart toilet will clean the bowl with water automatically after user leaves. Long pressing this key of the remote will turn ON/OFF this AUTOMATIC FLUSHING function.



MESSAGE SPRAY:

The MESSAGE SPRAY function will pleasantly clean the user with a strong intermittent single water jet.

SMART FEATURES

ECO MODE

ECO MODE will cut down the electricity usage of your smart toilet during times of none-usage. The bidet water tank and the seat will start heating only once the user is sitting on the toilet, whereas in normal mode, the bidet water and seat are kept to your preferences for your instant enjoyment.



AUTOMATIC OPEN/CLOSE SEAT

The smart toilet is equipped with a sensor which will automatically open and close the seat when the user is nearby or leaving.

The user can turn this function ON/OFF by long pressing the RIGHT ARROW key on the remote controller

**When the AUTOMATIC OPEN/CLOSE SEAT function is ON, the ECO MODE icon on the Light Indicator Panel will blink continuously*



AUTOMATIC DRYING

The smart toilet will automatically start drying the user after the use of the SPRAY or BIDET function, for a fully automated cleaning session.

This function can be turned ON/OFF by long pressing the AIR DRYING key on the side control panel of the toilet.



AUTOMATIC FLUSHING

The smart toilet will automatically flush after each use, bringing the hygiene level to the highest standards.

This function can be turned ON/OFF by long pressing the FLUSHING key on the remote.



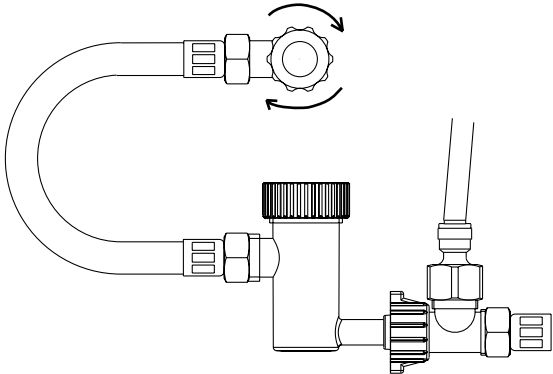
AUTOMATIC ODOR CATALYST

As soon as the user sits on the toilet, a fan sucks the air out of the toilet bowl and through an advance odor fighting catalyst. This prevents the bad smells during the toilet's usage, insuring a pleasant experience.

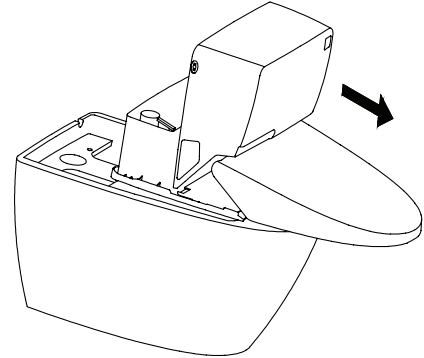


CLEANING THE FILTER

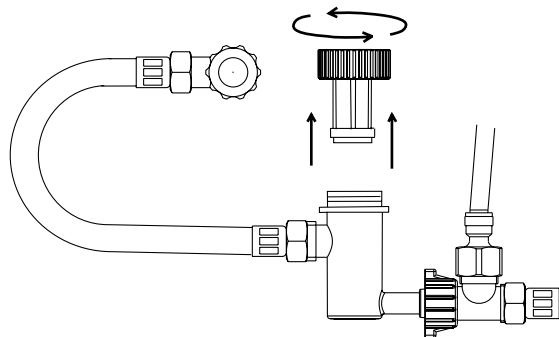
- 1** Close your shut off valve, turn clockwise.
Do not take out the filter before closing the shut off valve.



- 2** Reach the filter behind the toilet ceramic base.
If the filter is unreachable due to limited space between the toilet and the wall, uninstall the whole seat from the ceramic base. (see installation instructions steps 4 to 7).



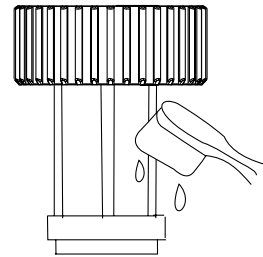
- 3** Unscrew the filter cover by turning counterclockwise and take out the filter.



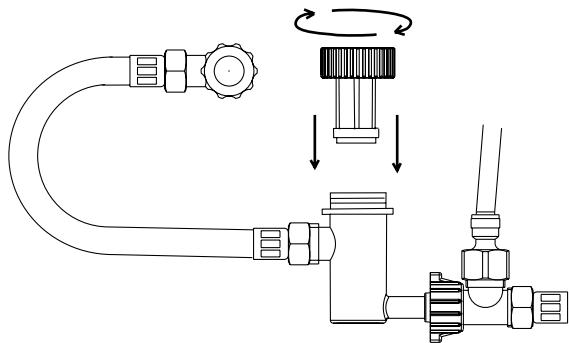
- 4** Clean the filter.
Use a tooth brush to clean the dirt on the filter.

Use a cloth to clean the dirt and deposits in filter body.

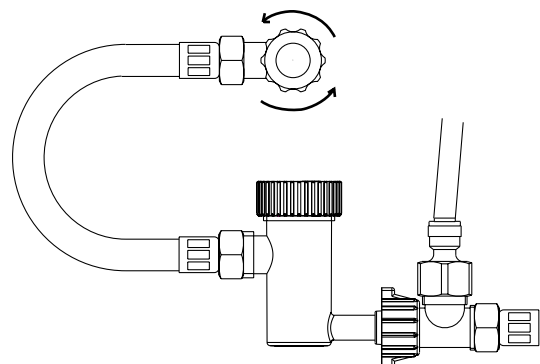
Use water instead of detergent. Do not overexert the filter while cleaning, do not damage the shape of the filter.



- 5** Re-Install the filter.
Safely tighten the filter to avoid leakage.



- 6** Open the shut off valve counterclockwise.
Make sure the water does not leak out.
If necessary, re-install the whole seat onto the ceramic base.



LONG TERM STORAGE

In order to prevent from any damages that may be caused from frozen toilet water, please drain away the remaining water according to the following methods.

When leaving for a long time without using this toilet, please make sure to drain all the water from the toilet.

Press simultaneously the DRYING and BIDET keys together for 3 seconds. The toilet will take 2 minutes to drain its water content and power off automatically. It is now ready for storage.

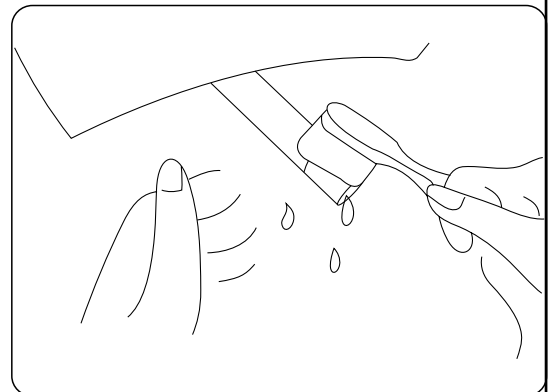


All the toilet's lights will start blinking every 3 seconds. The toilet will give out one long beeping sound after the lights blink. The lights and beeping sound will keep working until the toilet finish this draining process.

NOZZLE MAINTENANCE

In order to make sure the function of washing can work properly, please clean the nozzle regularly.

- 1) Turn on the toilet.
- 2) Long pressing the SPRAY key will turn off the toilet's sensors.
- 3) Pressing the SPRAY key again for 5 seconds will extend the nozzle.
- 4) GENTLY wash the nozzle it with soft wet cloth or brush.
- 5) Press the POWER key to retract the nozzle and return the toilet to its normal state.



SPECIFICATION SHEET

Item	Content
<i>Electric Load</i>	AC 120V / 500W / 60HZ
<i>Electric Cord</i>	1.5 m insulated power cord
Cleaning System	
<i>Spray Cleaning (1 jet)</i>	Water pressure 0.1-0.6 MPa / 14.5-87.0 psi
<i>Bidet Cleaning (4 jets)</i>	Water pressure 0.1-0.6 MPa / 14.5-87.0 psi
<i>Water Temp</i>	From ambient temperature to 40 C
<i>Heater Capacity</i>	AC 120V / 450W / 60HZ
<i>Cleaning Tank Capacity</i>	0.9 L
<i>Overheating Safety</i>	Temperature safety reset protector integrated. Toilet will shutdown if temp. is out of specs.
<i>Anti-Reflux</i>	Anti-Reflux check valve integrated.
Drying System	
<i>Drying Air Temp</i>	From ambient temperature to 55 C
<i>Air Speed</i>	5 m/s
<i>Heater Capacity</i>	AC 120V / 270W / 60HZ
<i>Overheating Safety</i>	Temperature Fuse
Heating Seat	
<i>Seat Temp</i>	From ambient temperature to 40 C
<i>Heater Capacity</i>	AC 120V / 40W / 60HZ
<i>Overheating Safety</i>	By design
Deodorization System	
<i>Filter</i>	Eliminates odors through an odor fighting catalyst.
Limitations	
<i>Water Supply Pressure</i>	Lowest water pressure is 0.1MPa (14.5 psi), highest water pressure is 0.6MPa (87.5 psi)
<i>Water Supply Temp</i>	10-35 C
<i>Ambient Temp</i>	0-50 C

MAINTENANCE & CONSUMER RESPONSIBILITIES

- The DISTRIBUTOR does prohibits the use of harsh abrasive cleansers on any of its products. Harsh cleansers will damage the inner workings of the toilets.
- For daily maintenance, use a wet cloth and a soft liquid cleaner.
- Never use abrasives or cleaners containing acetone, chlorine or strong bleach, scrapers, metallic brushes, nor other objects or products which can graze or tarnish surfaces.

LIMITED 1 YEAR WARRANTY

The DISTRIBUTOR warranty is valid for a period of 1 year after purchased. Improper use of this product or any deviations to the general guidance given in the user manual will void the warranty. This non-transferable warranty applies only to the original purchaser and proof of purchase is required for all claims.

This warranty applies to the DISTRIBUTOR toilet installed for residential use only.

The DISTRIBUTOR warrants that, when installed in accordance with the Recognized Plumbing Industry Practice, the toilets are free of manufacturing defects for a period of one (1) year from the date of purchase.

The DISTRIBUTOR will repair or replace the damaged product or parts only if they were installed and used in a proper way according this user manual.

Before accepting to repair or replace the product, the DISTRIBUTOR is entitled to send a representative to inspect the product. We will offer free of charge service for inspecting, repairing and replacing for the items within this warranty period; However the freight charges are the customer's responsibility.

INFORMATION ABOUT YOUR WARRANTY COVERAGE

This warranty does not cover damages or failure attributable to:

- Toilets installed with obvious visual defects.
- Rough handling or improper operation.
- The presence of sediment or impurity in the water supply system used.
- Defects or damages to toilets caused by installation that does not comply strictly with the instructions set forth in the Recognized Plumbing Industry Practice.
- Defects or damage to toilets caused by severe accidents (e.g. fire, electric surge, etc.)
- Damage caused by flooding or standing water from leaking pipes, faucets, household appliances, etc.; Up to and including flooding and any damage caused by acts of God.

NOTES ON WARRANTY

This warranty applies only to the original purchaser and installation site and is not transferable.

FOR WARRANTY SERVICE

- ▶ To make a claim, contact the DISTRIBUTOR no later than 30 days following the date of discovery or detection of defect.
- ▶ Proof of purchase, such as the bill of sale is mandatory when requesting warranty service.
- ▶ The DISTRIBUTOR reserves the right to designate a representative to inspect the vanity for analysis.
- ▶ No unauthorized person, installer, dealer, agent or employee of the DISTRIBUTOR or any representative is entitled to assume any liability on behalf of the DISTRIBUTOR relating to the sale of this product or has the authority to increase or alter the obligations or limitations of this warranty.

INSTALLATION PICTURE



Save this manual for future reference
Conservez ce manuel pour usage ultérieur
Conserve este manual para futura referencia



HEAD OFFICE / SIÈGE SOCIAL / OFICINA PRINCIPAL
2800 Etienne Lenoir, Laval
Quebec H7R 0A3 Canada

Customer service / Service à la clientèle / Service al cliente

Tel.: 1-866-839-2888

Fax: 1-866-922-9990

customerservice@ovedecors.com

8:00 am - 5:00 pm E.S.T Monday - Friday

8 h à 17 h HNE, du lundi au vendredi

8 h a 17 h HDE, de lunes a viernes

English and Frenchspeaking representatives available

Représentants disponibles en Anglais et Français

Representantes disponibles para inglés y francés

KEEP THIS INFORMATION
CONSERVEZ CES INFORMATIONS
CONSERVE ESTA INFORMACIÓN

Purchase date

Date d'achat

Fecha de compra

Product Tracking Reference

Suivi et référence du produit

Numero de referencia
