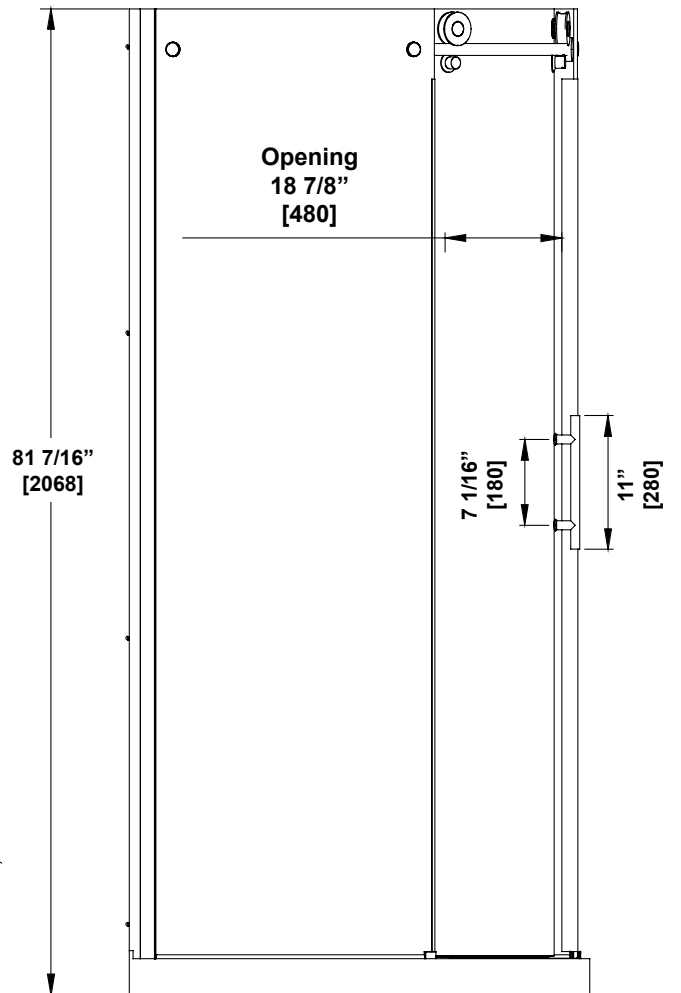
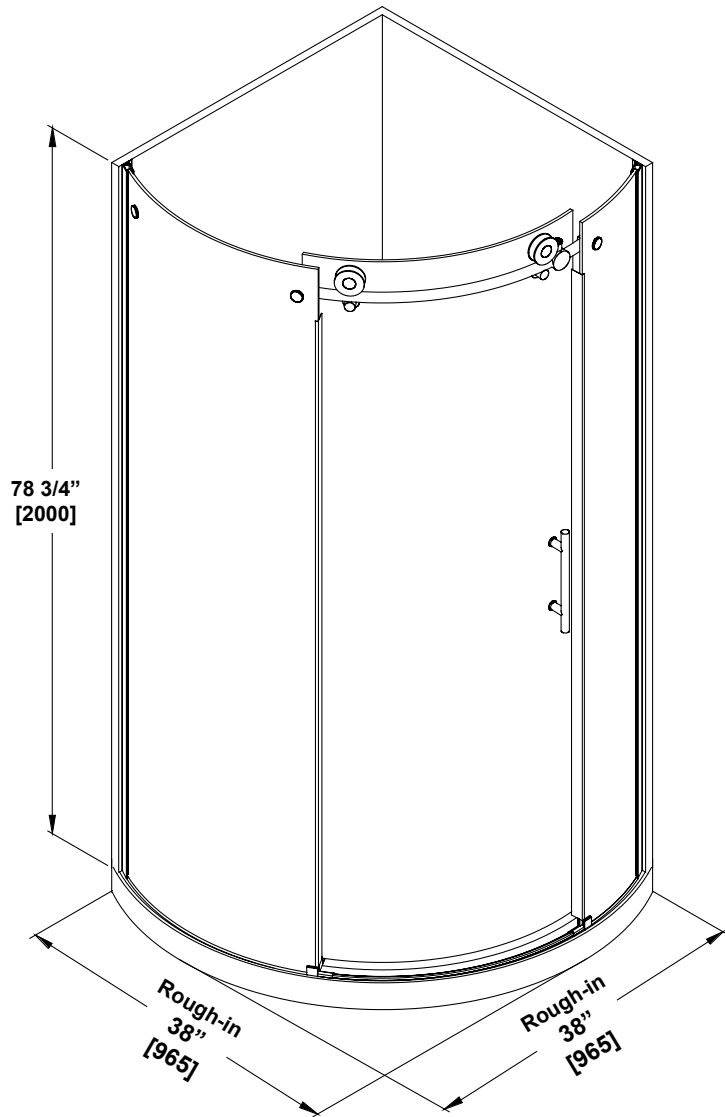


Measures: inch [millimeter]



Purchase date: _____

Product Tracking Reference: _____



Questions, problems, missing parts?

Before returning to your retailer, call our customer service department at
1-866-839-2888, 9 a.m. - 5 p.m., EST, Monday - Friday

SAFETY INFORMATION

CAUTION

Please carefully read the following important safety information before handling or installing this shower. There is a risk of serious injury while handling this product. To minimize these risks, please note:

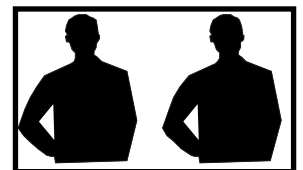
- Always wear safety glasses and gloves while handling.
- Always read and follow all the steps in the installation instructions.
- Inspect all contents and glass for damage before installation.
- Extreme caution should be taken while handling the glass during installation as the tempered glass may shatter if in contact with a hard surface.
- Handle the tempered glass with caution! Improperly handling the glass can cause it to break suddenly in small pieces (never in pointed fragments).
- Always take all precautions not to touch the tempered glass with any tools during the installation, or after installed.
- Do not cut or modify the tempered glass as it will shatter if cut.
- Carefully remove product from packaging and keep packaging until installation is complete.
- Inspect all parts for damage; if there is damage to the unit prior to installation, please contact customer service at the number provided in this guide.
- Install the shower on a floor that is level and able to accommodate the weight of the unit and an occupant.
- Consult local building codes and compliance standards prior to installation and ensure conformity.
- After installation, and from time to time, check the glass for fit and finish to ensure that nothing has come loose since installation.
- Keep this installation manual for future reference.

NOTICE

- Any modification or alteration from what is specified in this instruction manual will void any and all warranty on this product.
- The distributor is not responsible for any damage to the unit or personal property caused by improper installation. If you disregard instructional warnings, you will void your warranty and possibly deal with water damage.
- Consult www.ovedecors.com for any additional information or question on this product's installation.

PREPARATION

You will need at least two people to install this unit properly.



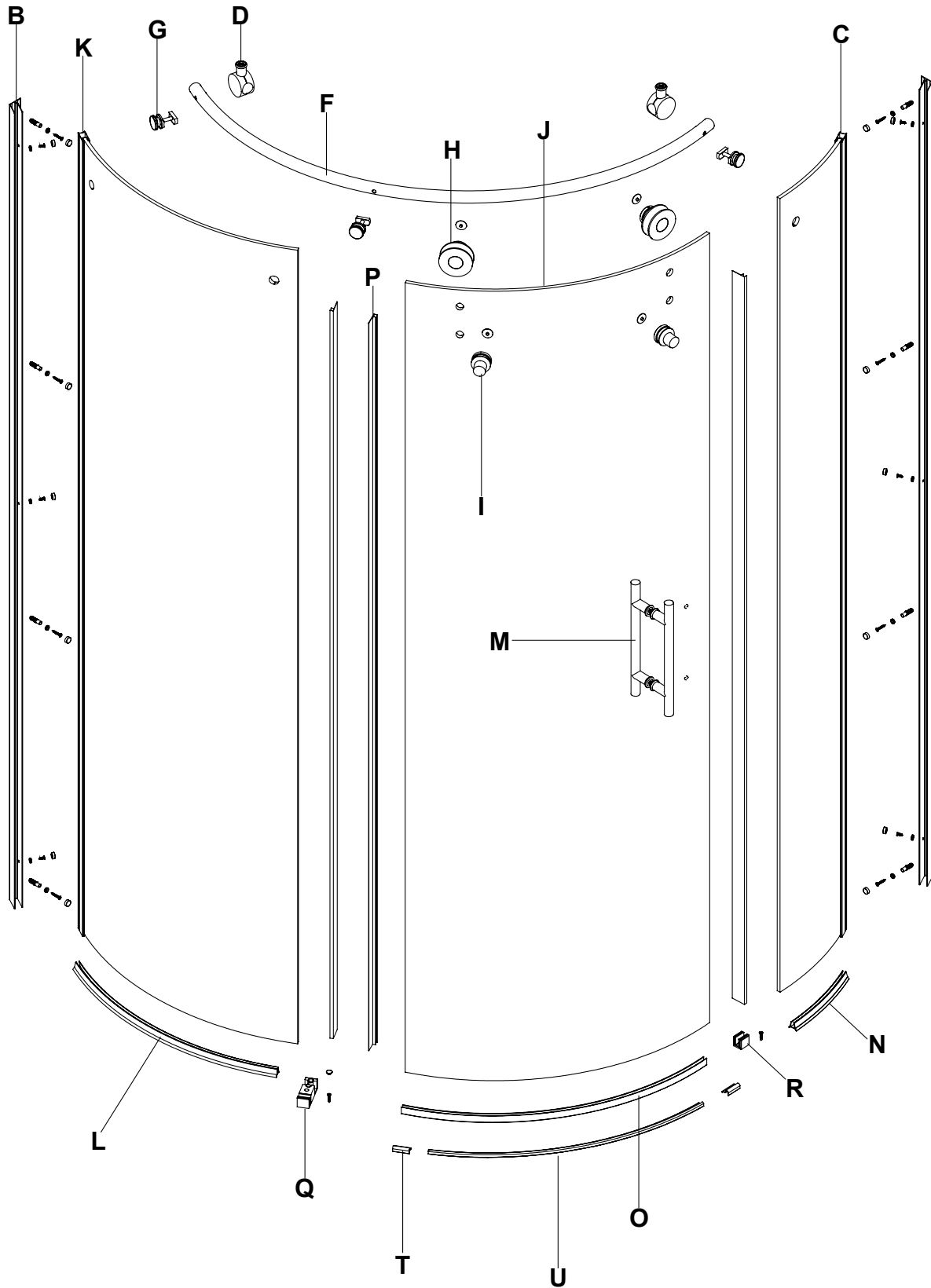
Before beginning assembly of product, make sure all parts are present. Compare parts with package contents list and hardware contents list. If any part is missing or damaged, do not attempt to assemble the product.

Estimated Assembly Time: Shower (60 min).

TABLE OF CONTENT

PACKAGE CONTENT.....	5
HARDWARE CONTENT.....	6
TOOLS REQUIRED.....	6
THIS SHOWER IS NOTREVERSIBILITY.....	7
BASE INSTALLATION GUIDELINES (OPTIONAL).....	8
WALL TRACKS INSTALLATION.....	9
FIXED PANELS INSTALLATION.....	10
SUPPORT BAR INSTALLATION.....	12
DOOR PANEL INSTALLATION.....	13
HANDLE INSTALLATION & SEALING.....	14
LIMITED PRODUCT WARRANTY.....	15
CARE AND MAINTENANCE.....	15

PACKAGE CONTENT



PACKAGE CONTENT

PART#	DESCRIPTION	QTY	CODE
B	Wall track	2	99STR1094-WM
C	Fixed panel (Small)	1	99SG10335-WM
D	Roller stopper	2	99SDS0012-WM
F	Support bar	1	99SGC1059-WM
G	Fixed panel's bracket	3	99SGC1060-WM
H	Door roller	2	99SWE0039-WM
I	Anti-jump peg	2	99SWE0040-WM
J	Door panel	1	99SGD0060-WM
K	Fixed panel (Large)	1	99SG10336-WM
L	Fixed panel's bottom seal strip (Long)	1	99SRU0205
M	Door handle	1	99SHA3630-WM
N	Fixed panel's bottom seal strip (Short)	1	99SRU0202
O	Door panel's bottom seal strip	1	99SRU0203
P	Glass panels' vertical seal strip	3	99SRU0204
Q	Sliding door guide (with its rubber fitting)	1	99SGC0017-WM
R	Fixed panel's support bracket	1	99SGC0018-WM
T	Decorative cap	2	99SHW0043-WM
U	Decorative track	1	99STR1095-WM
V	Hardware content	1	99SHW0130-WM

HARDWARE CONTENT

AA



Screw
ST4x12mm
6+2

CC



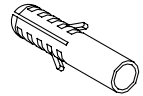
Screw
ST4x20mm
2+1

DD



Screw
ST4x30mm
8+2

EE



Wall Anchor
ø6x30mm
8+2

GG



Fitting
14+2

HH



Cap
14+2

II



Cap
4x

JJ



Clip
1x

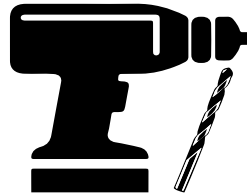
TOOLS REQUIRED



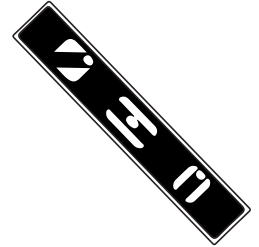
Pencil



Screwdriver



Drill with ceramic tile bits
ø1/8" (3mm) & ø1/4" (6mm)



Level



Measuring Tape



Silicone



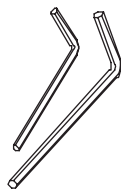
Rubber mallet



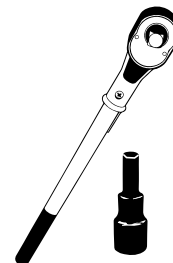
Cutter



Safety glasses



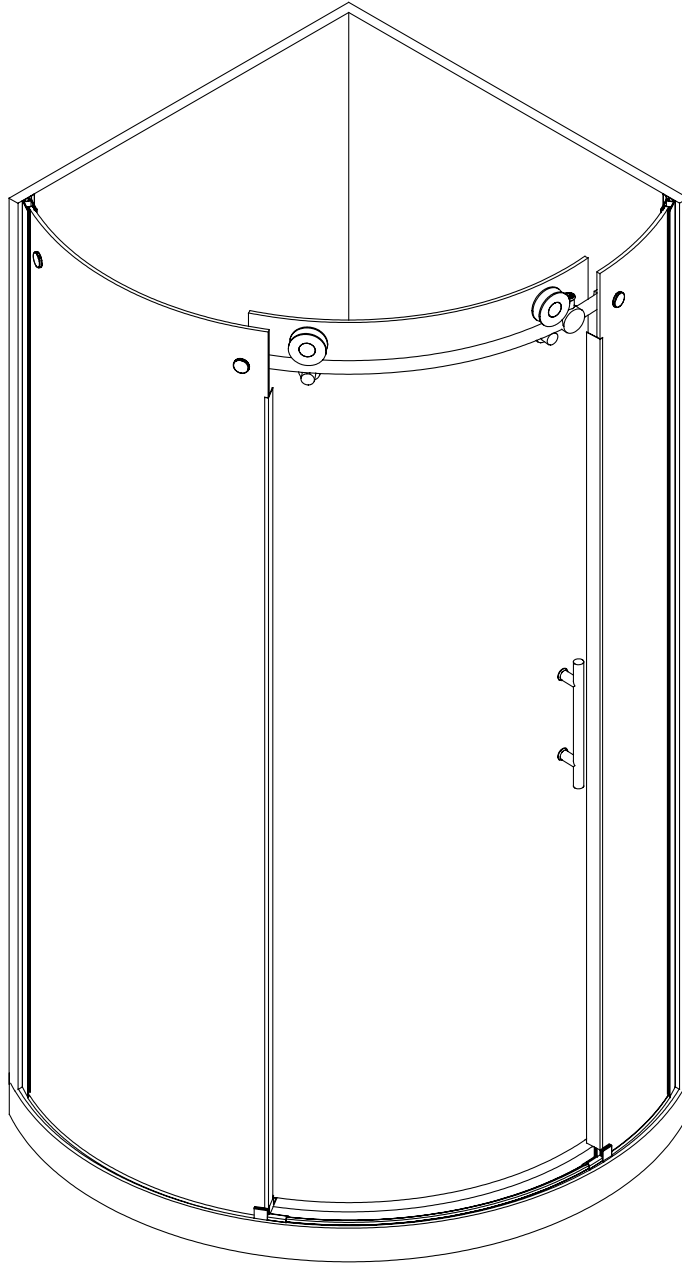
Allen key
2mm & 5mm



Ratchet
5mm Bit socket

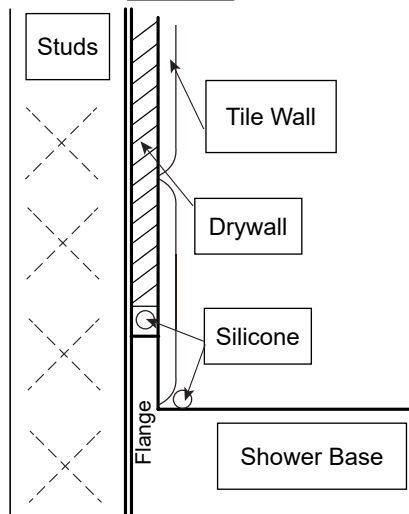
THIS SHOWER IS NOT REVERSIBLE

- This instruction is drawn up for an opening from right to left.
- Note that this shower is not reversible.

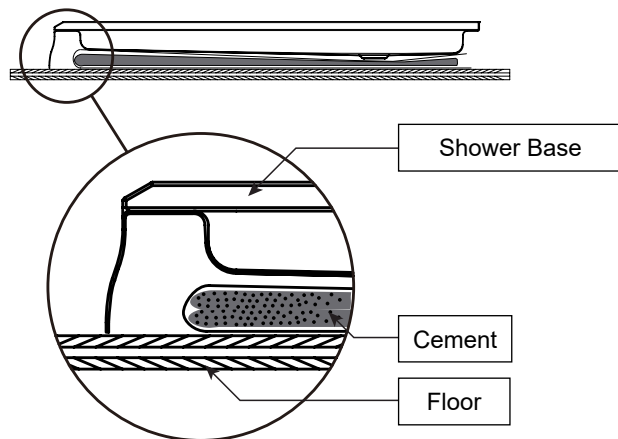


BASE INSTALLATION GUIDELINES (OPTIONAL)

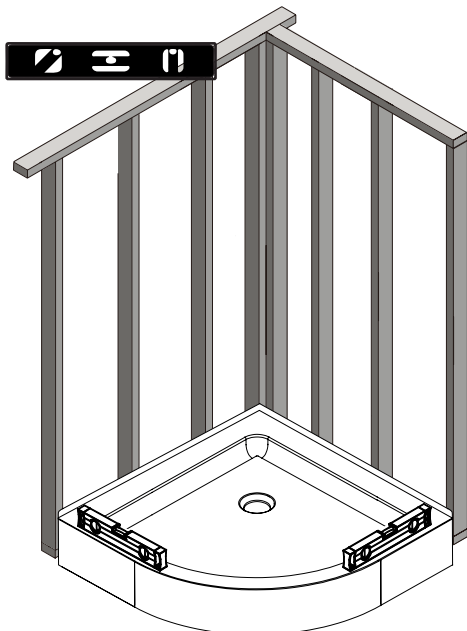
1



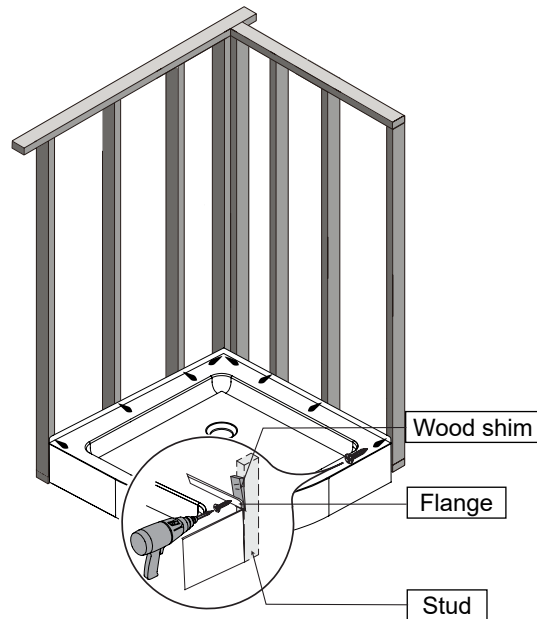
2



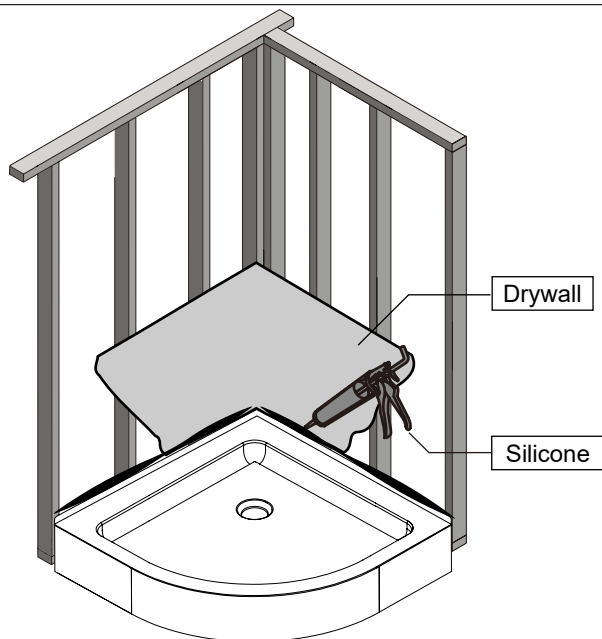
3



4



5

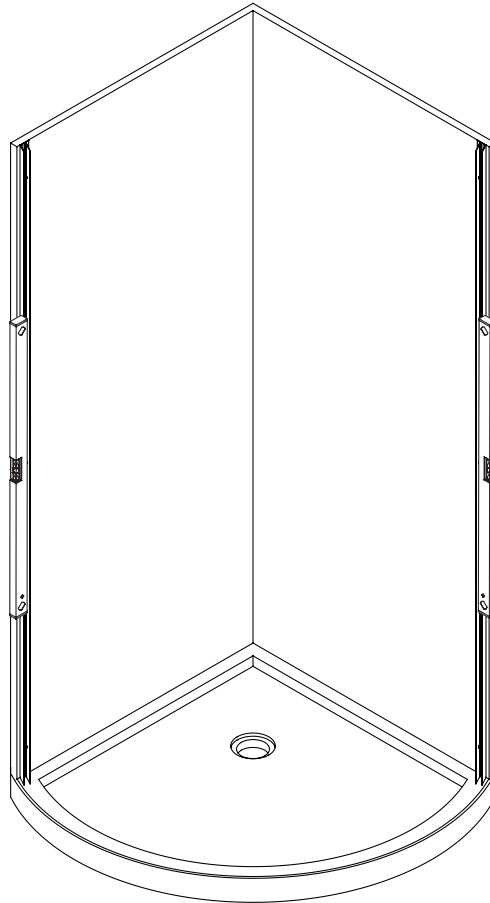
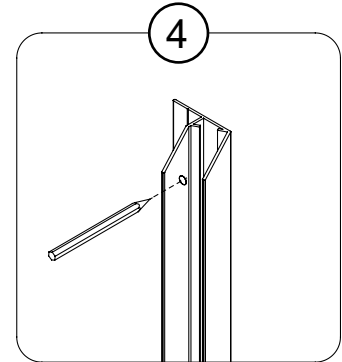
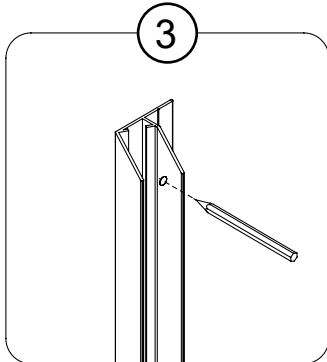
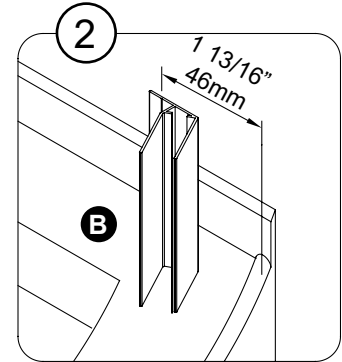
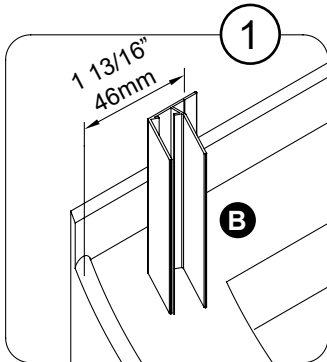


WALL TRACKS INSTALLATION

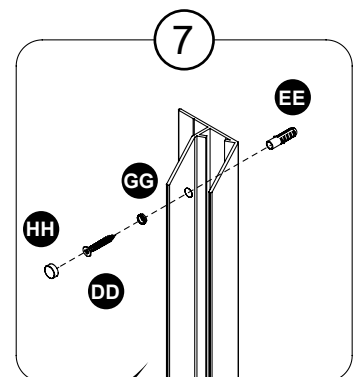
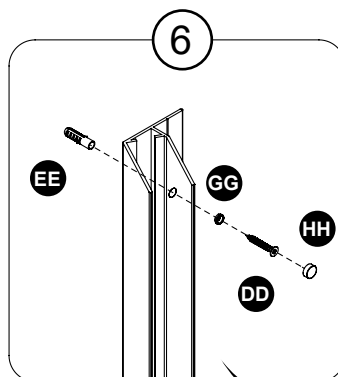
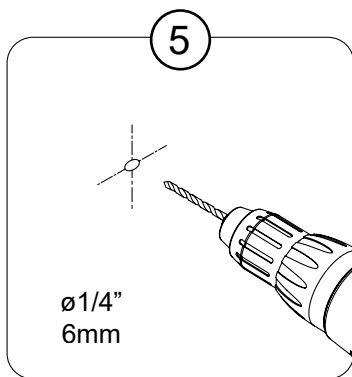
1-4. Level the tracks (B) and mark the track holes' positions. 4 holes for each track.

5. Remove tracks and drill pilot holes in the marked locations with a $\varnothing 1/4"$ (6mm) drill bit.

6-7. Insert the wall anchors (EE) using a rubber mallet until the wall anchors are flush with the wall. Replace and secure the 2 tracks (B) with screws (DD), fittings (GG) and caps (HH). Do not overtighten.



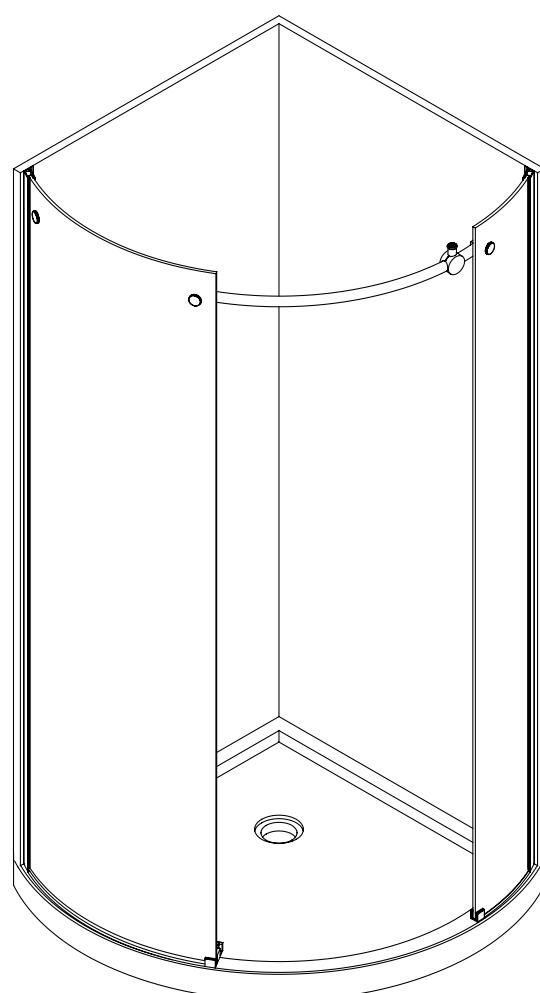
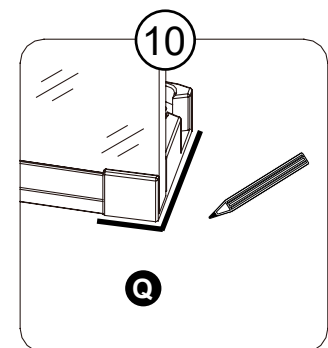
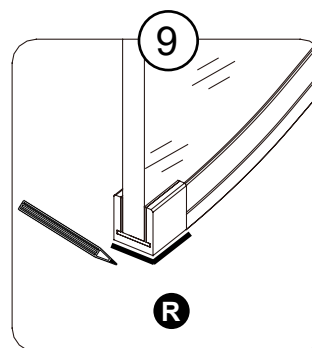
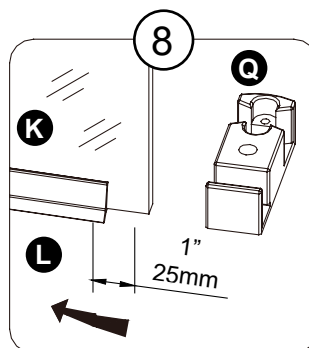
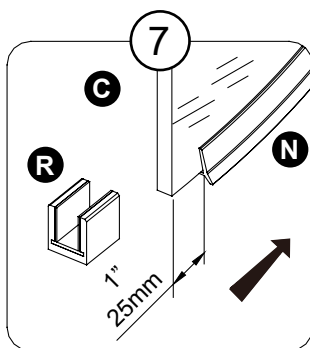
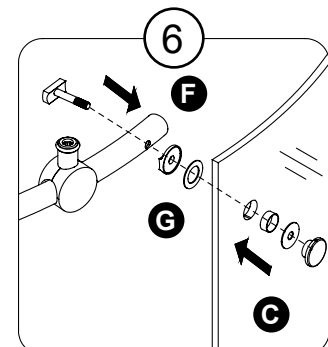
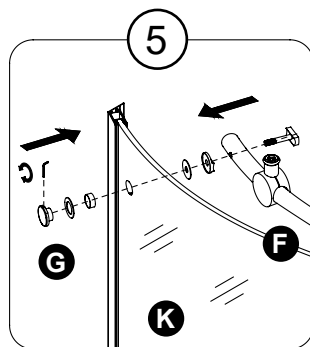
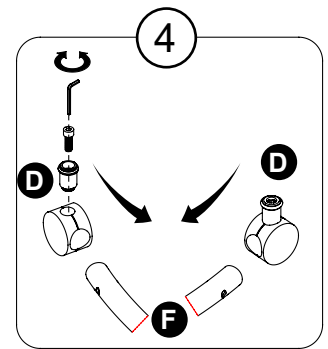
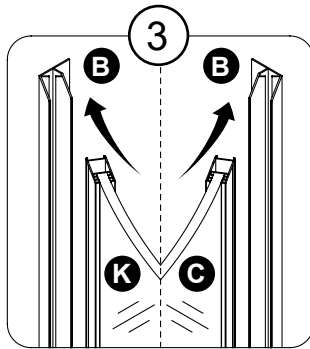
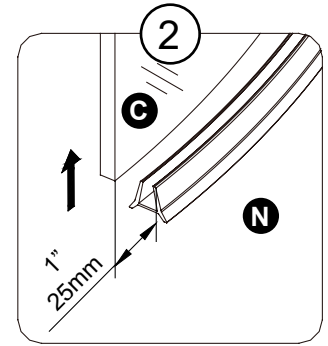
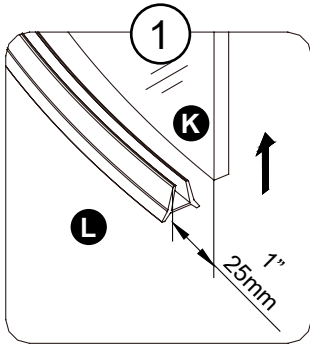
Helpful Hint
Make sure there is a support stud located behind the drywall, behind the tracks!



Helpful Hint
Do not overtighten!
This may crack the wall panels.

FIXED PANELS INSTALLATION

- 1-2. Insert the fixed panel's bottom seal strips (N and L) at the base of the fixed panels (C and K). Cut the surplus part with a cutter.
3. Insert the fixed panels (C and K) into the tracks (B). Do not fully tighten it as further adjustments may be required.
4. Slide the 2 stoppers (D) onto the support bar (F).
- 5-6. Loosely mount the support bar (F) onto the fixed panels (C and K) using the brackets (G) and level it.
- 7-8. Smoothly slide the fixed panel's support bracket (R) at the bottom of the fixed panel (C) and the guide (Q) at the bottom of the fixed panel (K) both without securing. Ensure that the plastic gaskets are in the bracket (R) and the guide (Q) as these protect the glass panels.
- 9-10. Mark the positions of the support bracket (R) and the guide (Q).



FIXED PANELS INSTALLATION

1-3. Completely remove the support bar (F) and the fixed panels (C and K).

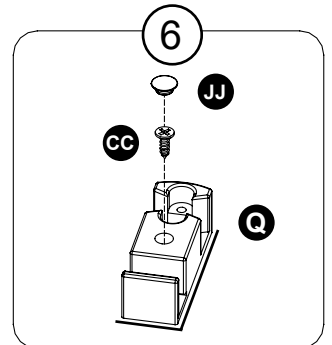
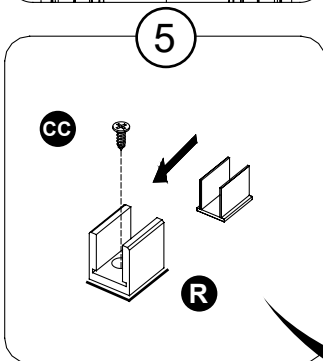
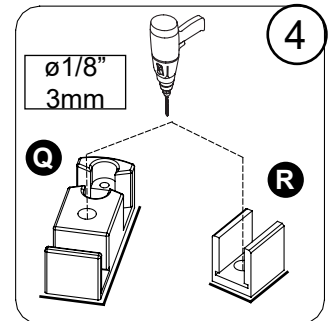
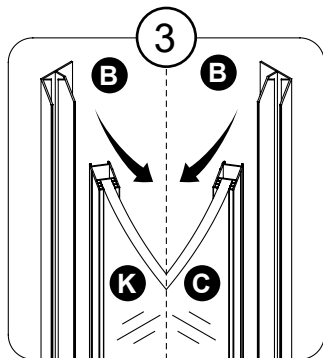
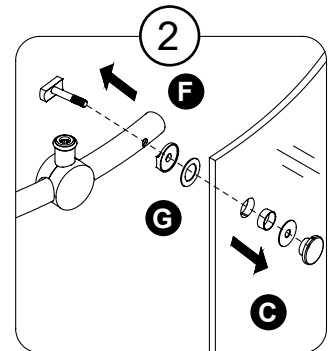
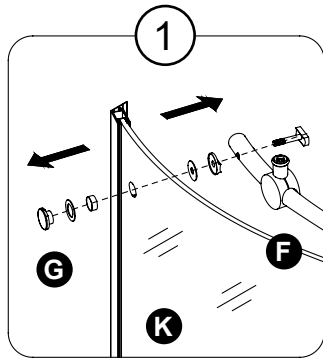
4. Remove the plastic gaskets from the support bracket (R) and the guide (Q). Drill pilot holes with a $\varnothing 1/8"$ (3mm) drill bit.

5-6. Fix the bracket (R) and the guide (Q) with screw (CC), then put the plastic gaskets back. Cover the screw of the guide (Q) with the clip (JJ).

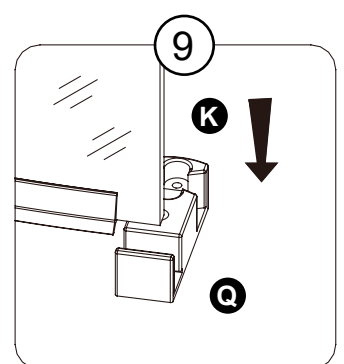
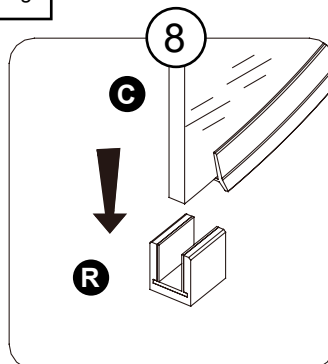
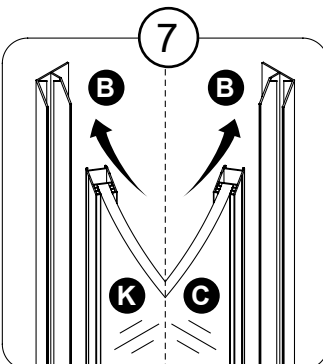
7. Replace the fixed panels (C and K) into the 2 wall tracks (B).

Note: The wall tracks (B) allow you to adjust the position of the fixed panels (C and K). Adjusting the depth and/or giving the fixed panel a slight angle allows for precise alignment with the door.

8-9. Replace the fixed panels (C and K) into the support bracket (R) and the guide (Q).



Helpful Hint
For steps 5 & 6, add a drop of silicone in the hole before screwing.



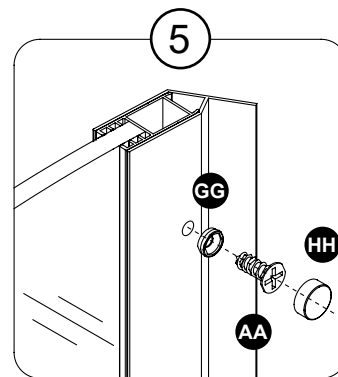
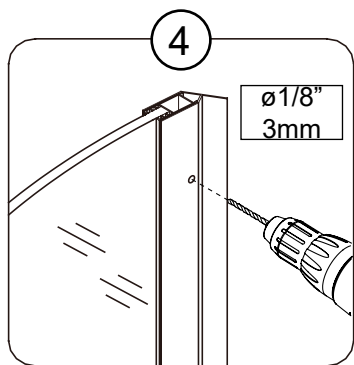
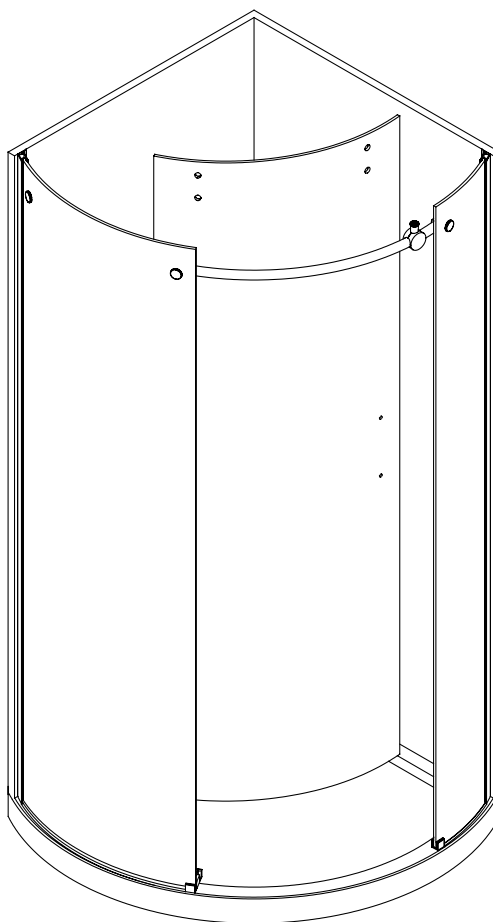
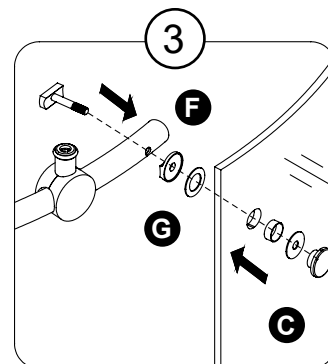
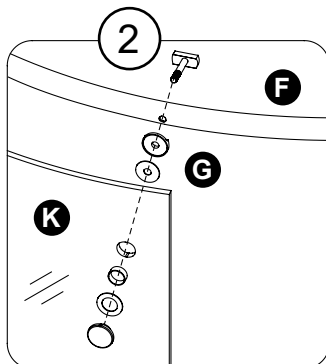
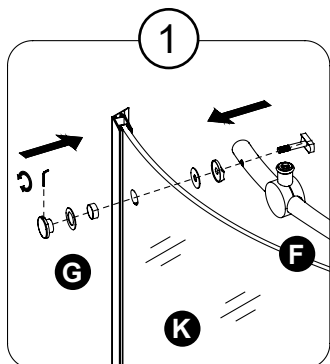
SUPPORT BAR INSTALLATION

Place the door panel (J) inside the shower enclosure to facilitate future steps.

1-3. Fix the fixed panels (C and K) onto the support bar (F) using the brackets (G).

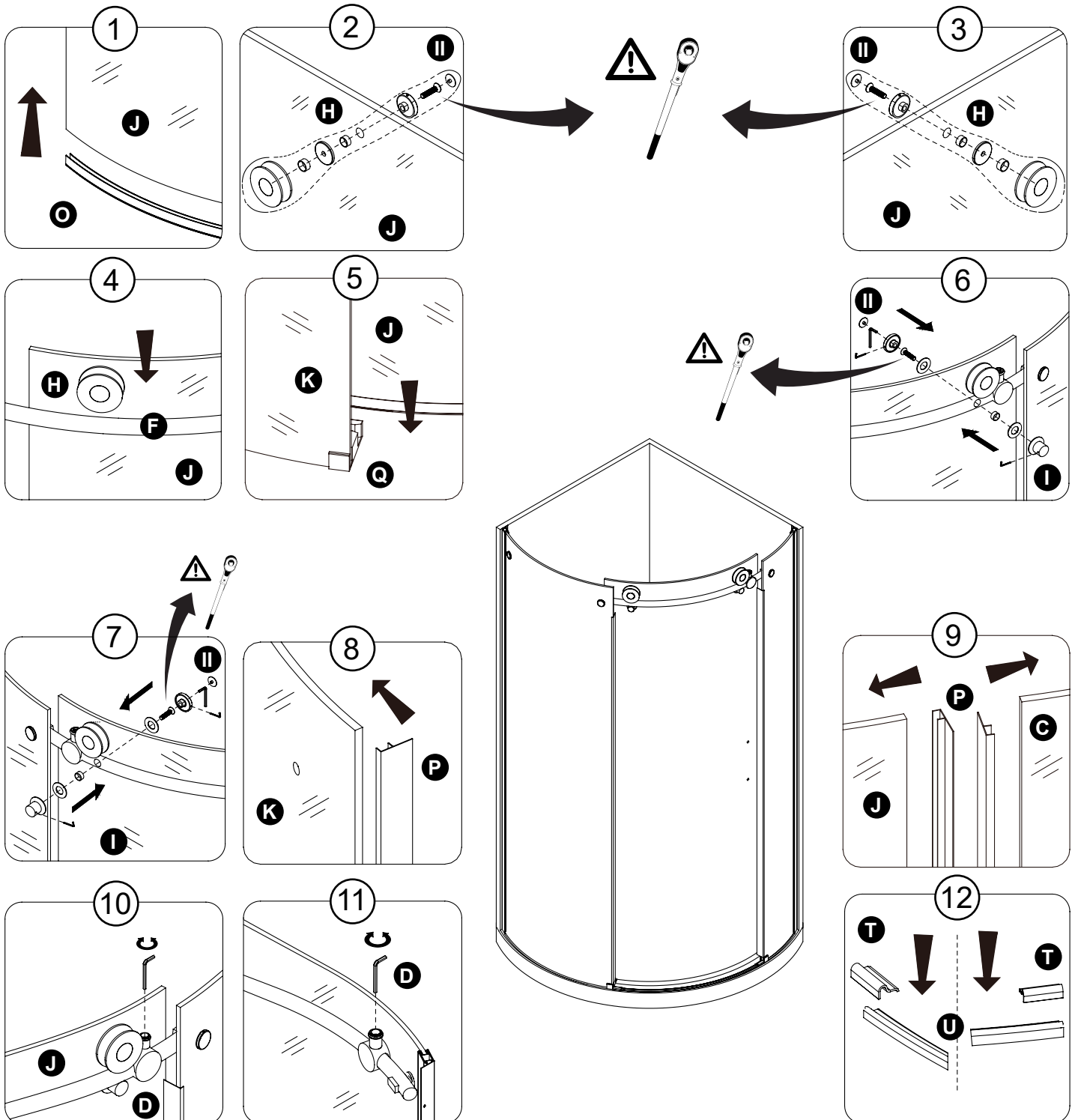
4. Drill the 2 wall tracks (B) on 3 positions (top, middle and bottom) with a $\varnothing 1/8''$ (3mm) drill bit. Level the panels (C and K).

5. Fix the 2 fixed panels (C and K) with the fitting (GG), screw (AA) and cap (HH).



DOOR PANEL INSTALLATION

1. Insert the door panel's bottom seal strip (O) at the base of door panel (J) and cut the surplus with a cutter.
- 2-3. Install the 2 top rollers (H) on the door panel (J). Use a ratchet to strongly tighten the bolts.
4. Gently hang the door panel by its 2 top rollers (H) on the support bar (F).
5. Place the door panel (J) into the sliding door guide (Q).
- 6-7. Install the 2 anti-jump pegs (I) on the door panel (J). Use a ratchet to strongly tighten the bolts.
- 8-9. Install the 3 glass panels seal strips (P).
- 10-11 Position the 2 roller stoppers (D) in order to block the door panel (J) from hitting the walls either when opening it or closing it. Use the Allen key to strongly secure the stoppers when their final position is found.
12. Using silicone, install the decorative track (U) in front of the door panel. Slide the decorative caps (T) onto the track (U).



HANDLE INSTALLATION & SEALING

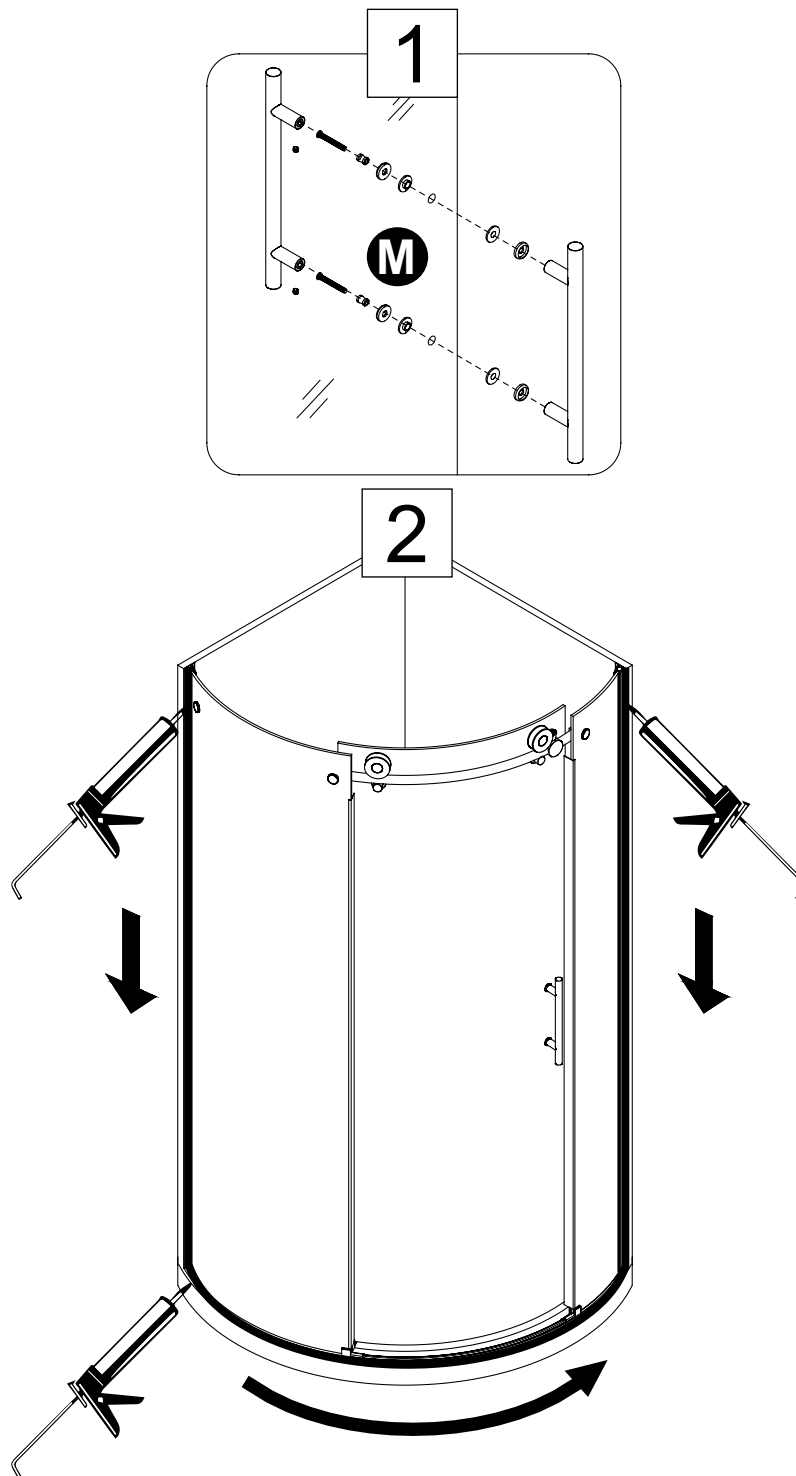
1. Install the door handle (M) using an Allen key.

2. Ensure that the door closes tightly and opens smoothly, and that there is a tight connection between the fixed glass panels and the frame as well as the support bar.

Apply a clear silicone water sealant around the outside perimeter of any fixed shower components (horizontally between bottom of fixed glass panel and base, as well as vertically between the wall, glass frames, and any fixed glass panel).

Allow 24 hours for silicone to dry.

Improper application of silicone sealant may cause your shower to leak.



OVE Decors ULC

LIMITED Product Warranty

OVE is a distributor of the following Products:

- Shower Doors (warranty period 5 years).
- Acrylic Surfaces (warranty period 5 years against blistering, cracking or chipping in the acrylic surface).
- Acrylic Shell Structure (warranty period 5 years against loss of water through fiberglass laminate of the acrylic body).
- Shower Hardware (handles, hinges, rubber support clips, metal support bars and wall tracks) (warranty period 1 year against defects in materials or workmanship).

Limited Warranty: OVE warrants to the original retail purchaser that within a reasonable time after notification from purchaser, OVE will repair or replace the Product, or any part or component of the covered Product, distributed by OVE which is proven to the satisfaction of OVE to be defective in workmanship or materials, and which has failed during normal use and within the warranty period. This Limited Warranty does not apply to Products that have been damaged, or which fail, as a result of causes other than manufacturing defects (such as but not limited to improper installation; lack of or improper care or maintenance; exposure to elements including corrosive products, environments or water; alteration; abuse or misuse). This warranty does not cover damage to finishes. The warranty commences on the first date a Product is purchased by the customer. This warranty applies exclusively to products purchased and used in non-commercial applications.

Warranty Claim Procedure: To make a claim please call **1-866-839-2888** to trouble-shoot the issue and start the claim process, or email **info@ovedecors.com**. Products may be inspected or evaluated by OVE and any Product or component found to meet the above warranty criteria will be repaired or replaced at OVE's option. Replacement or repaired parts will be shipped at no cost to customer via ground freight only. Any expedited methods of shipments are customer's expense.

DISCLAIMER AND EXCLUSION OF WARRANTIES: This warranty is meant to be a complete and exclusive statement of the terms of all limited warranties offered by OVE.

To the fullest extent permitted by law, other than the express warranty set forth in this instrument there are NO WARRANTIES, EXPRESS OR IMPLIED, INCLUDING ANY IMPLIED WARRANTIES OF MERCHANTABILITY OR FITNESS FOR A PARTICULAR PURPOSE EXTENDED BY OVE.

This warranty gives you specific legal rights. You may also have rights, which may vary under applicable state, provinces, or national legislation, which cannot be disclaimed or modified by the above Disclaimer. Except as permitted, the Disclaimer is not intended to waive, modify, release or limit the applicability of preemptive state, province, or national legislation inconsistent with the terms of this Limited Warranty and Disclaimer. However, to the extent permitted by law, no implied warranties of merchantability or fitness are intended or extended hereunder. Notwithstanding the Disclaimer if any implied warranty is imposed by operation of law, to the extent permitted, the duration of such implied warranties is limited to the shorter of the term of the express warranty or the applicable statute of limitations.

The Products listed above are intended to be installed and used for personal, consumer residential use. Use of Products for any other purpose such as commercial purposes voids this warranty. The Limited Warranty is applicable only to the Products listed herein, and no warranty is extended to products not distributed by OVE. The warranty is applicable only to the first retail purchaser.

Transferability: This warranty is not transferrable.

LIMITATION AND EXCLUSION OF REMEDIES AND DAMAGES: OVE's sole responsibility under this Limited Warranty shall be to repair or replace, at its option, any defective Product or component. Purchaser agrees that this is the sole and exclusive remedy under this Limited Warranty. OVE will not be responsible for any incidental, consequential, special or indirect damages, including loss of use as a result of any manufacturing defect in a Product. OVE will not be responsible for labor, or any other fees associated with removal or installation of warranted parts. Some states, provinces, or national legislation do not allow the exclusion or limitation of incidental or consequential damages, so this limitation may not apply to you.

Product modification: OVE reserves the right to change, modify or improve the Products without obligation to incorporate such changes in Products previously sold or installed.

Authority and Modification: The retail seller is not the agent of OVE and is not authorized to vary or modify the terms of the Limited Warranty. In addition, the retail seller cannot bind OVE or make any representations or promises about the Product that are binding on OVE.

CARE AND MAINTENANCE

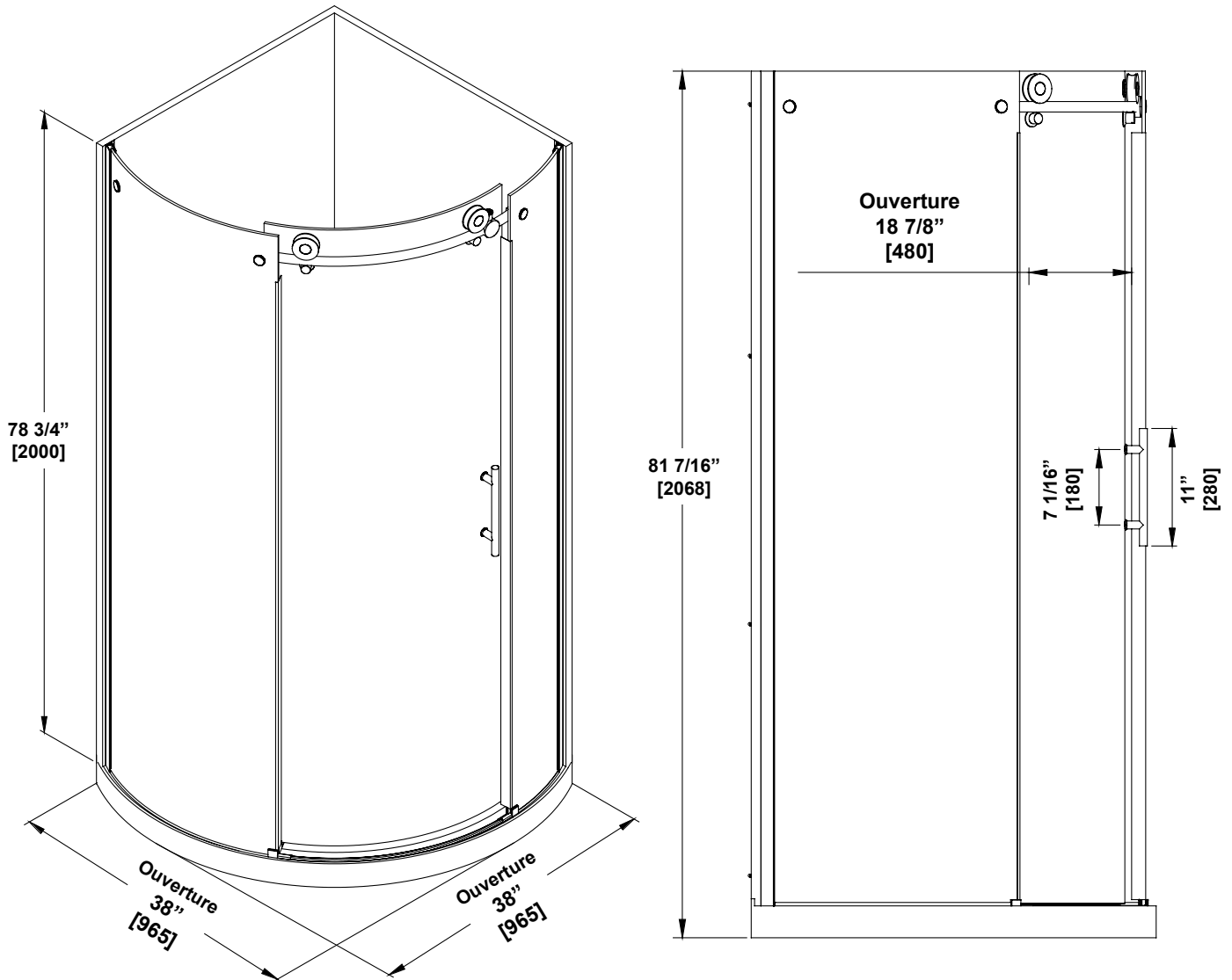
For the daily maintenance, use a wet cloth and a soft liquid cleaner.

Never use abrasive cleaners containing some acetone, chlorine or strong bleach, scrapers, metallic brushes, nor other objects or the products which can graze or tarnish surfaces.

Use a ratchet to strongly tighten any bolts used to support the fixed glass panels or doors panel (support bolts can withstand up to 250 lbf*in of torque).

Check these bolts every 4 months and re-tighten them if necessary.

Mesures: pouces [millimètres]



Date de l'achat: _____

Numéro de référence du produit: _____



Questions, problèmes ou pièces manquantes?

Avant de retourner le produit à votre détaillant, contactez notre service à la clientèle au 1-866-839-2888, du lundi au vendredi de 9h00 à 17h00 HNE.

INFORMATION SUR LA SÉCURITÉ

AVERTISSEMENT

Veillez lire attentivement les importantes consignes de sécurité suivantes avant la manutention et l'installation de cette douche. La manipulation de ce produit présente un risque de blessure grave. Pour minimiser ces risques, veuillez prendre note de ce qui suit:

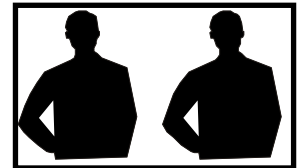
- Toujours porter des lunettes et des gants de sécurité pendant la manutention.
- Toujours lire et suivre toutes les étapes indiquées dans les instructions d'installation.
- Avant l'installation, inspecter tout le contenu et le verre pour détecter toute forme de dommages.
- Pendant l'installation, faire très attention lorsque vous manipulez les pièces en verre, car le verre trempé peut se fracasser s'il entre en contact avec une surface dure.
- Manipulez le verre trempé avec précaution sinon il pourrait se briser en petits morceaux (jamais en fragments pointus).
- Prendre toujours toutes les précautions nécessaires pour que, pendant l'installation ou après, les outils que vous utilisez n'entrent pas en contact avec le verre trempé.
- Ne pas couper ni modifier le verre trempé, car il pourrait se briser en éclat s'il est coupé.
- Sortir le produit de son emballage avec soin et le conserver jusqu'à ce que l'installation soit complétée.
- Inspectez toutes les pièces. S'il y a des dommages sur le produit avant l'installation, veuillez communiquer avec le service à la clientèle au numéro indiqué dans ce guide.
- Installez la douche sur un plancher au niveau et capable de supporter le produit et son utilisateur.
- Veuillez consulter le code du bâtiment et les normes de conformité avant l'installation du produit.
- Après l'installation, et périodiquement, vérifier l'assemblage et la finition des pièces en verre, pour vous assurer qu'aucun élément ne s'est desserré depuis l'installation.
- Conserver le présent manuel d'instruction pour consultation future.

AVIS

- Toute modification ou altération apportée aux indications données dans le présent manuel d'instructions annule toute garantie associée à ce produit.
- Le distributeur n'est pas responsable pour les dommages sur le produit ou sur la personne causés par une installation inadéquate. Si vous ne tenez pas compte des indications du manuel d'instruction, vous annulez votre garantie et vous vous exposez à des dommages causés par les fuites d'eau.
- Pour de plus amples renseignements sur l'installation du produit ou si vous avez des questions, veuillez consulter le site www.ovedecors.com.

PRÉPARATION

2 personnes sont requises pour installer le produit correctement et sécuritairement.



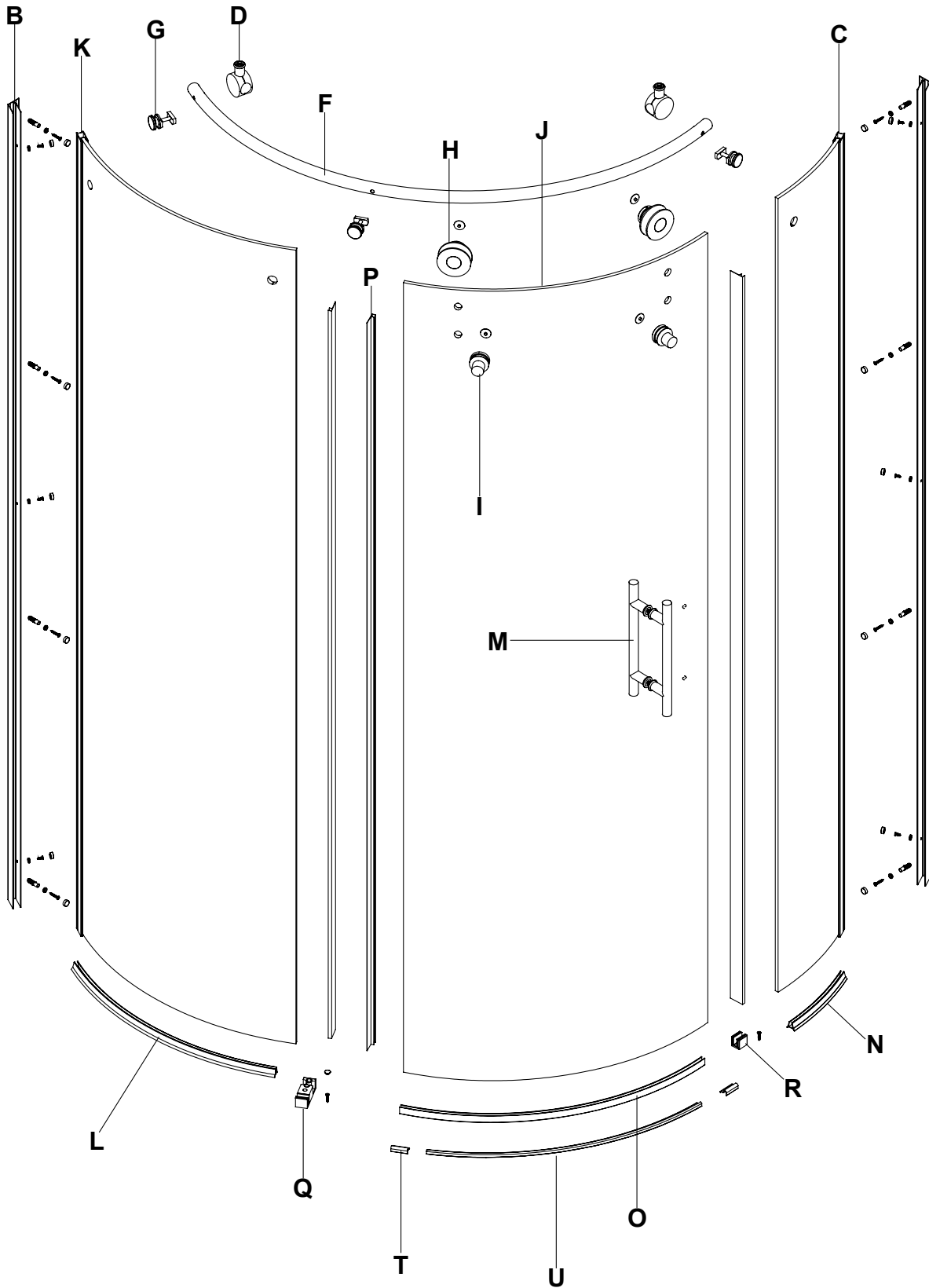
Avant de commencer l'installation du produit, soyez assuré d'avoir toutes les pièces. Comparez les pièces avec les listes fournies. S'il y a des pièces manquantes ou endommagées, ne tentez pas d'assembler le produit.

Temps de montage estimé: douche (60 min).

TABLE DES MATIÈRES

CONTENU DE L'EMBALLAGE.....	20
QUINCAILLERIE.....	21
OUTILS REQUIS.....	21
CETTE N'EST PAS DOUCHE EST RÉVERSIBLE.....	22
GUIDE D'INSTALLATION DE LA BASE (OPTIONNEL)	23
INSTALLATION DES RAILS MURAUX.....	24
INSTALLATION DES PANNEAUX FIXES.....	25
INSTALLATION DE LA BARRE DE SUPPORT.....	27
INSTALLATION DE LA PORTE.....	28
INSTALLATION DE LA POIGNÉE ET SCELLAGE.....	29
GARANTIE LIMITÉE DU PRODUIT.....	30
TRAITEMENT ET ENTRETIEN.....	30

CONTENU DE L'EMBALLAGE



CONTENU DE L'EMBALLAGE

# DE PIÈCE	DESCRIPTION	QUANTITÉ	CODE
B	Rail muraux	2	99STR1094-WM
C	Panneau fixe (Petit)	1	99SG10335-WM
D	Buttées pour roues	2	99SDS0012-WM
F	Barre de support	1	99SGC1059-WM
G	Raccords pour panneau fixe	3	99SGC1060-WM
H	Roue de la porte	2	99SWE0039-WM
I	Buttée anti-sauts	2	99SWE0040-WM
J	Panneau de la porte	1	99SGD0060-WM
K	Panneau fixe (Grand)	1	99SG10336-WM
L	Joint d'étanchéité du bas du panneau fixe (Long)	1	99SRU0205
M	Poignée de porte	1	99SHA3630-WM
N	Joint d'étanchéité du bas du panneau fixe (Court)	1	99SRU0202
O	Joint d'étanchéité du bas de la porte	1	99SRU0203
P	Joints d'étanchéités verticaux des panneaux de verre	3	99SRU0204
Q	Guide de porte (avec joint d'étanchéité)	1	99SGC0017-WM
R	Clip de supports pour panneaux de verre	1	99SGC0018-WM
T	Embouts décoratif	2	99SHW0043-WM
U	Rail décoratif	1	99STR1095-WM
V	Quincaillerie	1	99SHW0130-WM

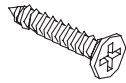
QUINCAILLERIE

AA



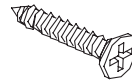
Vis
ST4x12mm
6+2

CC



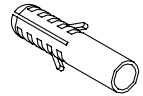
Vis
ST4x20mm
2+1

DD



Vis
ST4x30mm
8+2

EE



Ancrage mural
ø6x30mm
8+2

GG



Raccords
14+2

HH



Capuchon
14+2

II



Capuchon
4x

JJ



Clip
1x

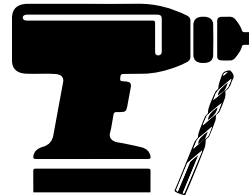
OUTILS REQUIS



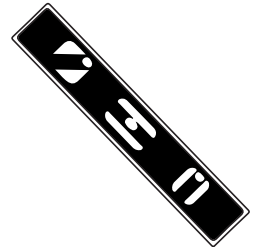
Crayon



Tournevis



Perceuse avec foret à ceramique
ø1/8" (3mm) & ø1/4" (6mm)



Niveau



Ruban à mesurer



Silicone



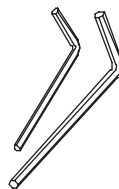
Maillet en caoutchouc



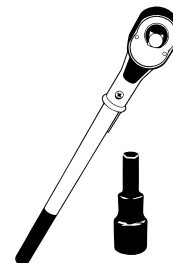
Exacto



Lunettes de Sécurité



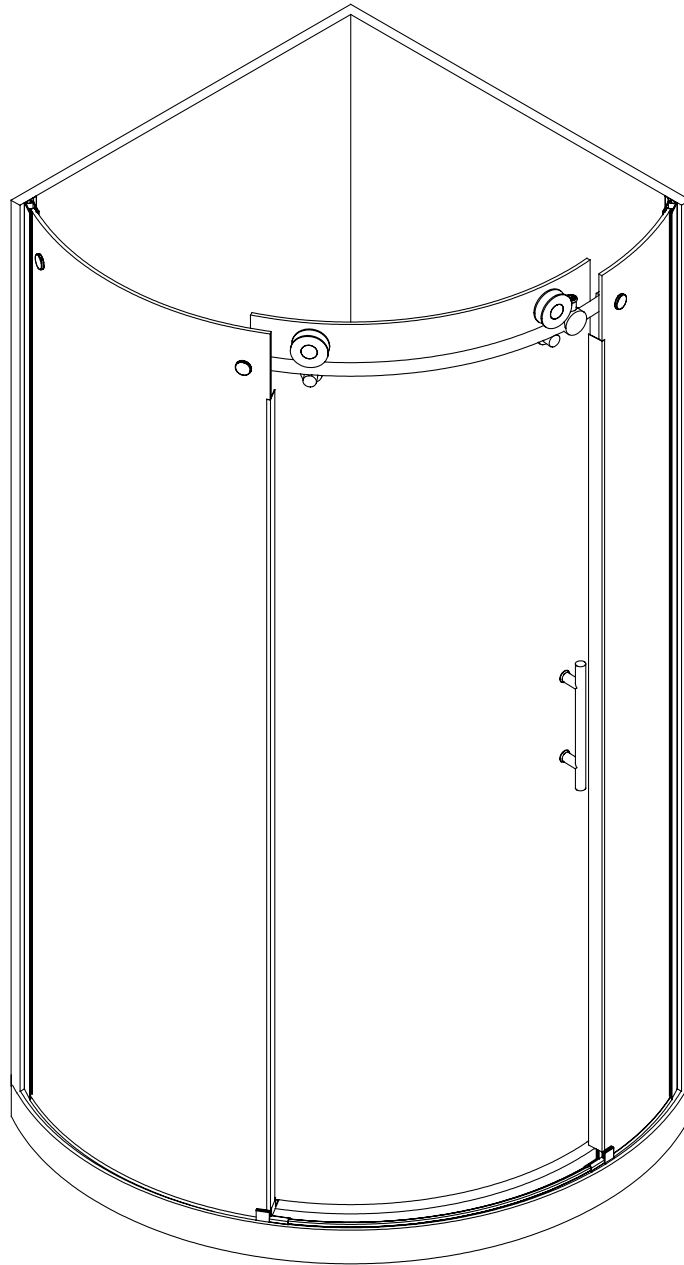
Clé Allen
2mm & 5mm



Clé à rochet
Embout 5mm

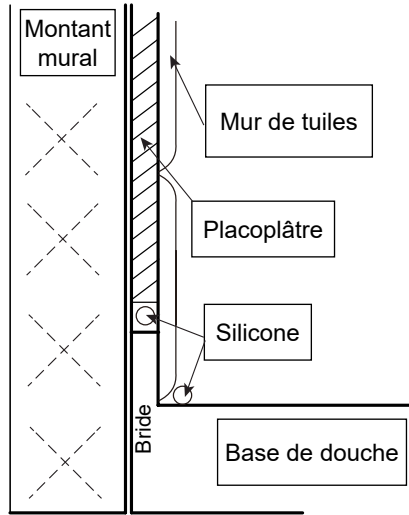
CETTE DOUCHE N'EST PAS RÉVERSIBLE

- Utilisez ces instructions pour une ouverture de la porte de droite à gauche.
- Notez que cette douche n'est pas réversible.

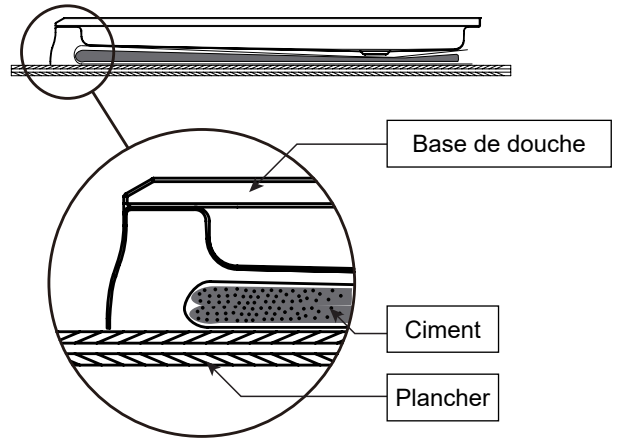


GUIDE D'INSTALLATION DE LA BASE (OPTIONNEL)

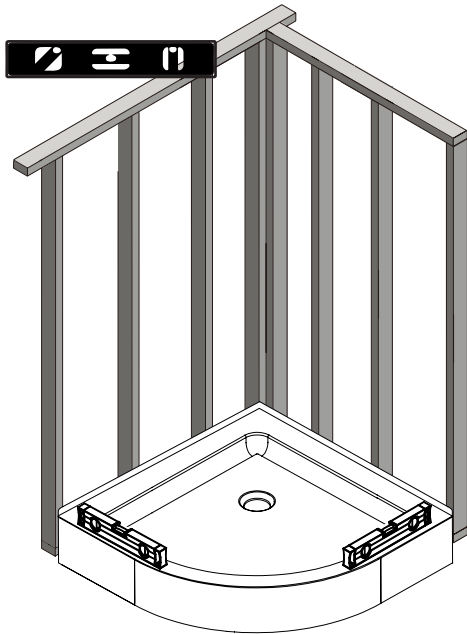
1



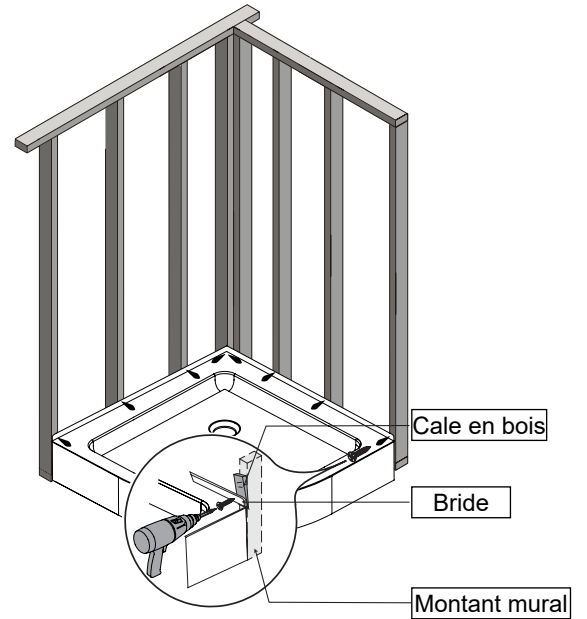
2



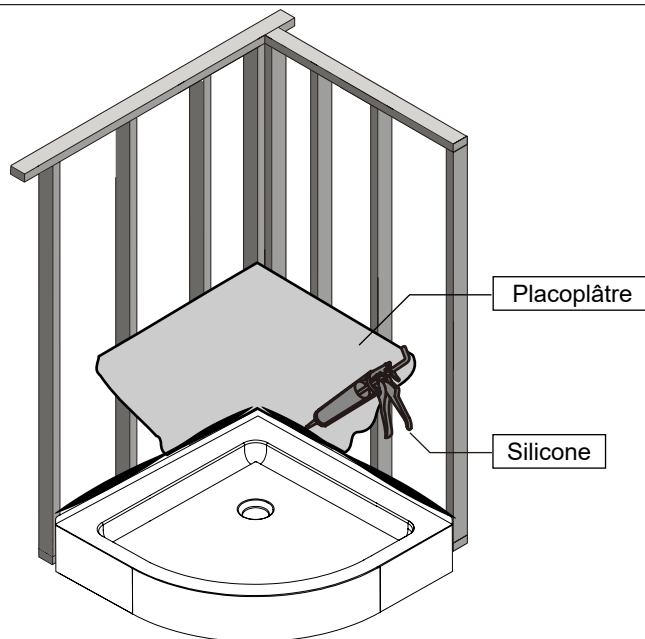
3



4



5

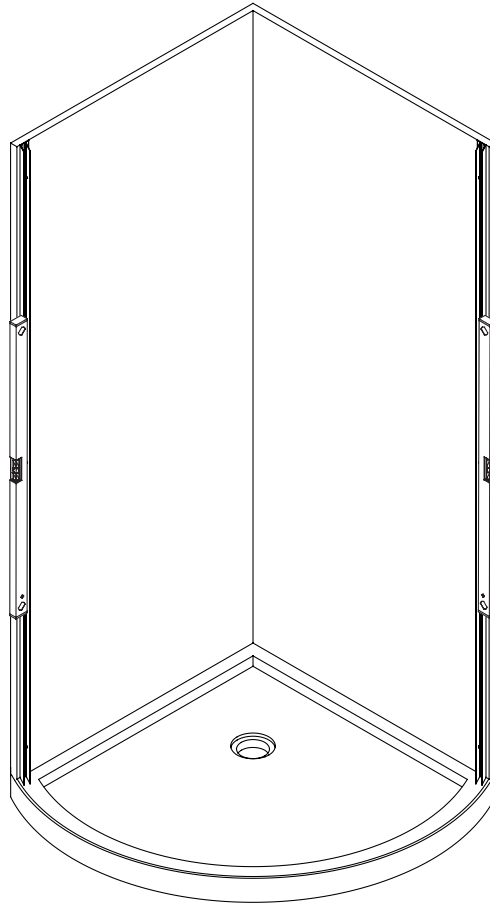
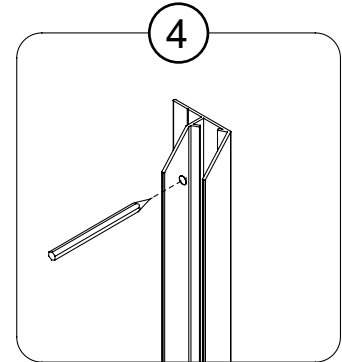
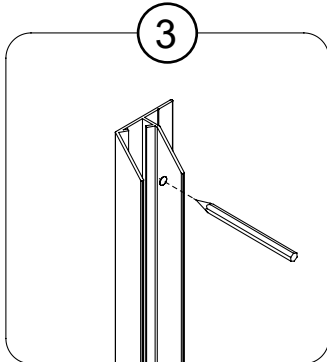
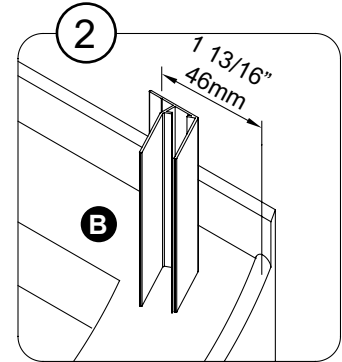
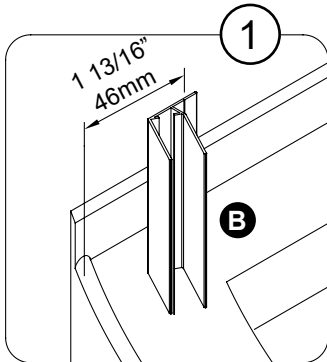


INSTALLATION DES RAILS MURAUX

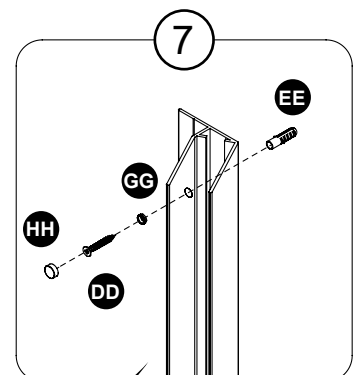
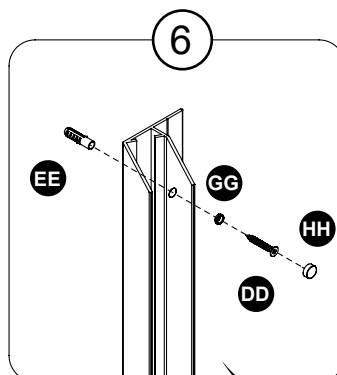
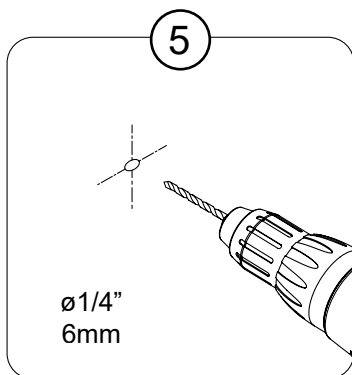
1-4. Mettre les rails (B) à niveau et marquer l'emplacement des trous. 4 trous sont requis par rail.

5. Retirez les rails et percez des trous guides aux endroits marqués avec un foret $\varnothing 1/4"$ (6mm).

6-7. Insérez les ancrages muraux (EE) en utilisant un maillet en caoutchouc. Remplacez les rails (B), puis les fixer avec les vis (DD), les raccords (GG) et les capuchons (HH). Ne pas serrer trop fortement.



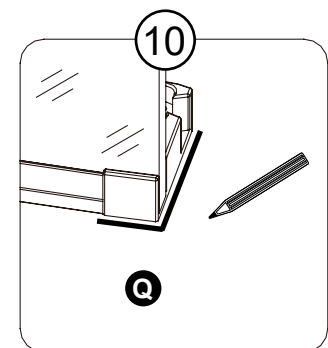
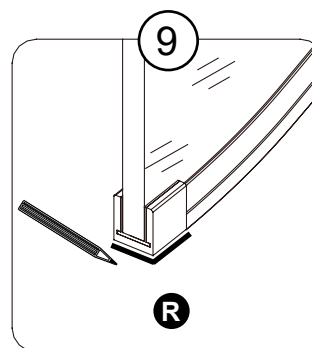
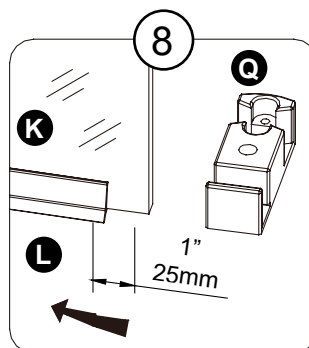
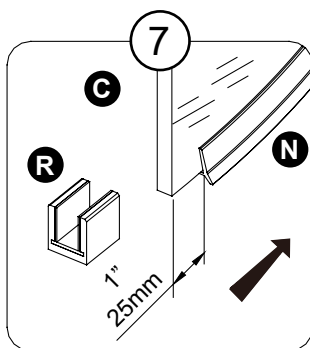
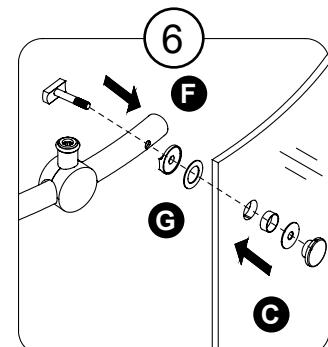
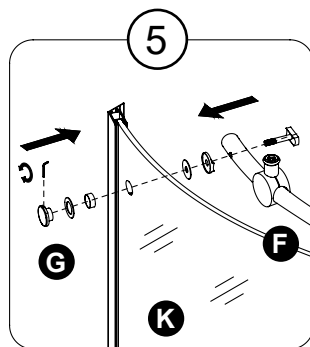
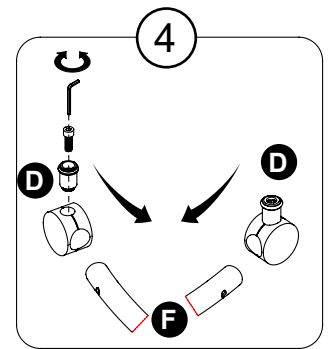
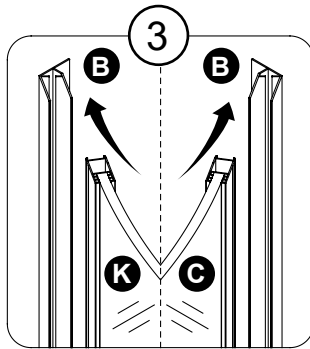
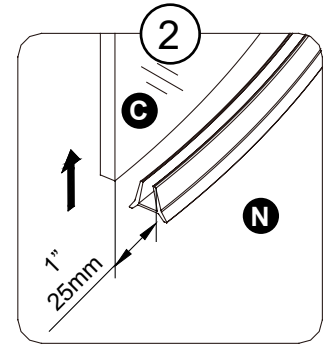
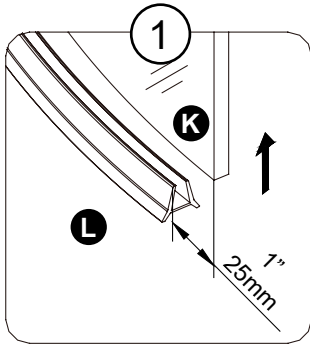
Important
S'assurer qu'il y a un montant mural vis-à-vis les rails muraux à l'arrière du placoplâtre!



Important
Ne pas serrer trop fortement, cela pourrait craquer les murs d'acrylique.

INSTALLATION DES PANNEAUX FIXES

- 1-2. Insérez les joints d'étanchéité du bas des panneaux fixes (N & L) à la base de leurs panneaux respectifs (C & K). Coupez le surplus avec un exacto.
3. Insérez les panneaux fixes (C & K) dans les rails muraux (B). Ne pas serrer pour l'instant.
4. Glissez les 2 butées (D) sur la barre de support (F).
- 5-6. Sans trop serrer, installez la basse (F) sur les panneaux fixes (C & K) en utilisant les raccords (G). S'assurer que tout est à niveau.
- 7-8. Glissez le support du panneau fixe (R) au bas du panneau (C) et puis le guide (Q) au bas du panneau (K).
- 9-10. Maquez la position du support (R) et du guide (Q) sur la base.

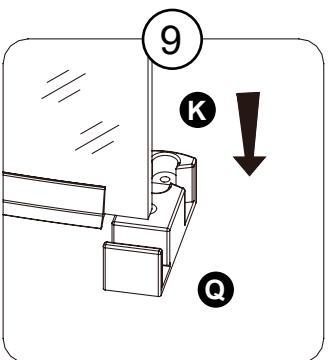
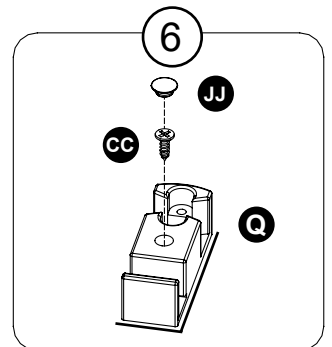
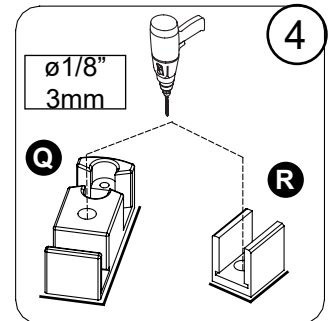
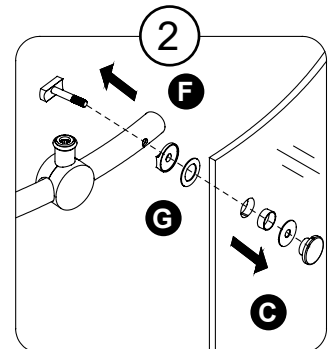
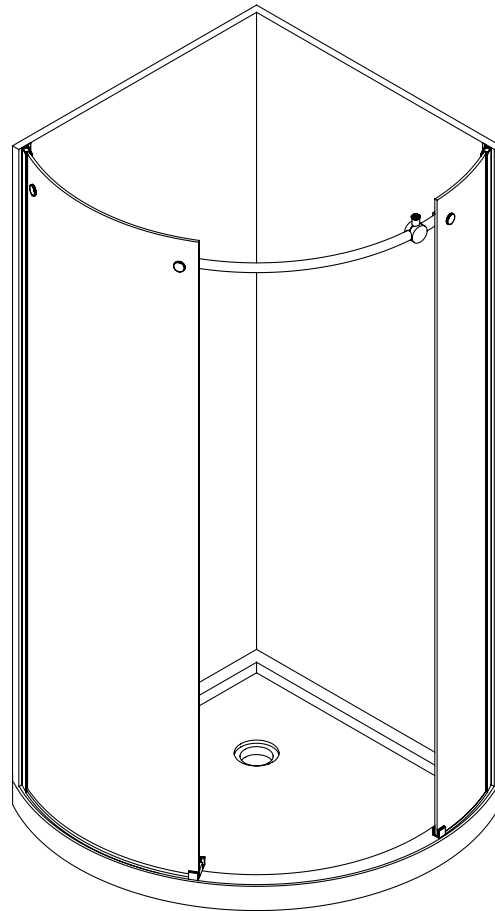
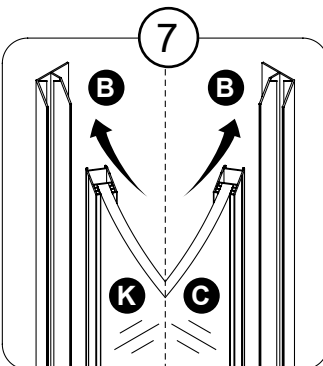
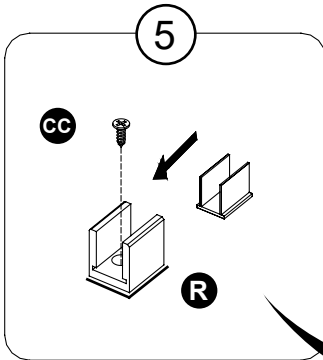
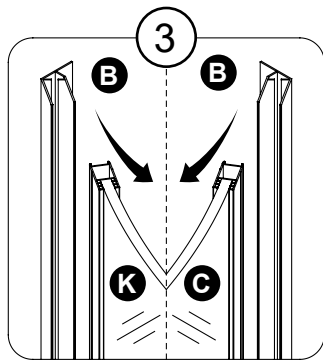
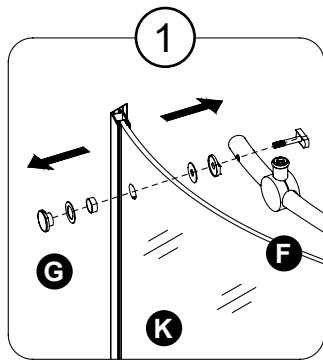


INSTALLATION DES PANNEAUX FIXES

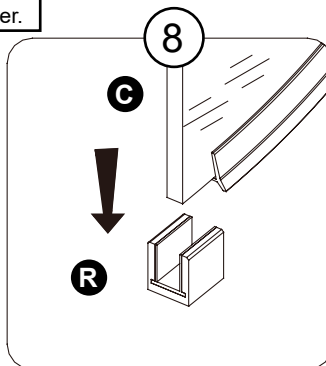
- 1-3. Retirer complètement la barre de support (F) et les panneaux fixes (C & K).
4. Retirez les joints de plastique dans le support (R) et le guide (Q). Percez les trous guides avec un foret $\varnothing 1/8"$ (3mm).
- 5-6. Fixez le raccord (R) et le guide (Q) avec les vis (CC), puis replacez les joints de plastique. Installez la clip (JJ) sur la vis du guide (Q).
7. Replacez les panneaux fixes (C & K) dans les 2 rails muraux (B).

Note: Les rails muraux (B) permettent d'ajuster la position des panneaux fixes (C & K). Ajuster la profondeur ou/et donner un léger angle au panneau permet d'obtenir un alignement parfait avec la porte.

- 8-9. Replacez les panneaux fixes (C & K) dans le support (R) et le guide (Q), respectivement.



Important
Pour les étapes 5 & 6, ajoutez une goutte de silicone dans les trous avant de visser.



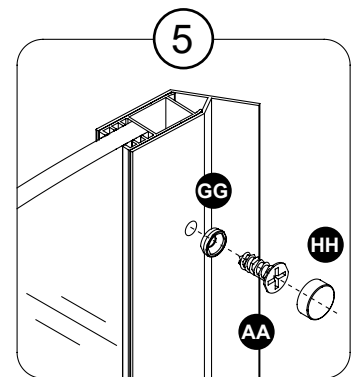
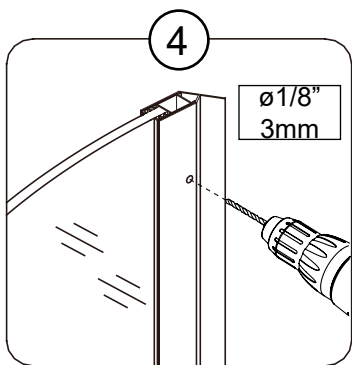
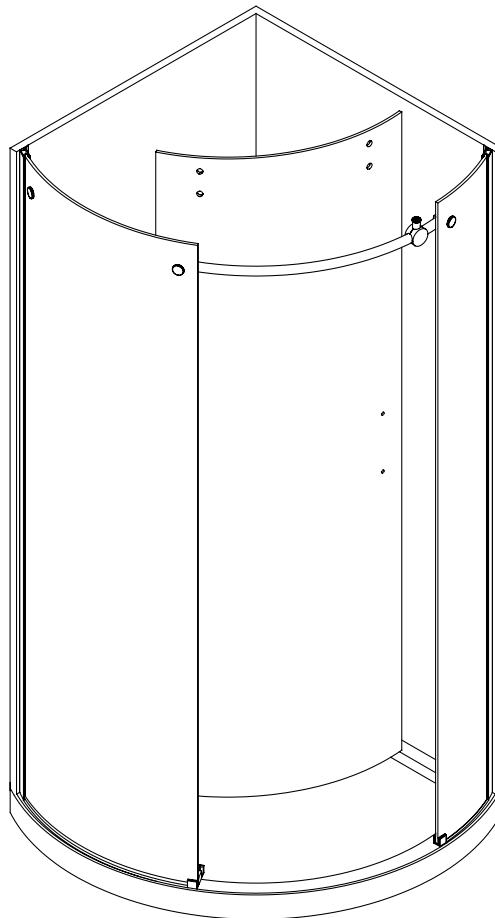
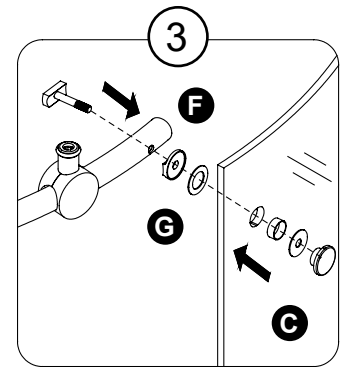
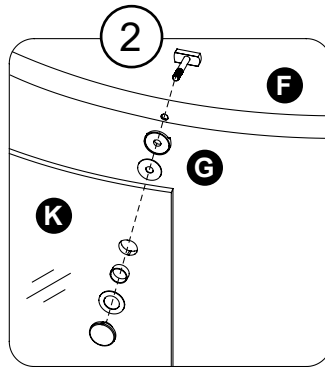
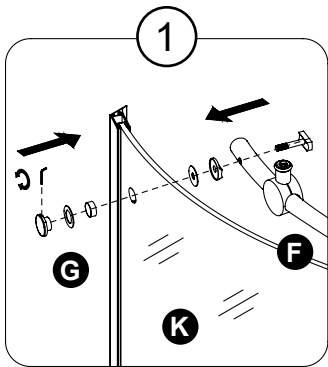
INSTALLATION DE LA BARRE DE SUPPORT

Placez le panneau (J) à l'intérieur de la douche afin de faciliter les étapes ultérieures.

1-3. Fixez les panneaux (C & K) sur la barre de support (F) en utilisant les raccords (G).

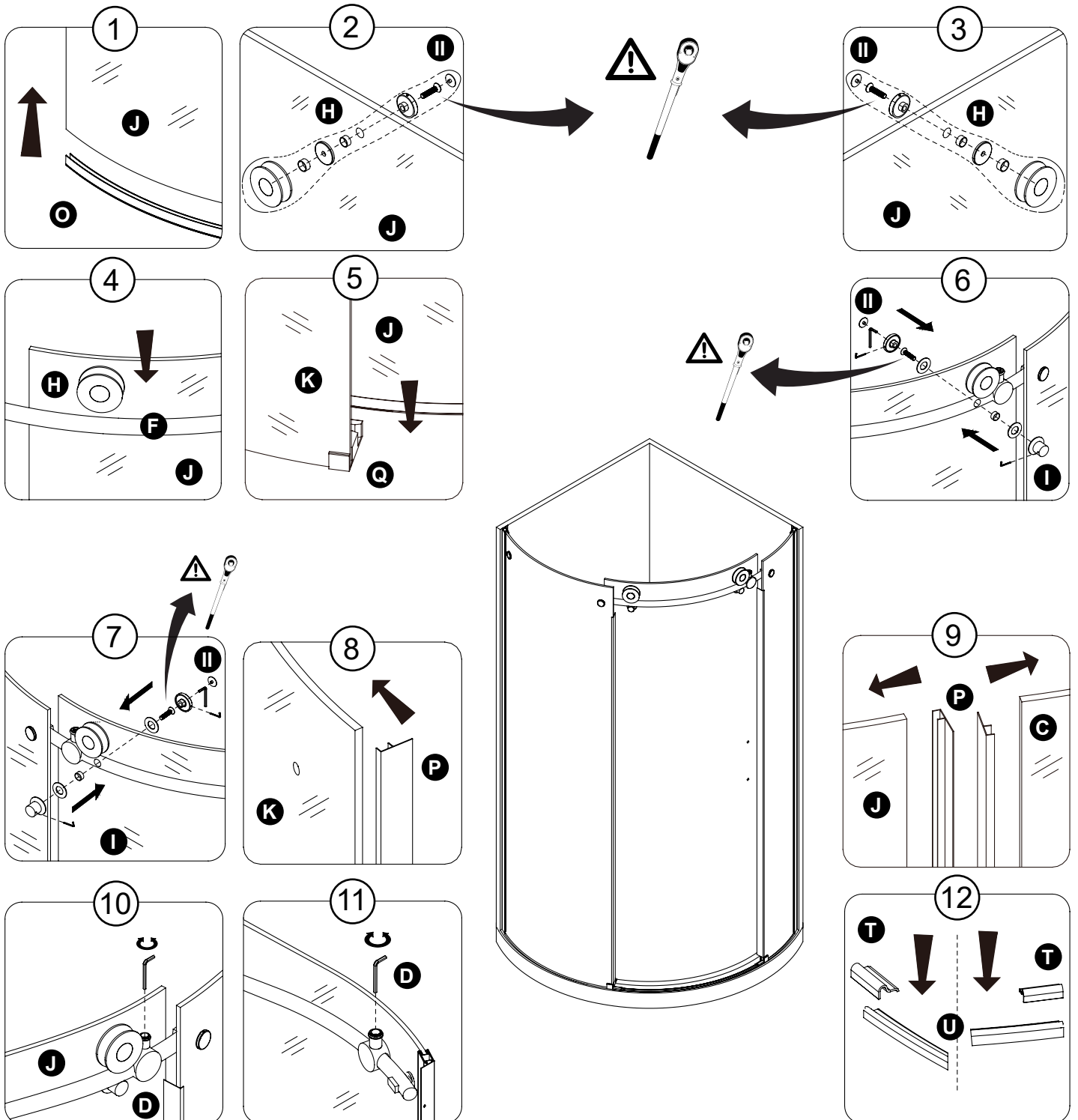
4. Percez les 2 rails muraux (B) en 3 positions (haut, milieu et bas) avec un foret $\varnothing 1/8"$ (3mm). Mettre à niveau les panneaux.

5. Fixez les 2 panneaux fixes (C & K) avec les raccords (GG), les vis (AA) et les capuchons (HH).



INSTALLATION DE LA PORTE

1. Insérez le joint d'étanchéité du bas de la porte (O) à la base de la porte (J) et coupez le surplus avec un exacto.
- 2-3. Installez les 2 roues (H) sur la porte (J). Utilisez une clé à rochet afin de fortement serrez les boulons.
4. Suspendre la porte (J) par ses 2 roues (H) sur la barre de support (F).
5. Placez la porte (J) dans le guide (Q).
- 6-7. Installez les 2 butées anti-sauts (I) sur la porte (J). Utilisez une clé à rochet afin de serrer fortement.
- 8-9. Installez les 3 joints d'étanchéité (P).
- 10-11 Positionnez les 2 butées (D) afin qu'ils permettent d'empêcher que la porte ne se heurte contre les murs. Utilisez une clé Allen afin de fortement vissez ces butées en place.
12. Utilisez du silicone pour installer le rail décoratif (U) en face de la porte. Glissez les embouts décoratifs (T) dans le rail (U).



INSTALLATION DE LA POIGNÉE ET SCELLAGE

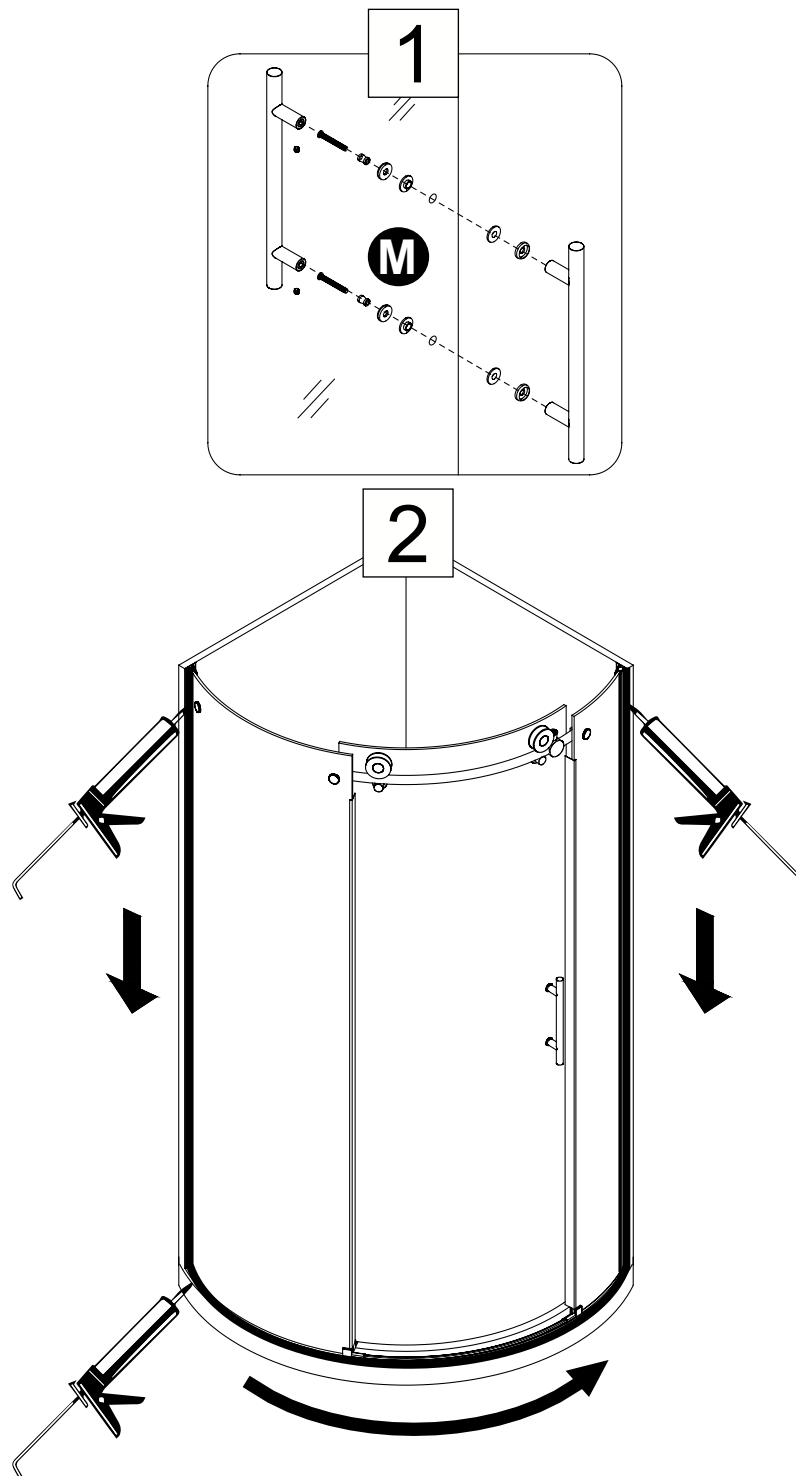
1. Installez la poignée de porte (M) avec une clé Allen.

2. Assurez-vous que la porte se ferme hermétiquement et s'ouvre doucement, et que le châssis et la barre de support sont étroitement fixés aux panneaux de verre.

Appliquez un scellant étanche à base de silicone sur le contour extérieur de toutes les composantes de la douche (horizontalement, entre la partie inférieure des panneaux de verres et la base, et verticalement entre le mur, le châssis et tous les panneaux de verre).

Laissez sécher le scellant pendant 24 heures.

Une application inadéquate du scellant pourrait entraîner des fuites.



OVE Decors ULC

Garantie LIMITÉE du produit

OVE est distributeur des produits suivants:

- Portes de douche (garantie de cinq ans).
- Surfaces en acrylique (garantie de cinq ans contre le cloquage, le craquelage ou l'écaillage de la surface en acrylique).
- Structure en acrylique de la coque (garantie de 5 ans contre les fuites d'eau à travers le stratifié en fibre de verre de la coque en acrylique).
- Quincaillerie de la douche (poignée, charnières, fixations de support en caoutchouc, barre de support en métal et rails muraux) (garantie contre les défauts de fabrication et de matériel pour une période d'un an).

Garantie limitée: OVE garantit à l'acheteur original que dans un délai raisonnable après réception d'un avis de sa part, OVE réparera ou remplacera le produit, ou toute partie ou composante du produit visé, distribué par OVE, dont la défektivité de matériel ou de fabrication est établie à la satisfaction d'OVE, et qui est survenue pendant l'utilisation normale et pendant la période couverte par la garantie. La présente garantie limitée ne s'applique pas aux produits qui ont été endommagés, ou qui s'avéreraient défectueux, résultant de causes autres que des défauts de fabrication (notamment une installation inadéquate; l'absence d'entretien ou un entretien inapproprié; l'exposition à divers éléments, notamment des produits corrosifs, l'environnement ou l'eau; des modifications, une utilisation abusive ou incorrecte). La présente garantie ne s'étend pas aux dommages causés aux finis. La période de garantie débute à la date d'achat du produit par le client. La présente garantie s'applique exclusivement aux produits achetés et utilisés dans des applications non commerciales.

Procédure de réclamation dans le cadre de la garantie: Pour faire une réclamation, veuillez composer le **1-866-839-2888** afin de résoudre le problème et de lancer le processus de réclamation, ou communiquer par courriel à **info@ovedecors.com**. OVE pourra inspecter et évaluer les produits; tout produit ou composante de produit qui respectera les critères énoncés ci-haut relativement à la garantie sera réparé ou remplacé au gré d'OVE. Les pièces remplacées ou réparées seront expédiées sans frais pour le client au moyen d'un service de transport terrestre régulier uniquement. Tout autre mode d'expédition accéléré utilisé le sera aux frais du client.

EXONÉRATION ET EXCLUSION DE GARANTIE : La présente garantie se veut un énoncé complet et exclusif des conditions afférentes à toutes les garanties limitées offertes par OVE.

Dans les limites permises par la loi, autre que la garantie expresse donnée dans le présent document, OVE NE DONNE AUCUNE GARANTIE, EXPLICITE OU IMPLICITE, Y COMPRIS TOUTE GARANTIE IMPLICITE QUANT À LA GARANTIE MARCHANDE DU PRODUIT OU À SON ADÉQUATION À UN EMPLOI PARTICULIER.

La présente garantie vous confère des droits légaux spécifiques. Vous pourriez également jouir d'autres droits, qui varient en fonction de la législation étatique, provinciale ou nationale applicable, laquelle ne peut être niée ou modifiée par la déclaration d'exonération ci-dessus. Sauf dans la mesure permise, la déclaration d'exonération n'a pas pour objet d'annuler, de modifier, de décaler ou de modifier l'applicabilité de la législation étatique, provinciale ou nationale ayant prépondérance et qui serait incompatible avec les modalités de la présente garantie limitée ou exonération. Cependant, dans la mesure permise par la loi, aucune garantie implicite de qualité marchande ou d'adaptation n'est donnée ou accordée dans les présentes. Malgré cette mise en garde, si toute forme de garantie est imposée par la loi, dans la mesure permise, la durée de telles garanties implicites est limitée à la durée la plus courte entre la garantie expresse ou la prescription applicable en vertu de la loi en vigueur.

Les produits énumérés ci-dessus sont prévus pour une installation et une utilisation personnelle et résidentielle du consommateur. L'utilisation des produits à toutes autres fins, notamment à des fins commerciales, annule la présente garantie. La présente garantie limitée est uniquement applicable aux produits énumérés ci-dessus aux présentes, et aucune garantie n'est accordée à des produits non distribués par OVE. La garantie est applicable uniquement au premier acheteur au détail.

Transférabilité : La présente garantie ne peut être transférée.

RESTRICTION ET EXCLUSION DE RECOURS ET DOMMAGES : La seule responsabilité d'OVE en vertu de la présente garantie limitée est de réparer ou de remplacer, à son gré, tout produit ou composante de produit défectueux. L'acheteur convient qu'il s'agit du seul et unique recours qui lui est consenti en vertu de la garantie limitée. OVE ne peut être tenu responsable de quelques dommages accessoires, consécutifs, particuliers ou indirects, y compris la perte d'utilisation en conséquence de tout défaut de fabrication d'un produit. OVE ne sera pas responsable des frais de main-d'œuvre ou de tous autres frais associés aux travaux pour retirer ou installer les pièces visées par la garantie. Certaines lois étatiques, provinciales ou nationales n'autorisent pas l'exclusion ou la limitation des dommages accessoires ou consécutifs, donc cette restriction pourrait ne pas s'appliquer à votre cas.

Modification de produit : OVE se réserve le droit de changer, de modifier ou d'améliorer les produits sans être tenue d'incorporer ces modifications aux produits vendus ou installés précédemment.

Autorité et modification : Le vendeur au détail n'est pas le représentant d'OVE et n'est pas autorisé à modifier ou à changer les modalités de la garantie limitée. De plus, le détaillant ne peut lier OVE ni faire de représentation ou de promesses à l'égard du produit qui sont contraignantes pour OVE.

En cas de divergences entre la version anglaise et la version française, la version dans la langue d'origine fait foi.

TRAITEMENT ET ENTRETIEN

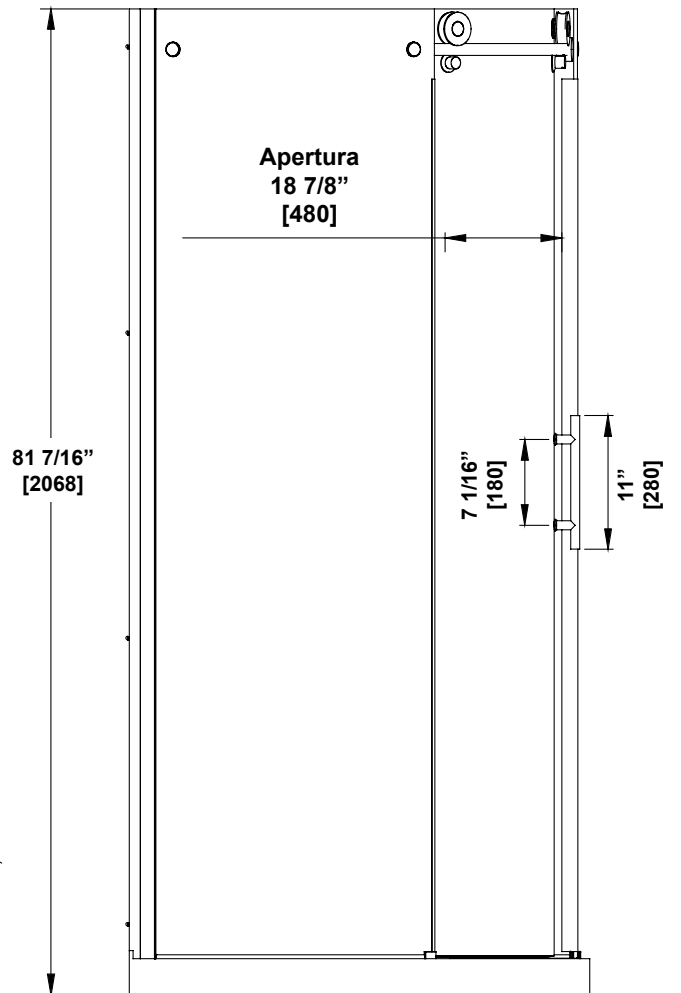
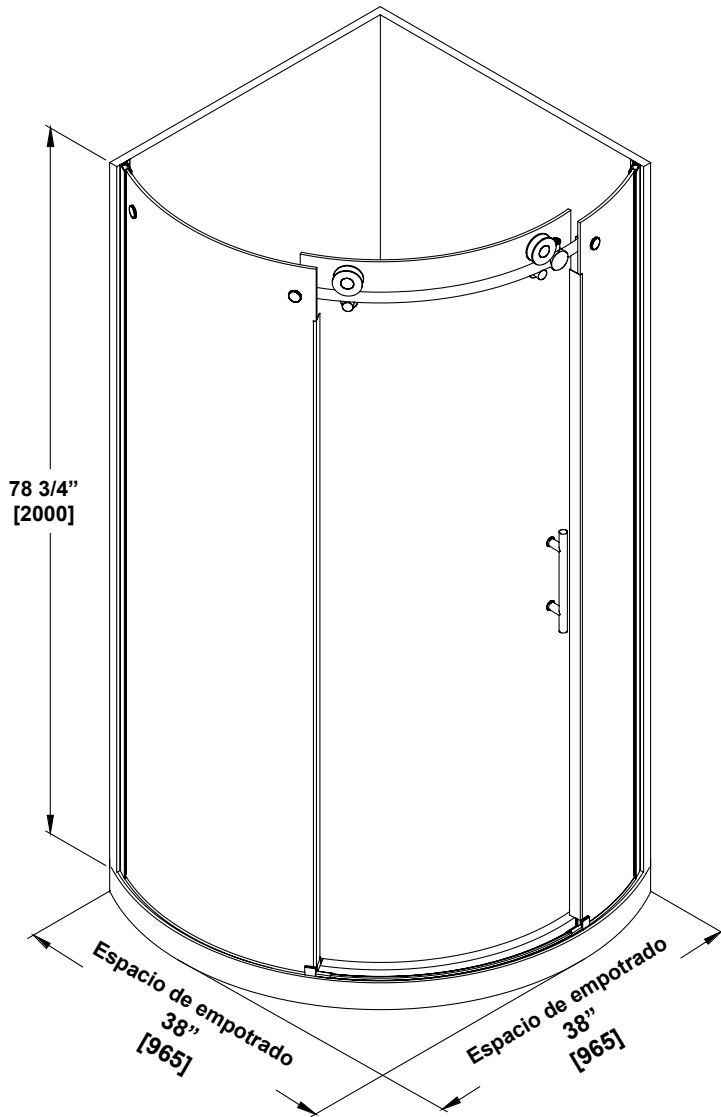
Utilisez un chiffon mouillé et un nettoyant liquide doux pour l'entretien quotidien.

N'utilisez jamais de nettoyants abrasifs contenant de l'acétone, du chlore ou du javellisant puissant, et évitez les grattoirs, les brosses métalliques et tout autre objet ou produit pouvant érafler ou ternir les surfaces.

Utilisez la clé à rochet pour serrer fortement tous boulons faisant partie d'une pièce supportant les panneaux fixes de verre et les portes. Ces boulons peuvent soutenir jusqu'à 250 lbf*in de tension de serrage.

Vérifiez ces boulons tous les 4 mois et re-serrer les si nécessaire.

Medidas: pulgadas [milímetros]



Fecha de compra: _____ Seguimiento y referencia del producto: _____



Preguntas, problemas, piezas faltantes?

Antes de volver a la tienda, llame a nuestro departamento de servicio al cliente al 1-866-839-2888, 9 am. – 5 pm., HDE, Lunes a Viernes..

INFORMACIÓN DE SEGURIDAD

PRECAUCIÓN

Lea cuidadosamente la siguiente información importante antes de manipular e instalar la ducha. Hay riesgo de lesiones graves mientras se manipula el producto. Para minimizar estos riesgos, sírvase notar:

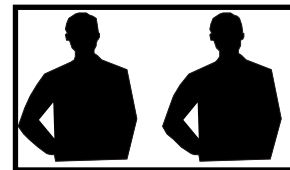
- Utilice siempre anteojos de seguridad y guantes durante la manipulación.
- Lea y siga siempre todos los pasos en las instrucciones de instalación.
- Inspeccione todo el contenido y el vidrio por daños antes de la instalación.
- Hay que prestar atención especial mientras se manipula el vidrio durante la instalación ya que el vidrio templado se puede despedazar al contacto con una superficie dura.
- Manipule el vidrio templado con precaución! Una manipulación inadecuada del vidrio puede ocasionar que se rompa.
- Observe siempre todas las precauciones para no tocar el vidrio templado con ninguna herramienta durante ni después de la instalación.
- No corte el vidrio templado puesto que se despedazará si se corta.
- Retire con cuidado los productos de envase y embalaje mantendrá hasta que la instalación se haya completado.
- Inspeccione todas las piezas en busca de daños, si hay daños en la unidad antes de la instalación, póngase en contacto con el servicio al cliente al teléfono que figura en esta guía.
- Instale la ducha en un piso que esté nivelado y pueda contener el peso de la unidad y de un ocupante.
- Consulte los códigos de construcción locales y normas requeridas antes de la instalación y asegúrese de cumplirlos.
- Después de la instalación, y de tiempo en tiempo, verifique el ajuste el acabado del vidrio para asegurarse de que nada se ha aflojado con el tiempo.
- Guarde este manual de instalación para consulta en el futuro.

ATENCIÓN

- Cualquier modificación o alteración con respecto a lo especificado en este manual de instrucción anulará toda la garantía de este producto.
- El distribuidor no se hace responsable por cualquier tipo de daño a la unidad o propiedad personal ocasionado por una instalación inadecuada. Ignorar estas instrucciones anulará la garantía y ocasionará daños potenciales por agua en su hogar.
- Consulte www.ovedecors.com para cualquier información adicional o pregunta sobre la instalación de este producto.

PREPARACIÓN

Necesitará al menos dos personas para instalar esta unidad de forma adecuada.



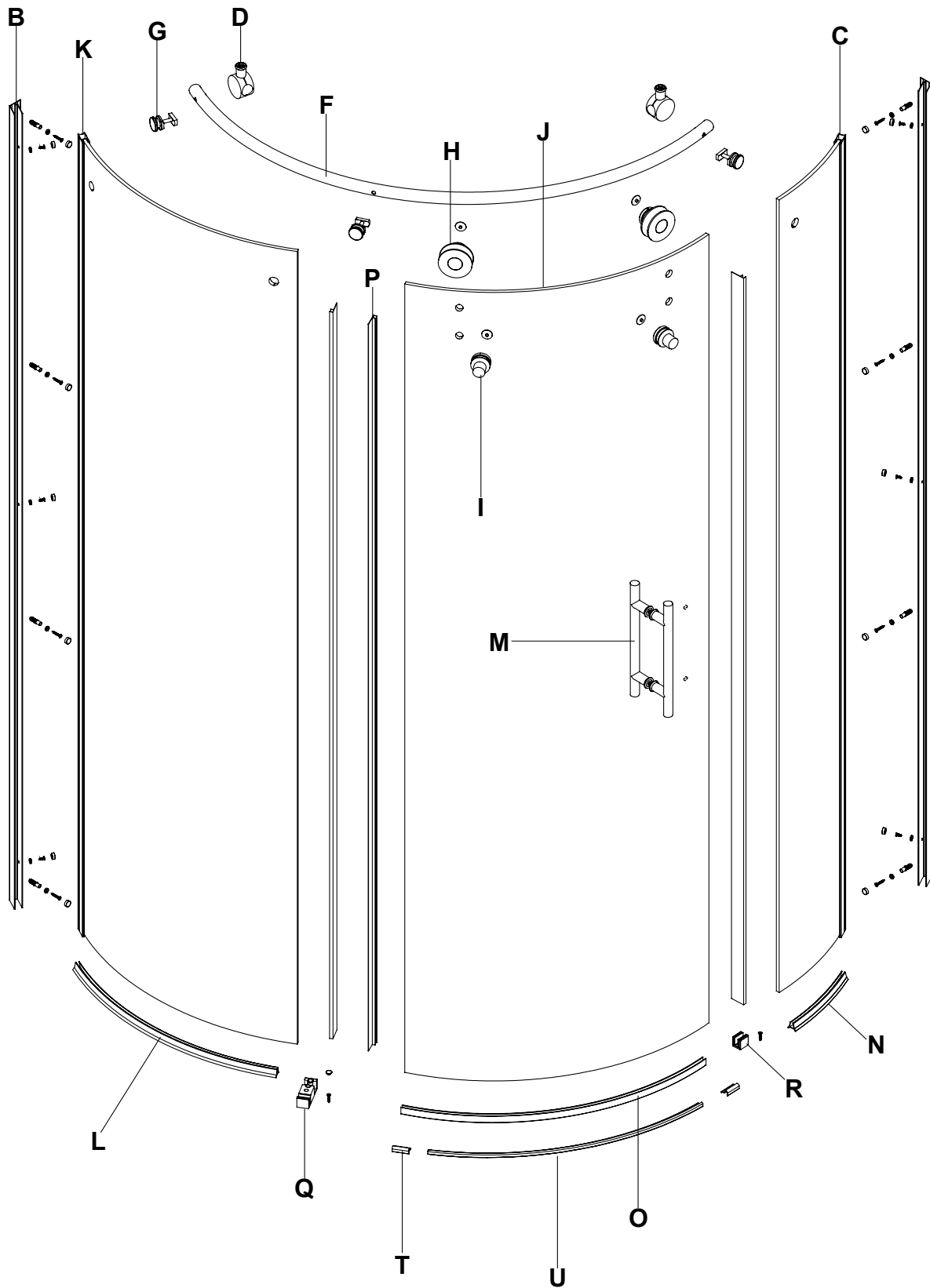
Antes de comenzar a ensamblar el producto, asegúrese de tener todas las piezas. Compare las piezas con la lista del contenido del paquete y la lista de aditamentos. No intente ensamblar el producto si falta alguna pieza o si estas están dañadas.

Tiempo estimado de ensamblaje: Ducha (60 min).

TABLA DE CONTENIDOS

CONTENIDO DEL PAQUETE.....	35
CONTENIDO DE HARDWARE.....	36
HERRAMIENTAS NECESARIAS.....	36
REVERSIBILIDAD DE LA DUCHA.....	37
DE PARED A PARED MEDIDAS.....	37
GUÍA PARA LA INSTALACIÓN LA BASE (OPCIONAL).....	38
INSTALACIÓN DEL RIEL DE LA PARED.....	39
INSTALACIÓN DEL PANEL FIJO.....	40
INSTALACIÓN DE LA BARRA DE SOPORTE.....	43
INSTALACIÓN DEL PANEL DE LA PUERTA.....	41
INSTALACIÓN DE LA MANIJA Y SELLADO.....	44
GARANTÍA LIMITADA DE PRODUCTOS.....	45
CUIDADO Y MANTENIMIENTO.....	45

CONTENIDO DEL PAQUETE



CONTENIDO DEL PAQUETE

PARTE#	DESCRIPCIÓN	CANTIDAD	CÓDIO
B	Riel metálico	2	99STR1094-WM
C	Panel fijo (Pequeño)	1	99SG10335-WM
D	Retenedor de los rodillos	2	99SDS0012-WM
F	Barra de soporte	1	99SGC1059-WM
G	Abrazaderas fijas de panel	3	99SGC1060-WM
H	Rodillo de la puerta	2	99SWE0039-WM
I	Cabo anti-saltos	2	99SWE0040-WM
J	Panel de la puerta	1	99SGD0060-WM
K	Panel fijo (Grande)	1	99SG10336-WM
L	Sello de estanqueidad en parte inferior del panel (largo)	1	99SRU0205
M	Manija de la puerta	1	99SHA3630-WM
N	Sello de estanqueidad en parte inferior del panel (corto)	1	99SRU0202
O	Sello de estanqueidad en parte inferior de puerta	1	99SRU0203
P	Sellos de estanqueidad verticales de paneles de vidrio	3	99SRU0204
Q	Guía de la puerta (con sello de estanqueidad)	1	99SGC0017-WM
R	Abrazadera de soporte del panel de vidrio fijo	1	99SGC0018-WM
T	Capuchones decorativos	2	99SHW0043-WM
U	Riel decorativo	1	99STR1095-WM
V	Contenido de hardware	1	99SHW0130-WM

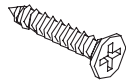
CONTENIDO DE HARDWARE

AA



Tornillo
ST4x12mm
6+2

CC



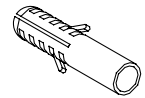
Tornillo
ST4x20mm
2+1

DD



Tornillo
ST4x30mm
8+2

EE



Tarugo
ø6x30mm
8+2

GG



Accesorio
14+2

HH



Capuchón
14+2

II



Capuchón
4x

JJ



Capuchón
1x

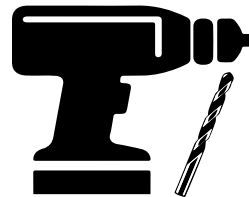
HERRAMIENTAS NECESARIAS



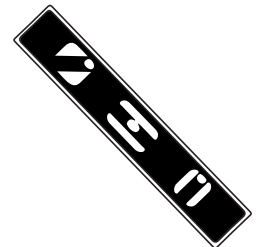
Lápiz



Destornillador



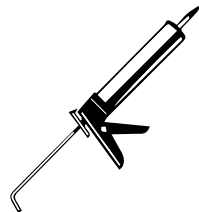
Taladro con brocas para cerámica
ø1/8" (3mm) & ø1/4" (6mm)



Nivel



Cinta medidora



Silicona



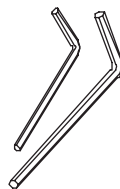
Mazo de goma



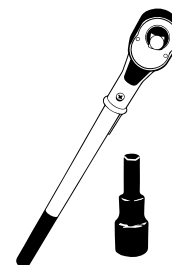
Cuchilla



Anteojos de seguridad



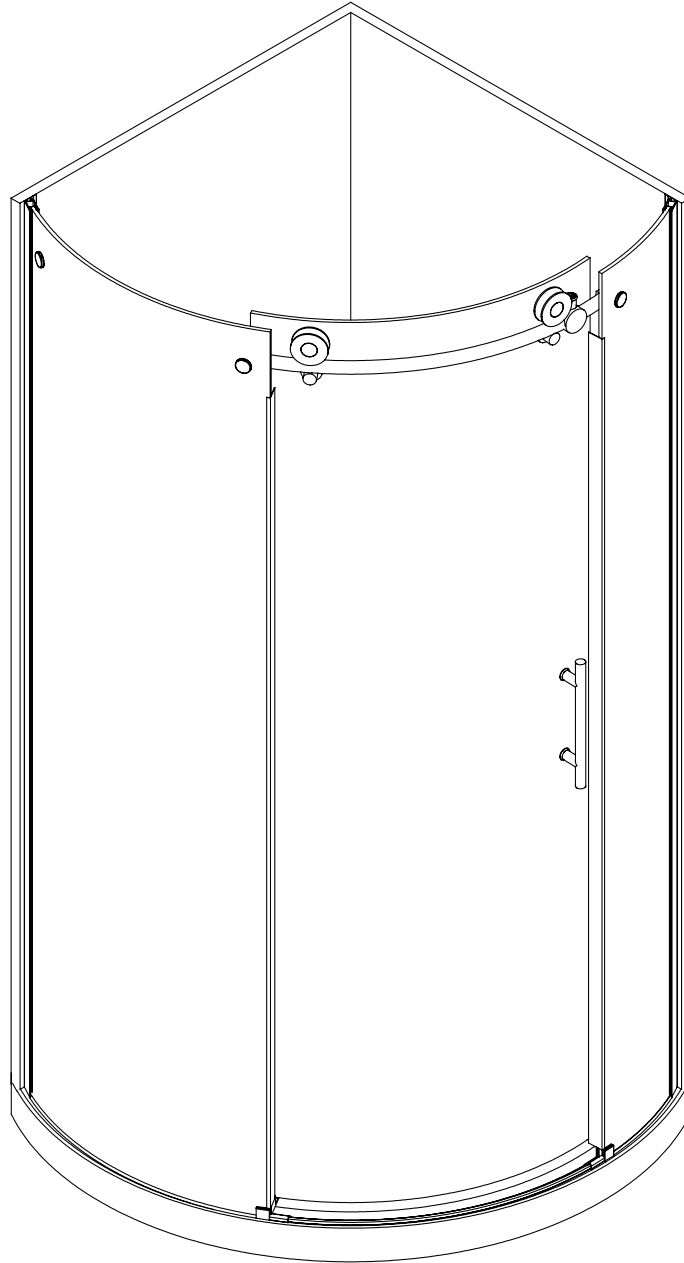
Llave Allen
2mm & 5mm



Llave de trinquete
Copa de 5mm

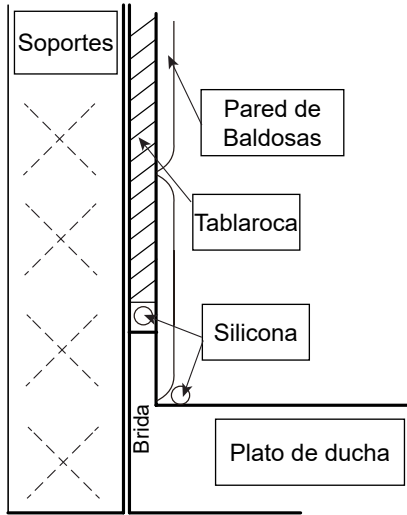
ESTA DUCHA NO ES REVERSIBLE

- Estas instrucciones fueron elaboradas para una abertura de puerta de derecha a izquierda.
- Obsérvese que esta ducha no es reversible.

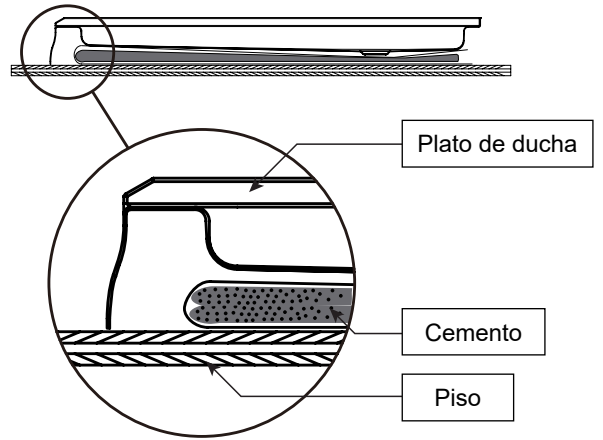


PAUTAS PARA LA INSTALACIÓN BASE (OPCIONAL)

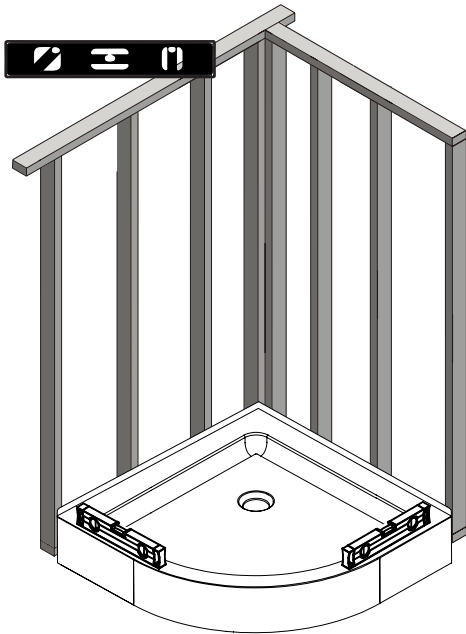
1



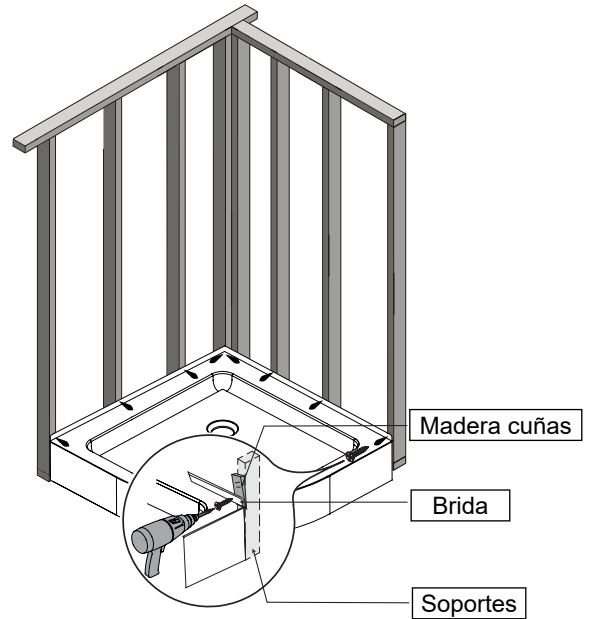
2



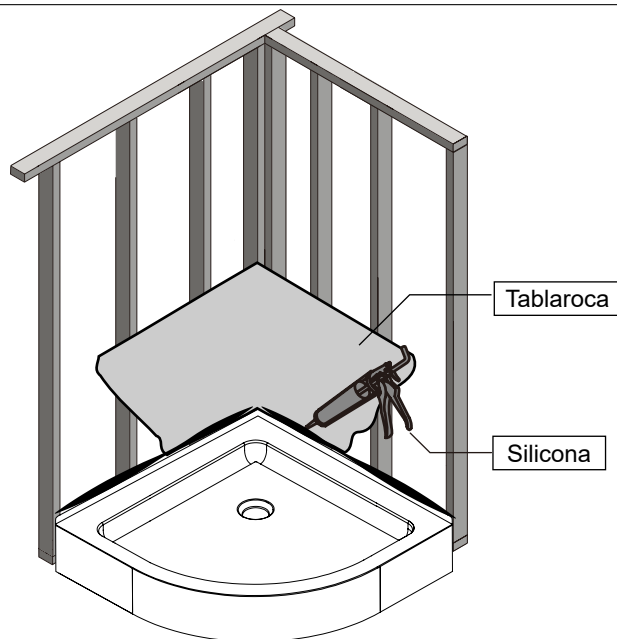
3



4



5

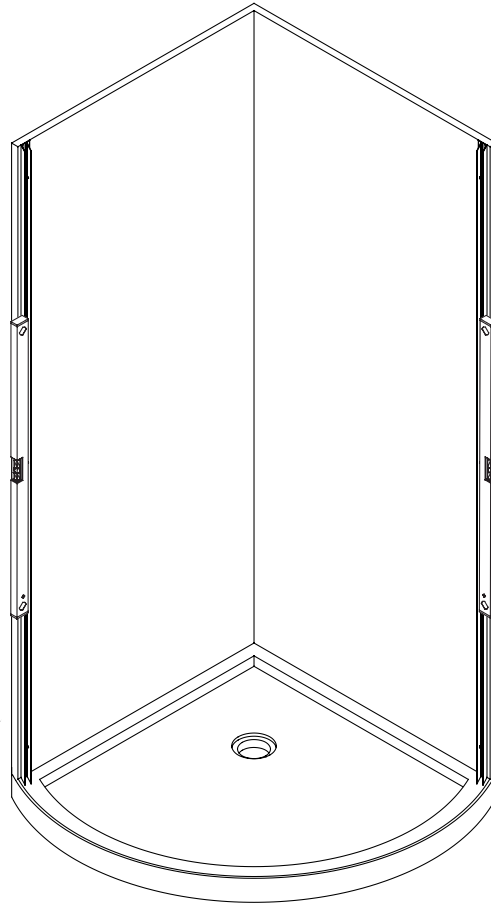
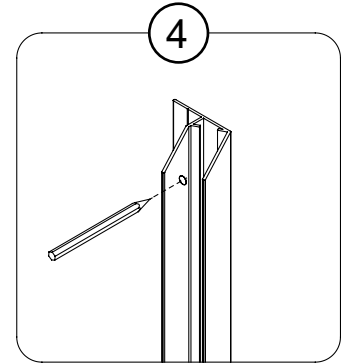
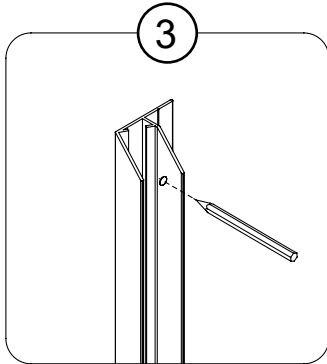
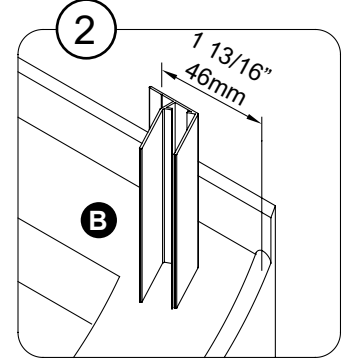
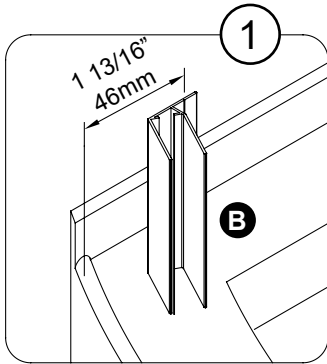


INSTALACIÓN DEL RIEL DE LA PARED

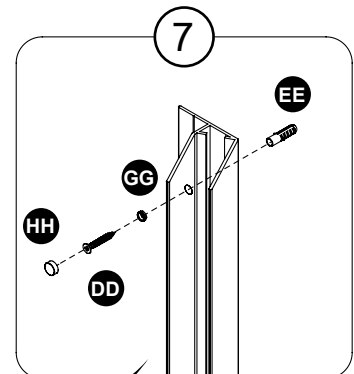
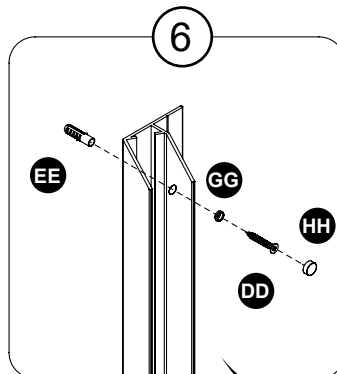
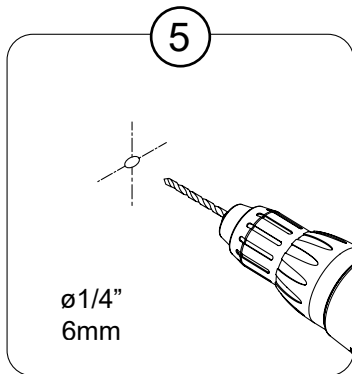
1-4. Nivele los rieles (B) y marque las posiciones de los agujeros de los rieles. 4 agujeros por cada riel.

5. Retire los rieles y perforo los agujeros guía en los sitios marcados con una broca de $\varnothing 1/4"$ (6mm).

6-7. Inserte los tacos (EE) de pared utilizando un mazo de caucho hasta que los tacos de pared estén a ras con la pared. Vuelva a colocar y fijar los 2 rieles (B) con tornillos (DD), los accesorios (GG) y los capuchones (HH). No apriete demasiado.



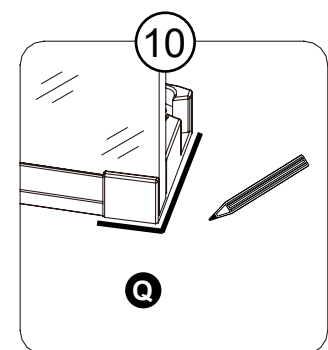
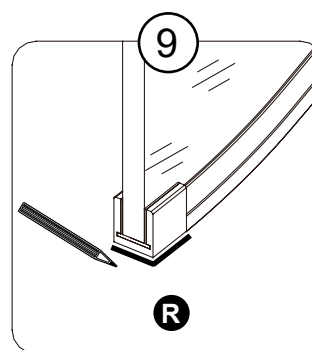
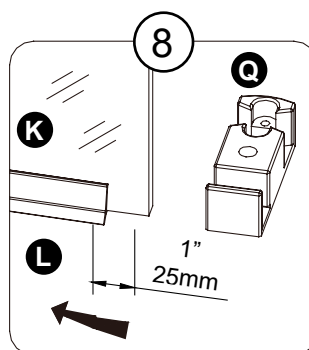
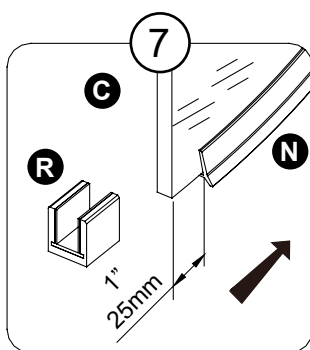
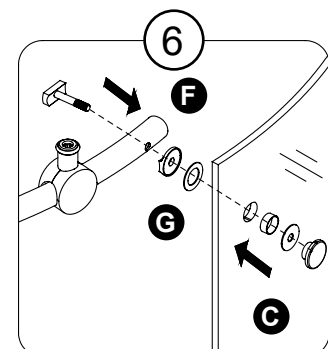
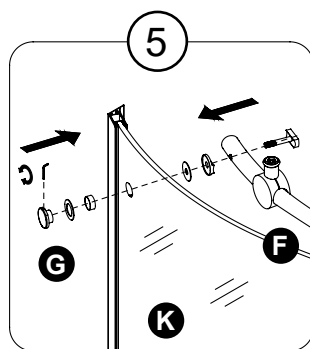
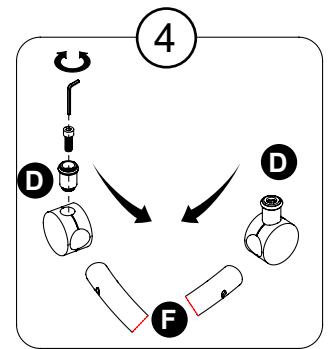
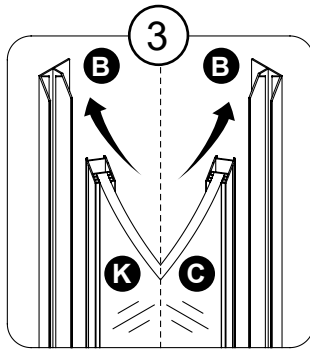
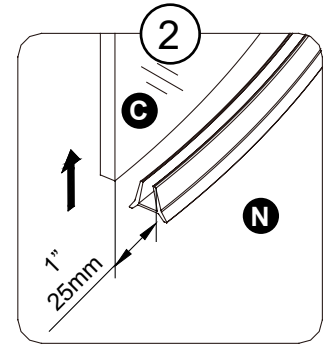
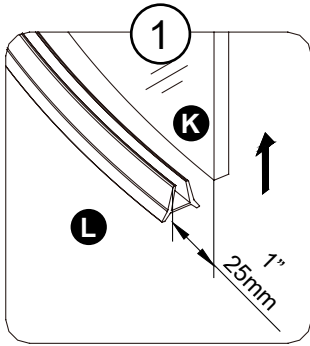
Consejos útiles:
¡Asegúrese de que el montante de soporte esté ubicado detrás del muro en seco, detrás de los rieles!



Consejos útiles:
¡No apriete excesivamente! Se podría cuartear las paredes de acrílico o el azulejo!

INSTALACIÓN DEL PANEL FIJO

- 1-2. Inserte las tiras de sellado inferior (N y L) del panel fijo en la base de los paneles fijos (C y K). Corte la parte sobrante con una cuchilla.
3. Inserte los paneles fijos (C y K) en los rieles metálicos (B). No lo apriete completamente ya que es posible que se requiera más ajustes.
4. Deslice los 2 retenedores (D) en la barra de soporte (F).
- 5-6. Monte la barra de soporte (F) sin apretar en paneles fijos (C y K) utilizando las abrazaderas (G) y nivélela.
- 7-8. Deslice suavemente la abrazadera de soporte (R) del panel fijo en la parte inferior del panel fijo (C) y la guía (Q) en la parte inferior del panel fijo (K) sin fijar ninguno. Asegúrese de que las empaquetaduras de plástico estén en la abrazadera (R) y la guía (Q) ya que éstas protegen los paneles de vidrio.
- 9-10. Marque las posiciones de la abrazadera de soporte (R) y la guía (Q).



INSTALACIÓN DEL PANEL FIJO

1-3. Retire completamente la barra de soporte (F) y los paneles fijos (C y K).

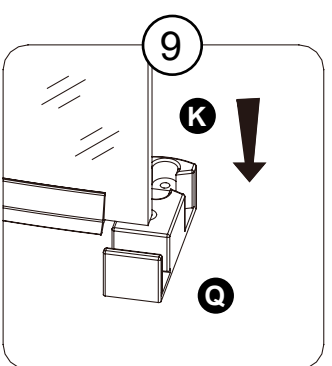
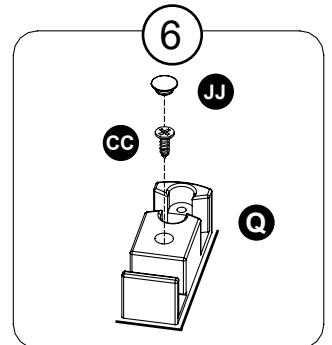
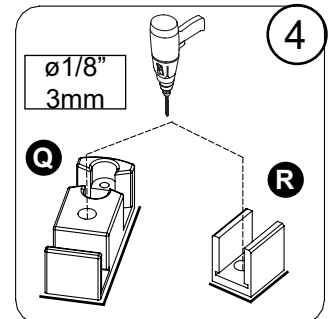
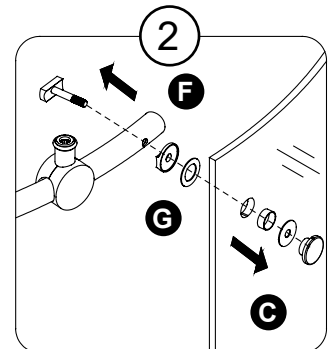
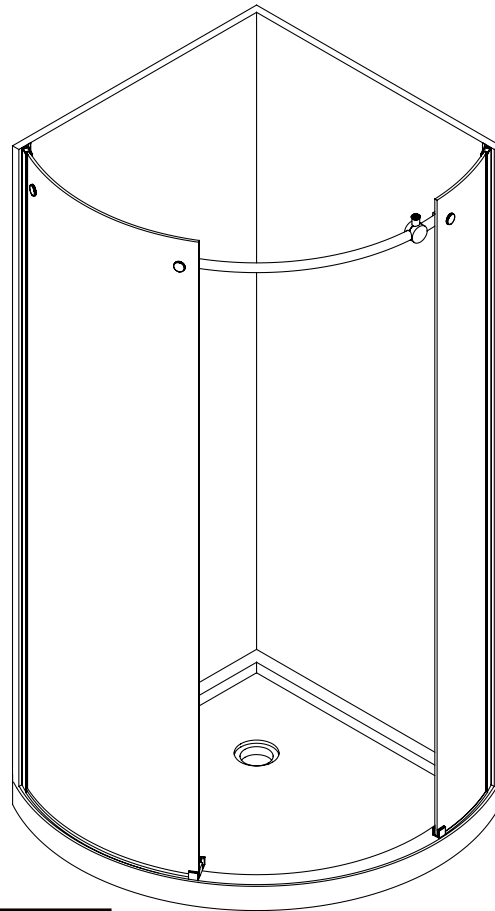
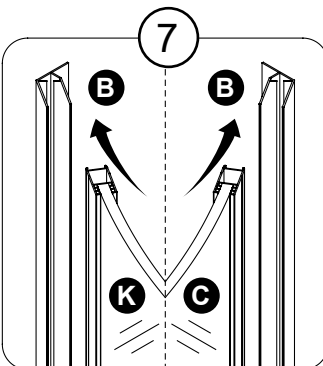
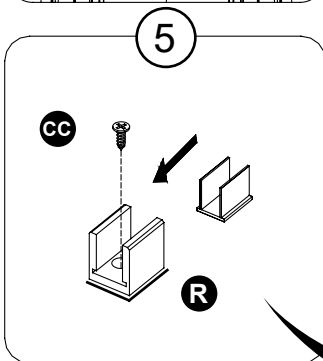
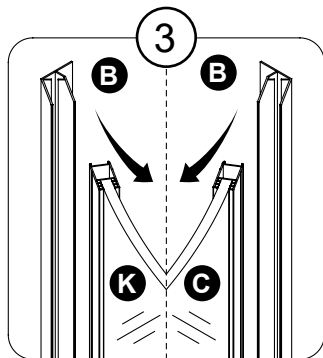
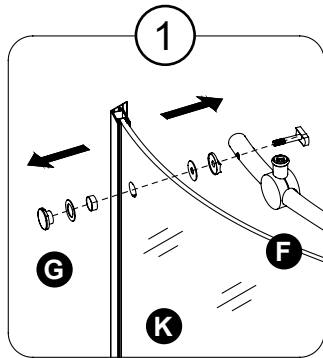
4. Retire las empaquetaduras de plástico de la abrazadera de soporte (R) y la guía (Q). Perfore los agujeros guía con una broca de $\varnothing 1/8"$ (3mm).

5-6. Fije la abrazadera (R) y la guía (Q) con el tornillo (CC), luego coloque nuevamente las abrazaderas de plástico. Cubra el tornillo de la guía (Q) con el tapón (JJ).

7. Vuelva a colocar los paneles fijos (C and K) en los 2 rieles (B).

Nota: Los rieles (B) le permiten ajustar la posición de los paneles fijos (C & K). Al ajustar la profundidad y/o al mover el panel fijo hacia un ligero ángulo se permite una alineación precisa con la puerta.

8-9. Vuelva a colocar los paneles fijos (C y K) en la abrazadera de soporte (R) y la guía (Q).

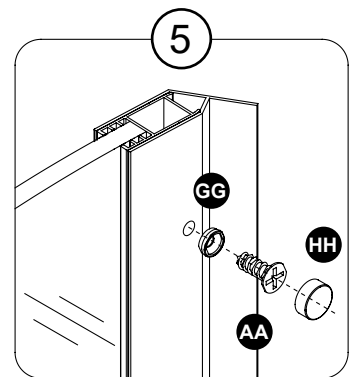
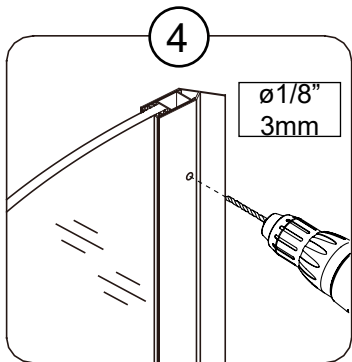
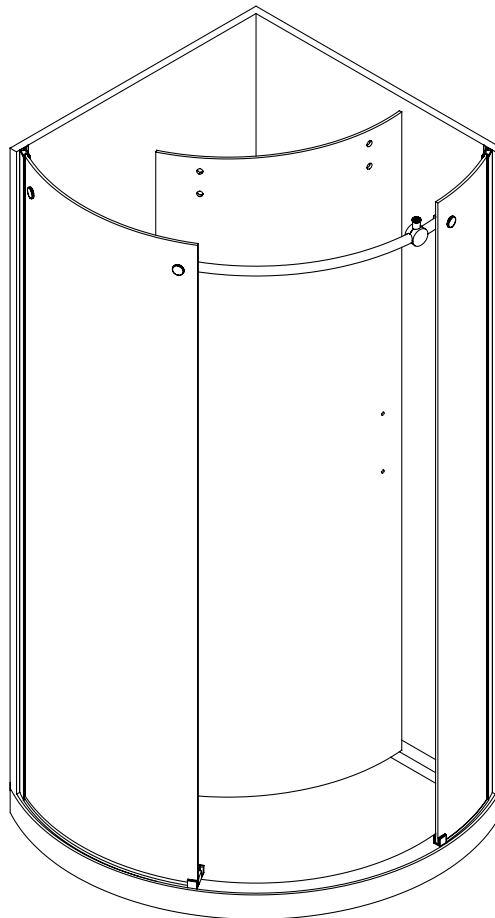
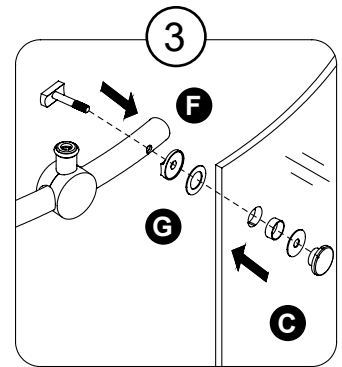
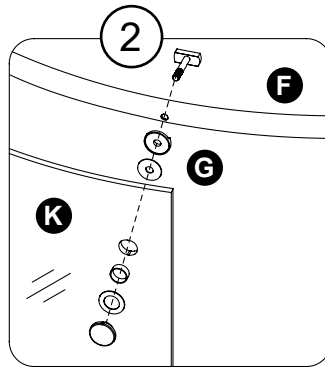
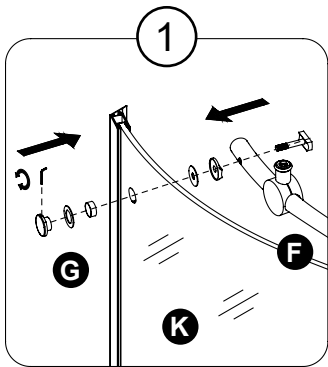


Consejos útiles
Para los pasos 5 y 6, agregue una gota de silicona en el agujero antes de atornillar.

INSTALACIÓN DE LA BARRA DE SOPORTE

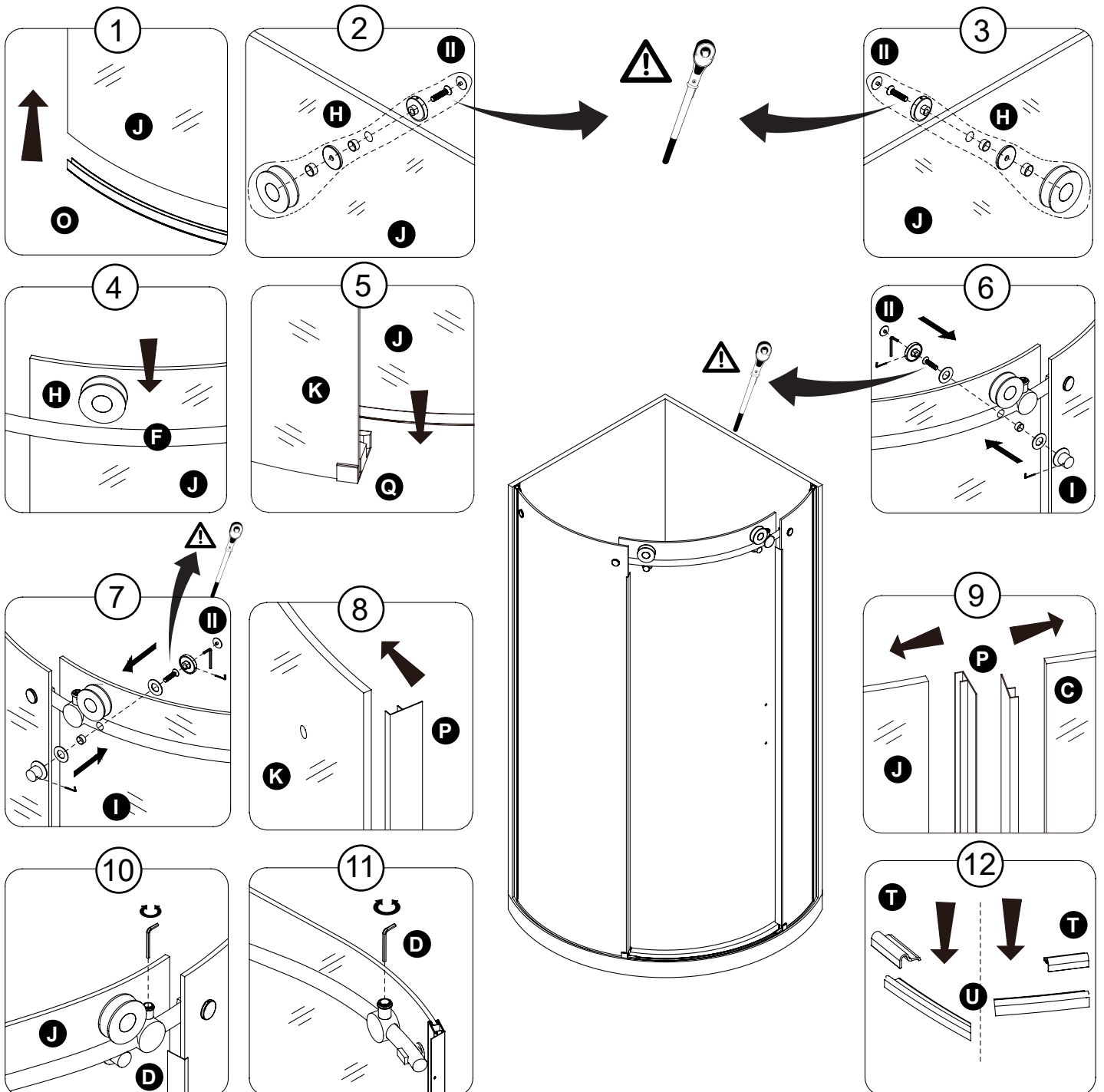
Coloque el panel (J) al interior de la ducha con el fin de facilitar las etapas posteriores.

- 1-3. Fije los paneles fijos (C y K) en la barra de soporte (F) utilizando las abrazaderas (G).
4. Perfore los 2 rieles (B) en 3 posiciones (arriba, centro y abajo) con una broca de $\varnothing 1/8''$ (3mm). Nivele los paneles (C y K).
5. Fije los 2 paneles fijos (C y K) con el accesorio (GG), el tornillo (AA) y el capuchón (HH).



INSTALACIÓN DEL PANEL DE LA PUERTA

1. Inserte la tira de sellado inferior (O) del panel de la puerta en la base del panel de la puerta (J) y corte la parte sobrante con una cuchilla.
- 2-3. Instale los 2 rodillos superiores (H) en el panel de la puerta (J). Utilice una llave de trinquete para apretar firmemente los pernos.
4. Cuelgue suavemente el panel de la puerta mediante sus 2 rodillos superiores (H) en la barra de soporte (F).
5. Coloque el panel de la puerta (J) en la guía de la puerta corrediza (Q).
- 6-7. Instale los 2 topes anti-saltos (I) en panel de la puerta (J). Utilice una llave de trinquete para apretar firmemente los pernos.
- 8-9. Instale las 3 tiras de sellado (P) de los paneles de vidrio.
- 10-11. Posicione los 2 retenedores de rodillos (D) para poder bloquear el panel de la puerta (J) para que no golpee la pared al abrirlo o cerrarlo. Utilice la llave Allen para fijar firmemente los retenedores al llegar a su posición final.
12. Utilizando silicona, instale el riel decorativo (U) en el panel delantero de la puerta. Deslice los capuchones decorativos (T) en el riel (U).



INSTALACIÓN DE LA MANIJA Y SELLADO

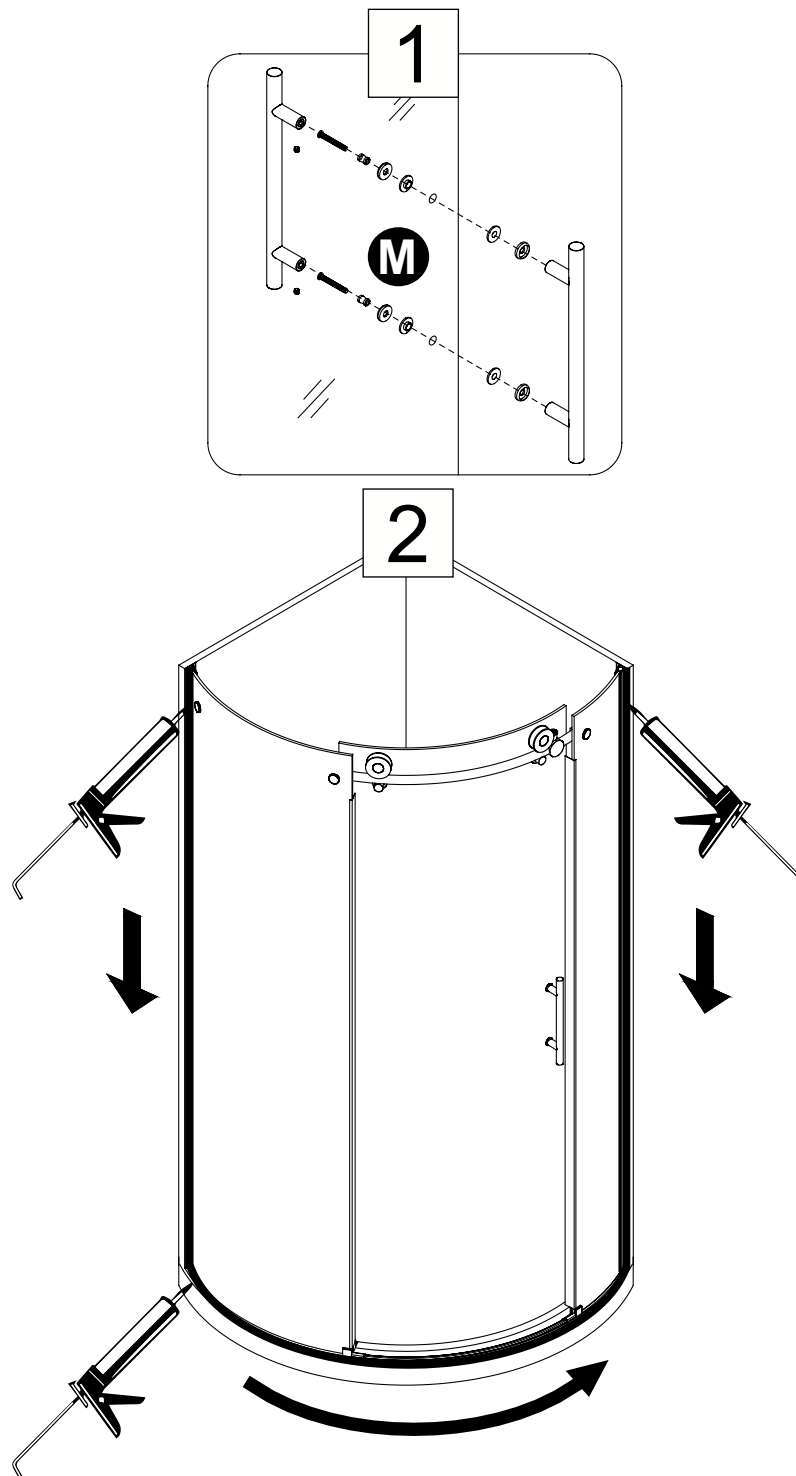
1. Instale la manija (M) de la puerta utilizando la llave Allen.

2. Asegúrese de que la puerta cierre firmemente y abra suavemente y que haya una conexión apretada entre el panel de vidrio y el riel al igual que con la barra se soporte.

Aplique silicona transparente resistente al agua alrededor del perímetro interno y externo de todos los componentes de la ducha (horizontalmente entre la parte inferior del panel de vidrio y la base, al igual que verticalmente (entre la pared, el riel y el panel de vidrio)).

Deje secar la silicona durante 24h.

La aplicación inadecuada de la silicona puede resultar en fugas durante el uso de la ducha.



OVE Decors ULC

Garantía LIMITADA de productos

OVE es un distribuidor de los siguientes productos:

- Puertas de ducha (periodo de garantía de 5 años).
- Superficies acrílicas (periodo de garantía de 5 contra formación de burbujas, grietas o desportilladuras en la superficie de acrílico).
- Estructura de cubierta de acrílico (periodo de garantía de 5 años contra la pérdida de agua a través del laminado de fibra de vidrio del cuerpo de acrílico).
- Accesorios de ducha (manijas, bisagras, clips de soporte de caucho, barras de soporte de metal y rieles murales) (periodo de garantía de 1 año contra defectos en materiales y mano de obra).

Garantía limitada: OVE le garantiza al comprador minorista original que dentro de un tiempo razonable después de la notificación de parte del comprador, OVE reparará o reemplazará el producto, o cualquier pieza o componente del producto cubierto, distribuido por OVE el cual, a la satisfacción de OVE, ha resultado defectuosos en mano de obra o materiales, y el cual ha fallado durante el uso normal y dentro del periodo de garantía. Esta Garantía limitada no se aplica a productos que han sido dañados, o que han fallado como resultado de causas distintas de defectos de fabricación (tales como pero sin limitarse a instalación inadecuada; falta de cuidado o mantenimiento o si éstos son inadecuados; exposición a los elementos incluyendo productos y ambientes corrosivos o agua; alteración; abuso o uso inapropiado. Esta garantía no cubre daños a acabados. La garantía comienza en la primera fecha en que un Producto es comprado por el cliente. Esta garantía se aplica exclusivamente a productos comprados y usados en aplicaciones no comerciales.

Procedimiento de reclamación de garantía: Para hacer una reclamación, sírvase llamar al **1-866-839-2888** para resolver el problema y comenzar el proceso de reclamación, o escribir al correo electrónico **infoovedecors@gmail.com**. Los productos pueden ser inspeccionados o evaluados por OVE y cualquier producto o componente que llegue a cumplir con los criterios de garantía expuestos arriba será reparado o reemplazado a discreción de OVE. Las piezas reemplazadas o reparadas serán enviadas sin costo alguno al cliente por vía terrestre únicamente. Cualquier método de envío acelerado será por cuenta del cliente.

EXONERACIÓN DE RESPONSABILIDAD Y EXCLUSIÓN DE GARANTÍAS: Esta garantía es considerada la exposición completa y exclusiva de los términos de todas las garantías limitadas ofrecidas por OVE.

Hasta donde lo permita la ley, fuera de la garantía expresa detallada en este instrumento, NO HAY GARANTÍAS, EXPRESAS NI IMPLÍCITAS, INCLUYENDO GARANTÍAS IMPLÍCITAS DE COMERCIALIDAD O CONVENIENCIA PARA UN FIN PARTICULAR, OFRECIDAS POR OVE.

Esta garantía le da derechos legales específicos. Es posible que también tenga derechos, que pueden variar según legislaciones estatales, provinciales o nacionales pertinentes, que no podrán ser sometidos a renuncia ni ser modificados por la exoneración de responsabilidad mencionada arriba. Excepto lo permitido, la exoneración de responsabilidad no está destinada a generar la renuncia, modificar, liberar o limitar la aplicabilidad de legislaciones preventivas estatales, provinciales o nacionales inconsistentes con los términos de esta Garantía limitada y Exoneración de responsabilidad. Sin embargo, hasta donde la ley lo permita, ninguna garantía implícita de comercialidad o conveniencia es considerada bajo la presente garantía. No obstante la Exoneración de responsabilidad, si cualquier garantía implícita es impuesta por la operación de la ley, hasta donde se permita, la duración de dichas garantías implícitas está limitada al término más corto de la garantía expresa o el estatuto aplicable de limitaciones.

Los Productos mencionados arriba están destinados a ser instalados y utilizados para fines personales y consumo residencial. El uso del producto para cualquier otro fin, como fines comerciales anulará esta garantía. La Garantía limitada es aplicada únicamente a los Productos detallados en esta garantía, y no se da ninguna garantía a productos no distribuidos por OVE. Esta garantía es aplicable únicamente al primer comprador minorista.

Transferibilidad: Esta garantía no es transferible.

LIMITACIÓN Y EXCLUSIÓN DE REMEDIOS Y DAÑOS: La única responsabilidad de OVE bajo esta Garantía limitada será la reparar o reemplazar, a su discreción, cualquier Producto o componente defectuoso. El comprador acepta que éste es el remedio único y exclusivo bajo esta Garantía limitada. OVE no será responsable de ningún daño incidental, resultante, especial o indirecto, incluyendo pérdida de uso como resultado de cualquier defecto de fabricación en el Producto. OVE no será responsable de mano de obra, ni de cualquier otro costo asociado al retiro o a la instalación de piezas bajo garantía. Algunas legislaciones estatales, provinciales o nacionales no permiten la exclusión de daños incidentales o resultantes, entonces puede que esta limitación no se aplique a usted.

Modificación de productos: OVE se reserva el derecho de cambiar, modificar o mejorar los Productos sin la obligación de incorporar dichos cambios en Productos previamente vendidos o instalados.

Autoridad y modificación: El vendedor minorista no es agente de OVE y no está autorizado a cambiar o modificar los términos de esta Garantía limitada. Además, el vendedor minorista no podrá obligar a OVE ni hacer declaraciones o promesas respecto al Producto, que puedan comprometer a OVE.

MANTENIMIENTO

Para mantenimiento diario, utilice un paño húmedo y un limpiador líquido suave.

Nunca utilice abrasivos o limpiadores que contenga acetona, cloro o blanqueadores fuertes, espátulas o cepillos de cerdas metálicas, ni objetos o productos que puedan raspar o deslucir las superficies.

Utilice un trinquete para apretar firmemente a cualquier pernos utilizados para soportar los paneles de vidrio fijos o panel de puertas (pernos de soporte pueden soportar hasta 250 lbf * in de torque).

Compruebe el tornillo de la rueda cada 6 meses y apriete de nuevo si es necesario.