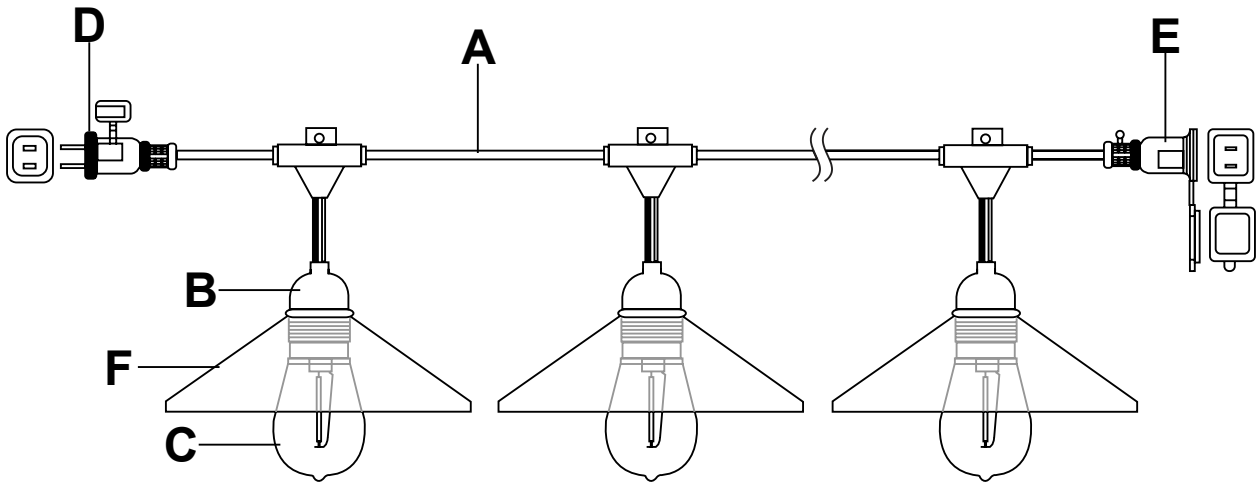


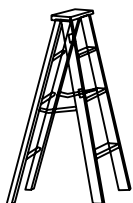
Questions, problems, need help?
Call our customer service department at
1-866-839-2888, 8 a.m. - 5 p.m., EST, Monday - Friday

PACKAGE CONTENT

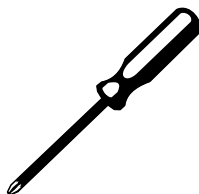


PART #	DESCRIPTION	QUANTITY	REPLACEMENT PART AVAILABILITY
A	Power Cord	1	Not Available
B	Socket Assembly	12	Not Available
C	LED Bulb	12 +1 replacement	Replacement Available (call customer service 1-886-839-2888)
D	Male Socket	1	Not Available
E	Female Socket	1	Not Available
F	Plastic Shade (with lock nut)	12	Not Available

TOOLS REQUIRED (not supplied)



Ladder



Phillips Screwdriver



Safety goggle



SAFETY INFORMATION



CAUTION

Please carefully read the following important safety information before handling or installing this light. There is a risk of serious injury while handling this product. To minimize these risks, please note:

- Before starting the installation of this light or the removal of a previous light, disconnect the power by unplugging the transformer.
- When products are used in outdoor applications, connect the product to a Ground Fault Circuit Interrupting (GFCI) outlet. If one is not provided, contact a qualified electrician for proper installation.
- Do not mount or place near gas or electric heaters, fireplace, candles or other similar sources of heat.
- Do not secure the wiring of the product with staples or nails, or place on sharp hooks or nails.
- Do not let light bulbs rest on the supply cord or on any wire.
- Unplug the product when leaving the house, when retiring for the night, or if left unattended.
- This is an electric product – not a toy! To avoid risk of fire, burns, personal injury and electric shock it should not be played with or placed where small children can reach it.
- Do not use this product for other than its intended use.
- Do not hang ornaments or other objects from cord, wire or light string.
- Do not close doors or windows on the product or extension cords as this may damage the wire insulation.
- Carefully remove product from packaging and keep packaging until installation is complete.
- Do not cover the product with cloth, paper or any material not part of the product when in use.
- Read and follow all instructions that are on the product or provided with the product.
- Keep this installation manual for future reference.



SAFETY NOTICE



NOTICE

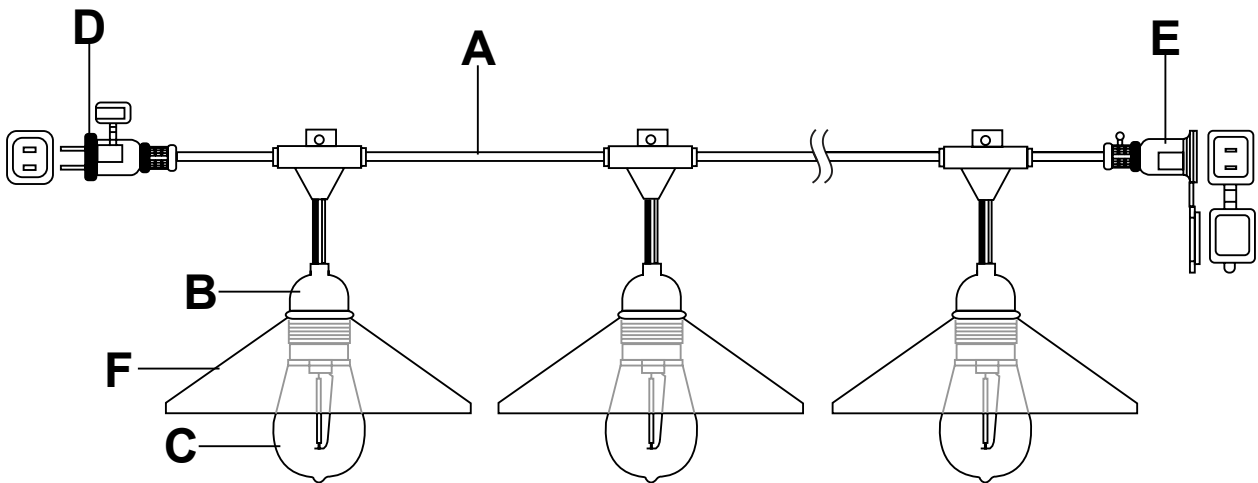
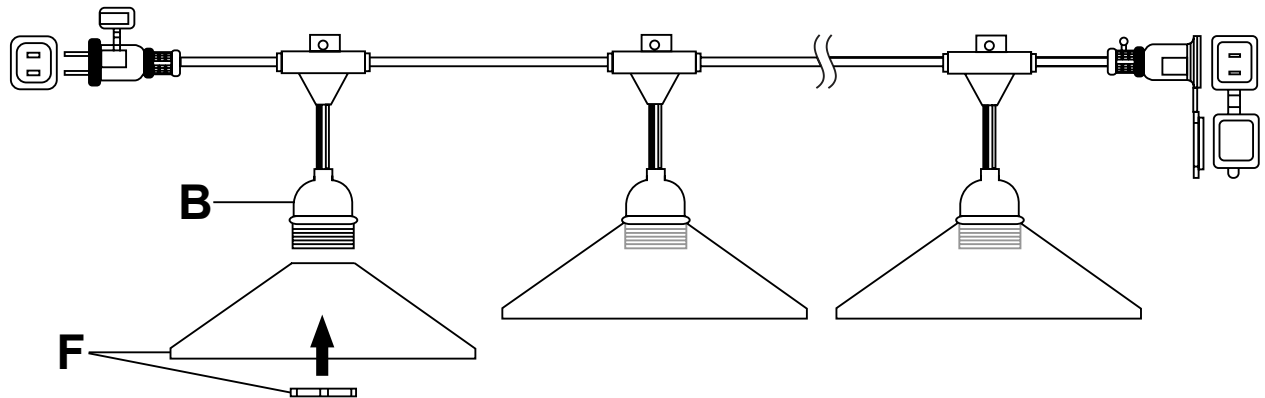
Any modification or alteration from what is specified in this instruction manual will void any and all warranty on this product.

PATRIOT LIGHTING® is not responsible for any damage to the unit or personal property caused by improper installation. If you disregard instructional warnings, you will void your warranty and possibly deal with damage.

PREPARATION

Before beginning assembly, installation or operation of product, make sure all parts are present. Compare parts with package contents list and diagram on previous page. If any part is missing or damaged, do not attempt to assemble, install or operate the product. Contact customer service for further assistance at 1-866-839-2888, 8am – 5pm EST, Monday-Friday.

- 1.1.* If you are connecting multiple string light sets in series (up to 60 sets), connect the male socket (D) of the next light set to the current set's female socket (E).
 - 1.2. Install the plastic shades (F) by screwing lock nut to the socket assembly (B).
 - 1.3. Carefully install the bulbs (C) into the light.
 - 1.4. Install the screws or hooks (sold separately) used for hanging the string lights onto a solid and safe surface.
 - 1.5. Secure socket assembly (B) to the screws or hooks installed.
 - 1.6. Plug male socket (D) to the power outlet and check LED bulbs (C) to ensure the string light works properly.
- *Note: If you are connecting more than one set of string light together in series, it is normal that the bulbs are slightly dimmer than usual.



Patriot Lighting products will remain beautiful for many years if you properly care for them. Patriot Lighting does not recommend the use of harsh abrasive cleaners on any of its products. Harsh cleaners will damage the finish of your product.

To Replace Bulb:

1. Disconnect the power by unplugging the transformer.
2. Carefully unscrew the bulb from the socket counterclockwise.
3. Replace with new bulb and securely install into the socket by rotating clockwise.

We suggest to use the same bulb as the original: 1W LED bulb with E26 base.

To clean the string light, unplug and wipe the string light with a damp, non-abrasive cloth.

FIVE-YEAR LIMITED WARRANTY: If, during normal use, this PATRIOT LIGHTING® lighting fixture breaks or fails due to a defect in material and workmanship within five (5) years from the date of original purchase, simply bring this lighting fixture with the original sales receipt back to your nearest MENARDS® retail store. At its discretion, PATRIOT LIGHTING® agrees to have the product or any defective part(s) repaired or replaced with the same or similar PATRIOT LIGHTING® product or part free of charge, within the stated warranty period, when returned by the original purchaser with original sales receipt. This warranty; (1) excludes expendable parts including but not limited to light bulbs; (2) does not cover damage that has resulted from abuse or misuse; and (3) does not cover any losses, labor, injuries to persons/property or costs, This warranty does give you specific legal rights and you may have other rights, which vary from state to state.