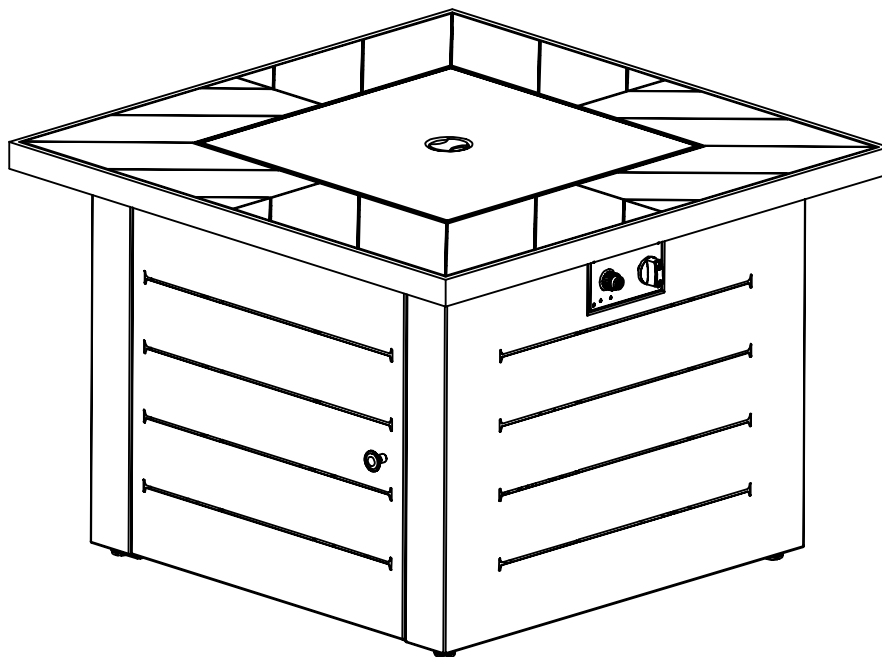




## Owner's Manual Outdoor Gas Fire Pit

Manufacturer: Xiamen Rayten Industries Co.,Ltd.  
Add: # 867-1 Xike Street, Tongan Area, Xiamen, Fujian, China

**IMPORTANT, RETAIN FOR FUTURE REFERENCE:  
READ CAREFULLY**



This item is intended for outdoor domestic use only. Not for commercial use.

**HEAD OFFICE**  
2800, rue Étienne-Lenoir, Laval  
Québec H7R 0A3 Canada



### Questions, problems, missing parts?

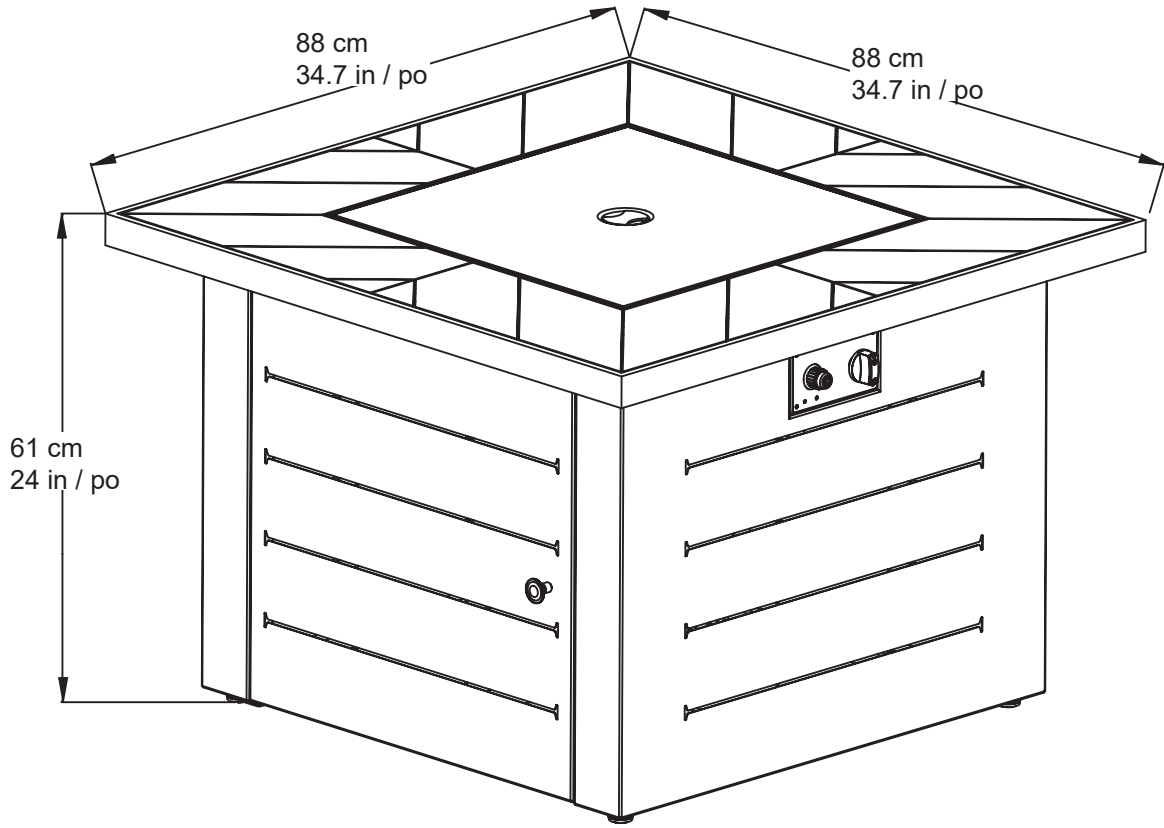
Before returning to your retailer, call our customer service department at

**1-866-839-2888**

8 a.m. - 5 p.m., EST, Monday - Friday  
(Canada and United States only)

English and French speaking representatives available

MADE IN CHINA



Please read and understand this entire manual before attempting to assemble, operate or install the product. This appliance has been tested to and complies with the ANSI Z21.97-2017, Outdoor Decorative Gas Appliances. When connecting to a fixed piping system, the installation must conform to local codes or in the absence of local codes, to the National Fuel Gas Code, ANSI Z223.1.NFPA 54; National Fuel Gas Code; National Gas and Propane Installation Code, CSA B149.1; or Propane storage and Handling Code, CSA B149.2, as applicable. This manual contains important information about the assembly, operation and maintenance of this fire pit. Keep this manual for future reference and to educate new users of this product. This manual should be read in conjunction with the labeling on the product. Safety precautions are essential when any mechanical or propane fueled equipment is involved. These precautions are necessary when using, storing, and servicing. Using this equipment with the respect and caution demanded will reduce the possibilities of personal injury or property damage. The following symbols shown below are used extensively throughout this manual. Always heed these precautions, as they are essential when using any mechanical or fueled equipment.

## **⚠ DANGER**

If you smell gas:

- Shut off gas to the appliance.
- Extinguish any open flame.
- If odour continues, keep away from the appliance and immediately call your gas supplier or fire department.

## **⚠ WARNING**

Do not store or use gasoline, or other flammable vapours and liquids in the vicinity of this or any other appliance. An LP-cylinder not connected for use shall not be stored in the vicinity of this or any other appliance.

## **⚠ WARNING**

**For Outdoor Use Only.**

## **⚠ DANGER**

### **⚠ DANGER**



### **CARBON MONOXIDE HAZARD**

This appliance can produce carbon monoxide which has no odour. Using it in an enclosed space can kill you. Never use this appliance in an enclosed space such as a camper, tent or home.

## **⚠ WARNING**

Improper installation, adjustment, alteration, service or maintenance can cause property damage, injury or death. Read the installation, operation and maintenance instructions thoroughly before installing or servicing this equipment.

**⚠ DANGER**

**DANGER** indicates an imminently hazardous situation which, if not avoided, will result in death or serious injury.

Failure to comply with the precautions and instructions provided with this fire pit can result in death, serious bodily injury and property loss or damage from hazards of fire, explosion, burn, asphyxiation, and/or carbon monoxide poisoning. Only persons who can understand and follow the instructions should use or service this fire pit.

**⚠ DANGER**

- **EXPLOSION - FIRE HAZARD**
- Keep solid combustibles, such as building materials, paper or cardboard, a safe distance away from the fire pit as recommended by the instructions.
- Provide adequate clearances around air openings into the combustion chamber.
- Never use the fire pit in spaces which do or may contain volatile or airborne combustibles, or products such as gasoline, solvents, paint thinner, dust particles or unknown chemicals
- During operation, this product can be a source of ignition. Keep fire pit area clear and free from combustible materials, gasoline, paint thinner, cleaning solvents and other flammable vapours and liquids. Do not use fire pit in areas with high dust content. Minimum fire pit clearances from combustible materials: 122 cm (4 ft) from the sides and 122 cm (4 ft) from the rear, 152 cm (5 ft) feet from ceiling.

**⚠ WARNING**

Certain materials or items, when stored under the fire pit, will be subjected to radiant heat and could be seriously damaged.

Alert children and adults to the hazards of high surface temperatures. Stay away from these surfaces to avoid burning skin or igniting clothing.

Carefully supervise young children when in the vicinity of the fire pit.

Do not hang clothing or any other flammable materials from the fire pit, or place on or near the fire pit.

Replace any guard or protective device removed for servicing the appliance prior to placing back in service. Installation and repair should be done by a qualified service person. The fire pit should be inspected before use and annually by a qualified service person. More frequent cleaning may be required as necessary. It is imperative that the control compartment, burners, and circulating air passageway of the appliance be kept clean.

**⚠ WARNING**

- This product is fueled by propane gas. Propane gas is invisible, odourless, and flammable. An odourant is normally added to help detect leaks and can be described as a “rotten egg” smell. The odourant can fade over time so leaking gas is not always detectable by smell alone.
- Propane gas is heavier than air and leaking propane will sink to the lowest level possible. It can ignite by ignition sources including matches, lighters, sparks or open flames of any kind many feet away from the original leak. Use only propane gas set up for vapor withdrawal.
- Store or use propane gas in compliance with local ordinances and codes or with ANSI/NFPA 58. Turn off propane when not in use.

**! WARNING**

We cannot foresee every use which may be made of our fire pit.

Check with your local fire safety authority if you have questions about fire pit use.

Other standards govern the use of fuel gases and heat producing products for specific uses. Your local authorities can advise you about these.

If no local codes exist, follow National Fuel Gas Code, ANSI Z223.1. In Canada, installation must conform to local codes. If no local codes exist, follow the current National standards of CANADA CAN/CGA-B 149.2.

**! DANGER**

Do not store or use gasoline or other flammable vapours and liquids in the vicinity of this or any other appliance. An LP-cylinder not connected for use shall not be stored in the vicinity of this or any other appliance.

Never leave fire pit unattended when hot or in use.

Keep out of reach of children.

**! WARNING**

Improper installation, adjustment, alteration, service or maintenance can cause property damage, injury or death. Read the installation, operation and maintenance instructions thoroughly before installing or servicing this equipment.

**! DANGER****CARBON MONOXIDE HAZARD**

This fire pit is a combustion appliance. All combustion appliances produce carbon monoxide (CO) during the combustion process. This product is designed to produce extremely minute, non-hazardous amounts of CO if used and maintained in accordance with all warnings and instructions. Do not block air flow into or out of the fire pit. Carbon Monoxide (CO) poisoning produces flu-like symptoms, watery eyes, headaches, dizziness, fatigue and possibly death. You can't see it and you can't smell it. It's an invisible killer. If these symptoms are present during operation of this product get fresh air immediately!

For outdoor use only.

Never use inside house, or other unventilated or enclosed areas.

This fire pit consumes air (oxygen). Do not use in unventilated or enclosed areas to avoid endangering your life.

**! WARNING**

Don't burn solid fuels in this appliance

## Operation Checklist

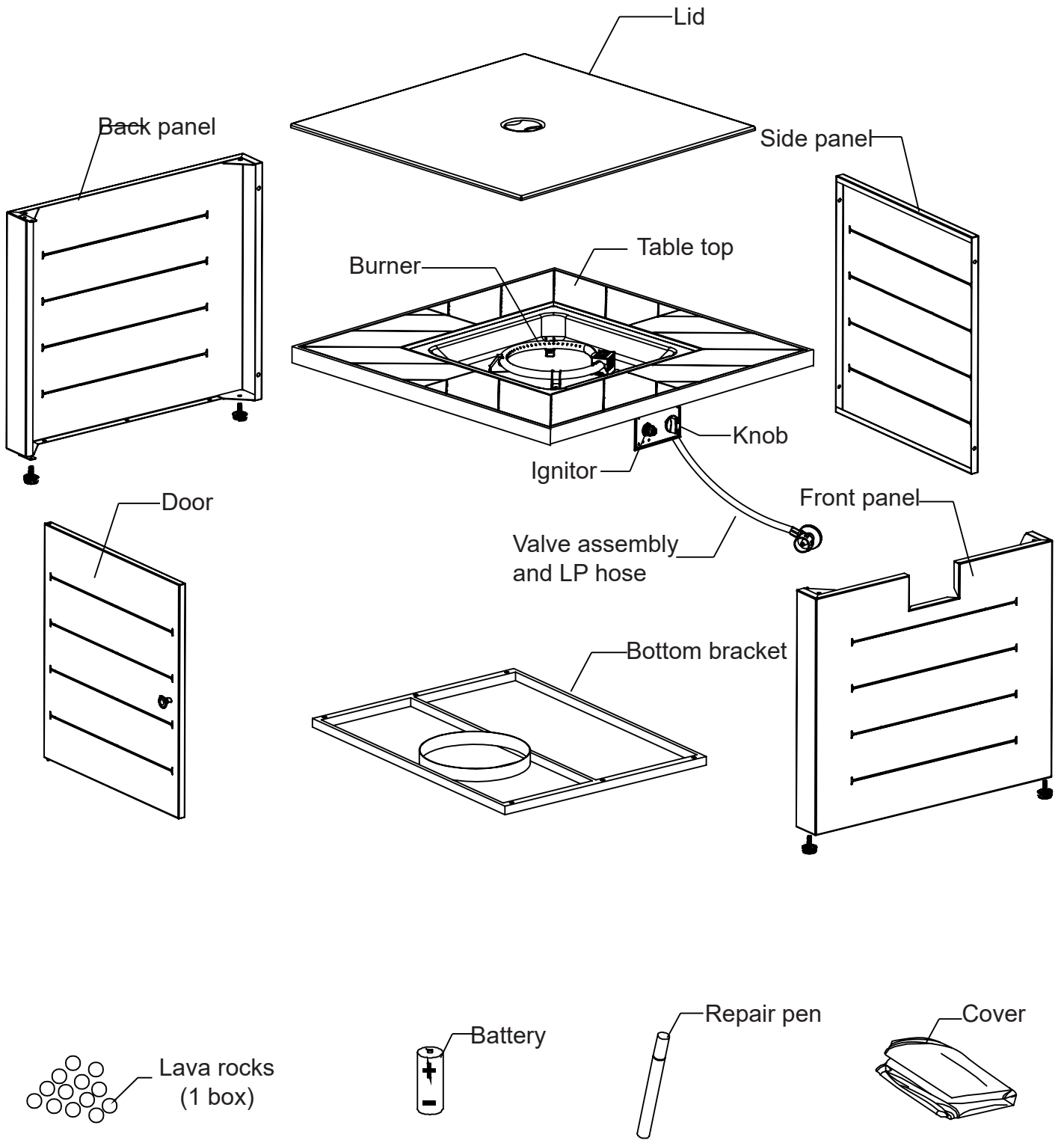
For a safe and pleasurable heating experience, perform this check before each use.

### Before Operating:

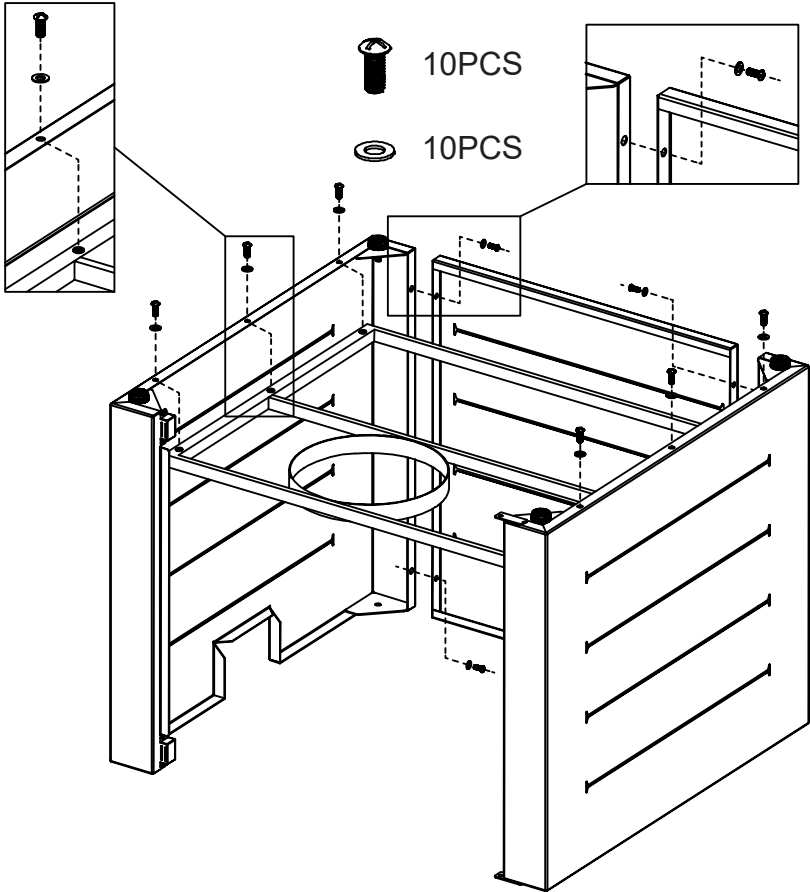
1. I am familiar with the entire owner's manual and understand all precautions noted.
2. All components are properly assembled, intact and operable.
3. No alterations have been made.
4. All gas connections are secure and do not leak.
5. Wind velocity is below 16 km/h (10 mph).
6. Unit will operate at reduced efficiency below 4.44°C /40°F
7. Fire pit is outdoors (outside any enclosure).
8. There is adequate fresh air ventilation.
9. Fire pit is away from gasoline or other flammable liquids or vapours.
10. Fire pit is away from windows, air intake openings, sprinklers and other water sources.
11. Fire pit is at least 122 cm (48 in) on rear and at least 122 cm (48 in) on sides from combustible materials.
12. Fire pit is on a hard and level surface.
13. There are no signs of spider or insect nests.
14. All burner passages are clear.
15. All air circulation passages are clear.
16. Children and adults should be alerted to the hazards of high surface temperatures and should keep away to avoid burns or clothing ignition.
17. Young children should be carefully supervised when they are in the area of the fire pit.
18. Clothing or other protective material should not be hung from the fire pit, or placed on or near fire pit.
19. Any guard or other protective device removed for servicing the fire pit must be replaced prior to operating the fire pit.
20. Installation and repair should be done by a qualified service person. The fire pit should be inspected before use and at least annually by a qualified service person.
21. More frequent cleaning may be required as necessary. It is imperative that control burner and circulating air passageways of the fire pit be kept clean.
22. Do not use this appliance if any part has been under water. Immediately call a qualified service technician to inspect the appliance and to replace any part of the control system and any gas control that has been under water.

### After Operation

1. Gas control is in OFF position.
2. Gas tank valve is OFF.
3. LP/NG is disconnected.

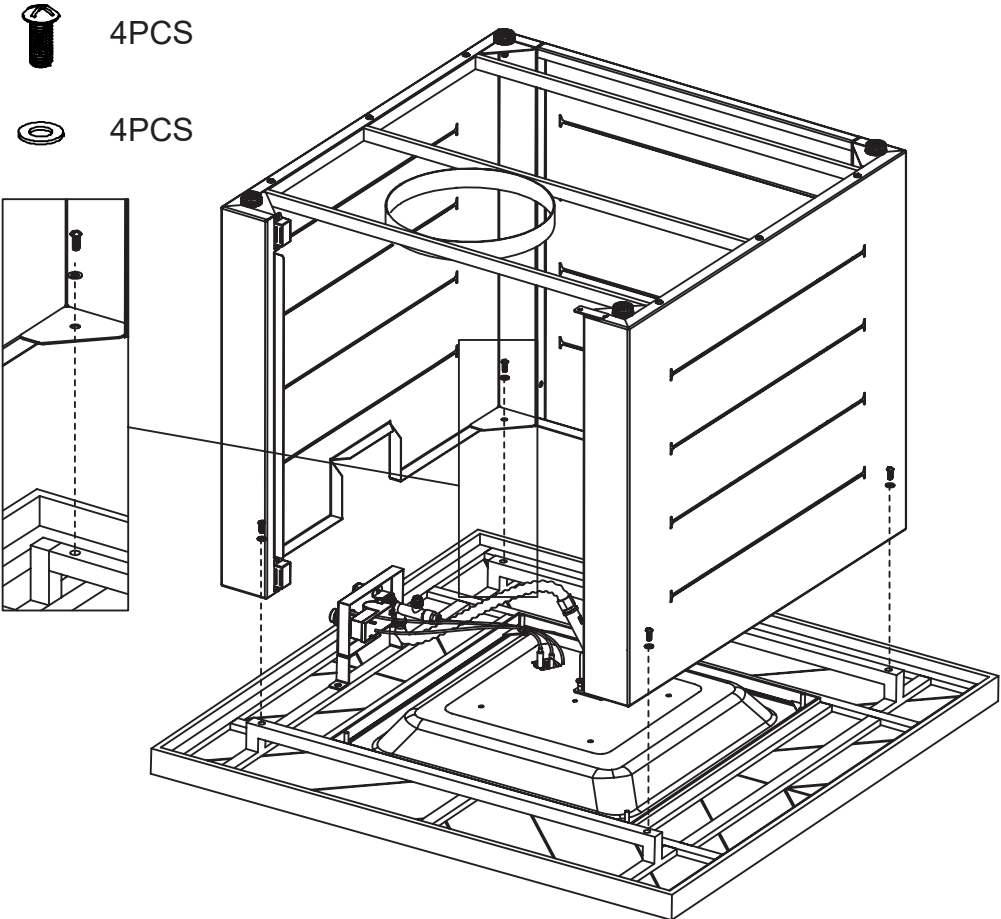


Step 1



For easier assembly and to avoid product damages, tighten all screws only once the item is fully assembled.

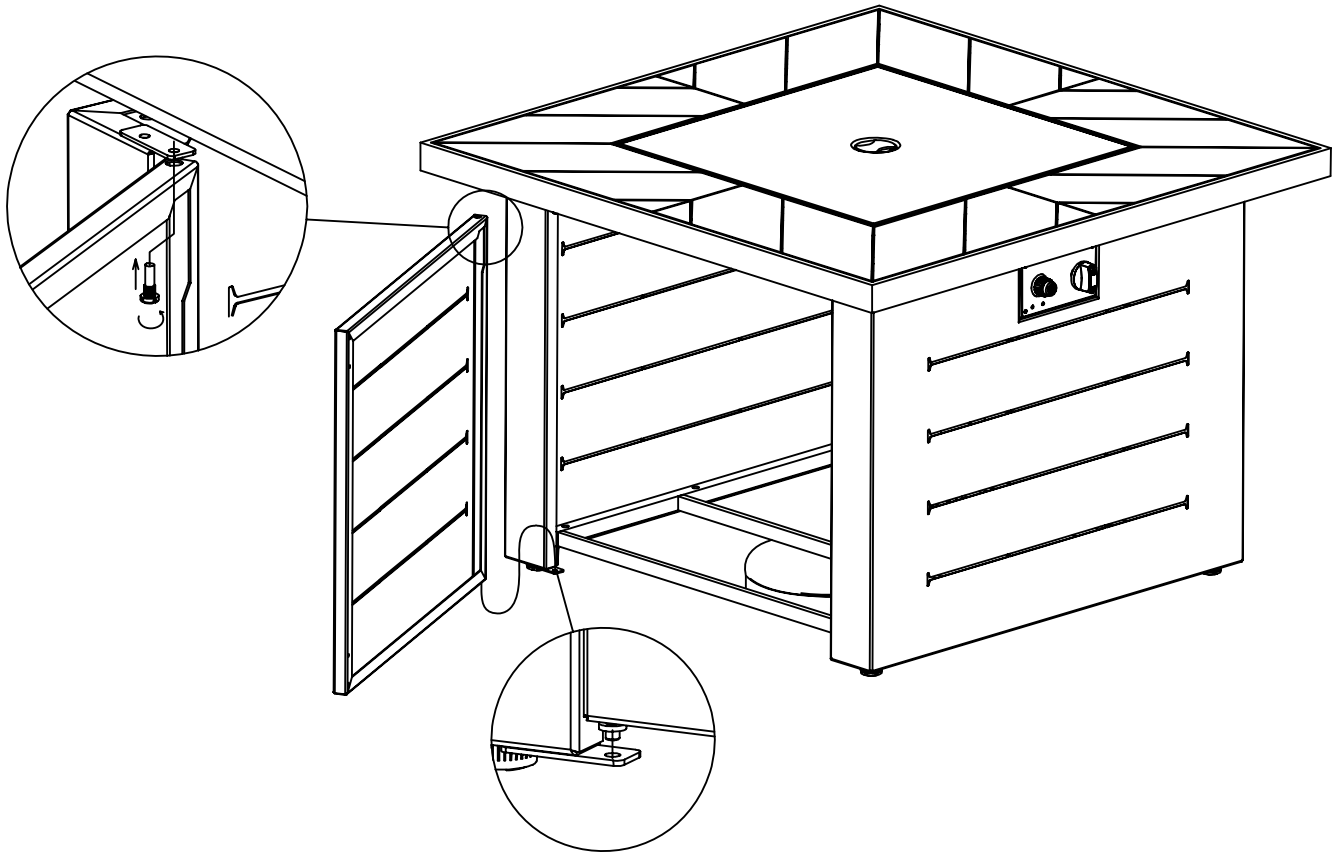
Step 2



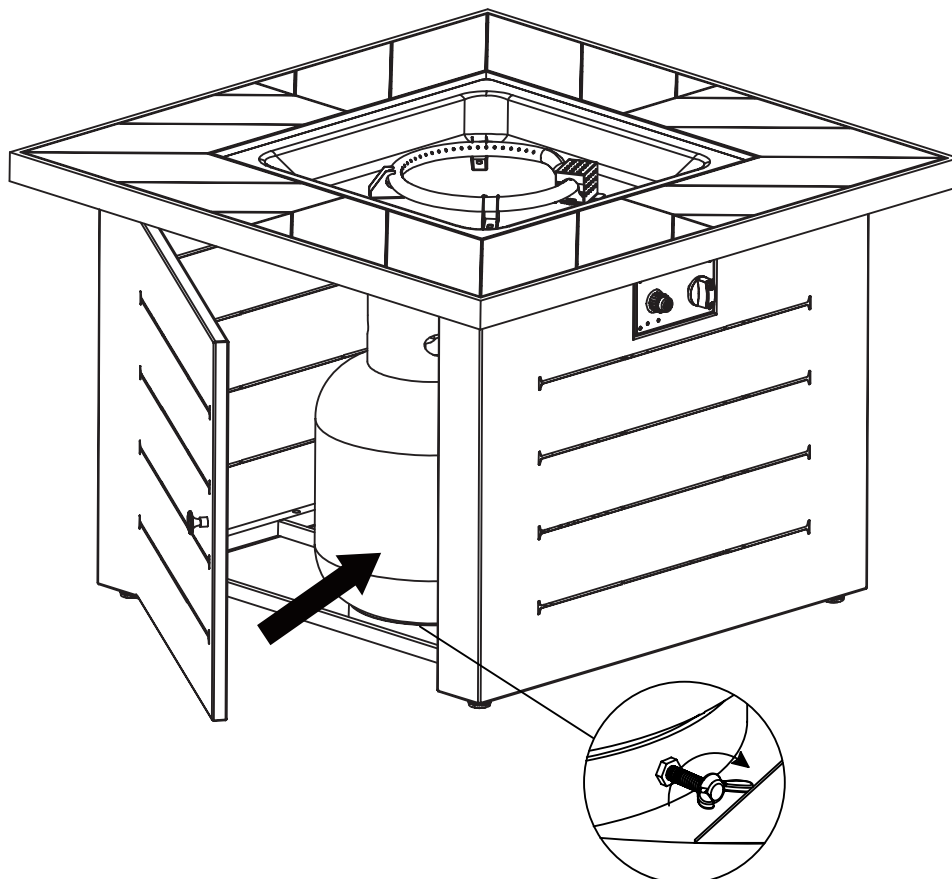


**Step 3**

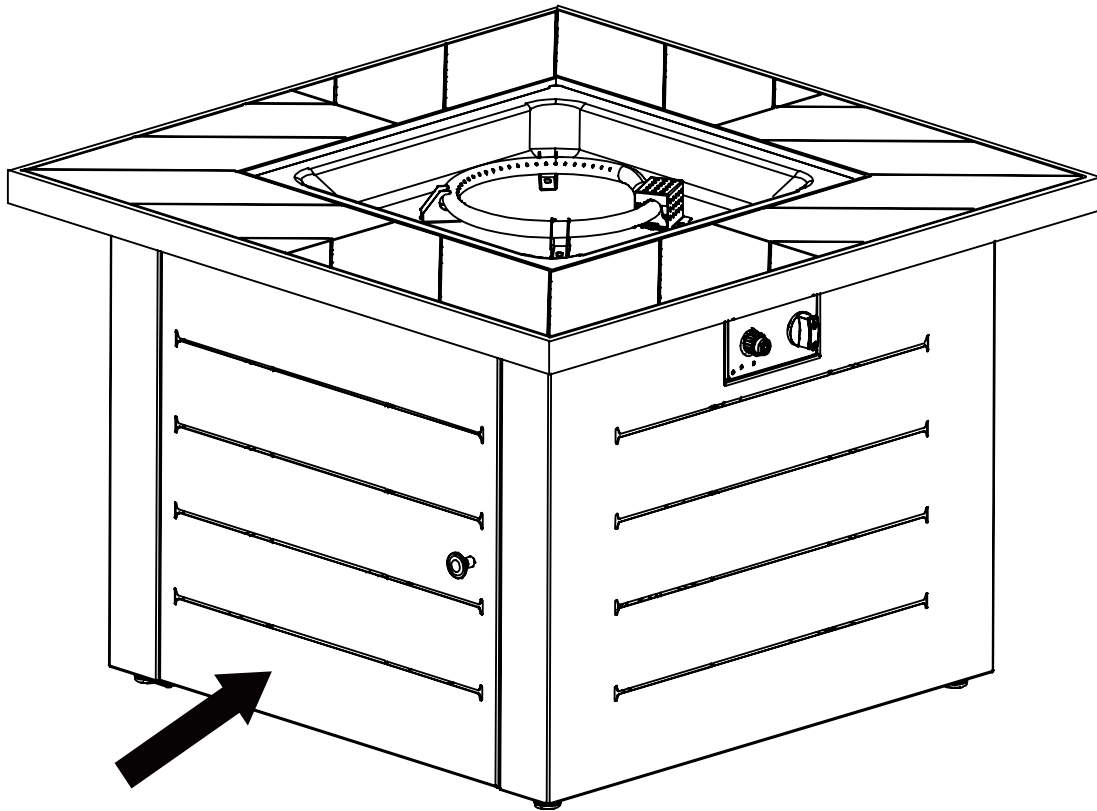
For easier assembly and to avoid product damages, tighten all screws only once the item is fully assembled.



**Step 4**



Step 5

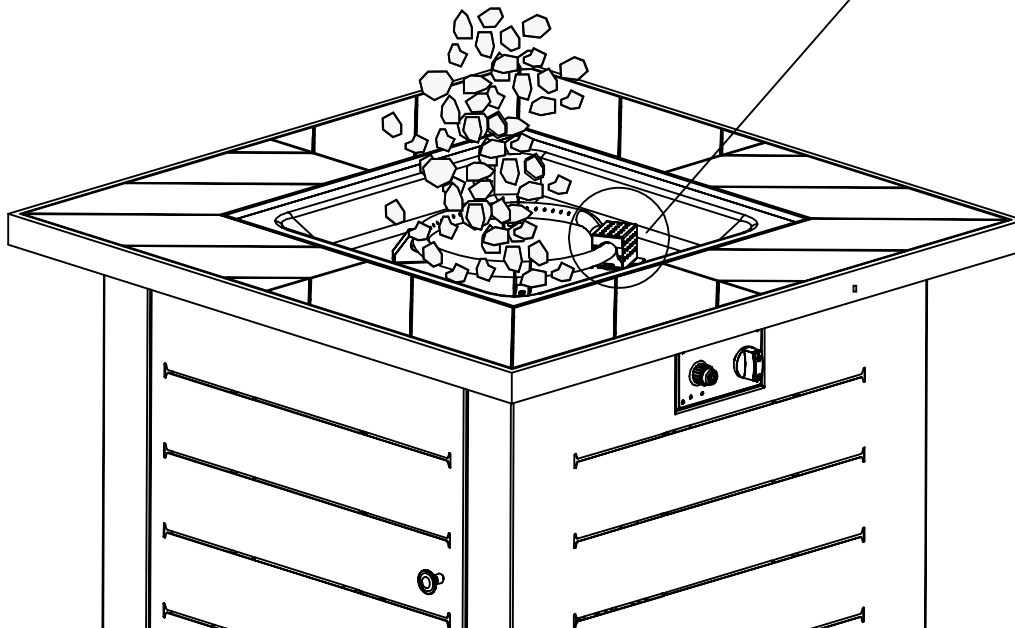
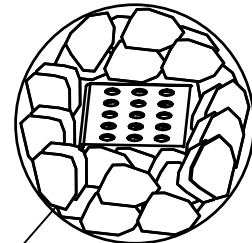


Step 6



**WARNING:**

To ensure proper function, the guard on this burner should be free of Lava rock at all times



**• Connecting LP Gas Tank**

Before connecting, be sure that there is no debris caught in the head of the LP gas tank, head of the regulator valve or in the head of the burner and burner ports.

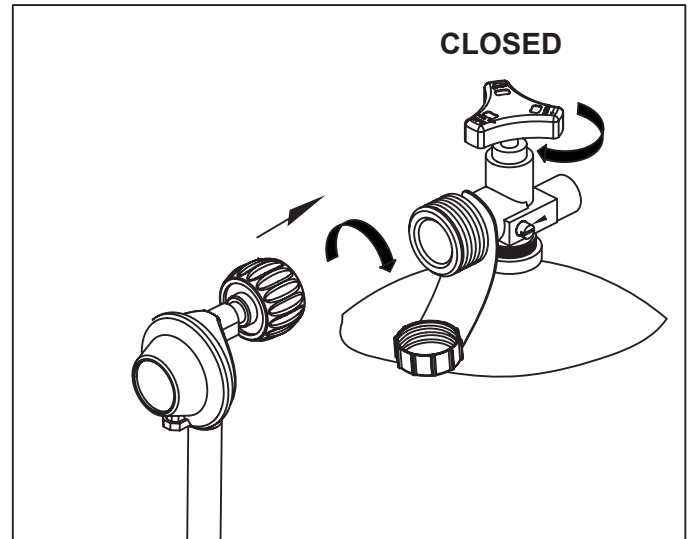
Connect regulator/hose assembly to tank by turning knob clockwise.

**• Disconnecting LP Gas Tank**

Before disconnecting make sure the LP gas tank valve is "CLOSED."

Disconnect regulator/hose assembly from LP gas tank by turning knob counterclockwise until it is loose.

Caution: LP gas tank must be properly disconnected and removed prior to moving this pit.

**Type of gas: LPG-Propane Gas**

Suitable LP gas tank size for this appliance is 20IB (9.1KG)

Do not fill the LP gas tank with more than 80% liquid gas

The inlet gas supply pressure for the purpose of input adjustment pressure:

LPG-Propane 28cm (11 in) w.c. (2.74kPa)

The appliance must be isolated from the gas supply piping system by closing its individual manual shut off valve during any pressure testing of the gas supply piping system at test pressures equal to or less than 1/2psi (3.5kPa)

The LP-gas supply cylinder to be used must be:

•Constructed and marked in accordance with the U.S. Department of Transportation (D.O.T.) Specifications for LP-Gas Cylinders.

•Provided with a listed overfilling prevention device, and provided with a cylinder connection device compatible with the connection for the appliance.

**WARNING: Make sure LP gas tank valve is closed. Close by turning valve clockwise.**

Place the LP gas tank upright into the tank tray and secure the tank by screw.

**WARNING:** Before using this outdoor fire pit, make sure you have read, understand and are following all information provided in the Dangers and Warnings. Failure to follow those instructions can cause death, serious injury or property damage.

**⚠ WARNING** Never use your fire pit without leak testing all gas connections, hoses and propane tank.

**⚠ DANGER** To prevent fire or explosion hazard:

- DO NOT smoke or permit ignition sources in the area while conducting a leak test.
- Perform test OUTDOORS in a well-ventilated area that is protected from the wind.
- Never perform a leak test with a match or open flame.
- Never perform a leak test while the fire pit is in use or while the fire pit is still hot.

#### **WHEN TO PERFORM A LEAK TEST:**

- After assembling your fire pit and before lighting for the first time, even if purchased fully-assembled.
- Every time the LP gas cylinder is refilled, exchanged or if any of the gas components are disconnected or replaced.
- Any time your fire pit has been moved.
- At least once per year or if your fire pit has not been used for more than 60 days.

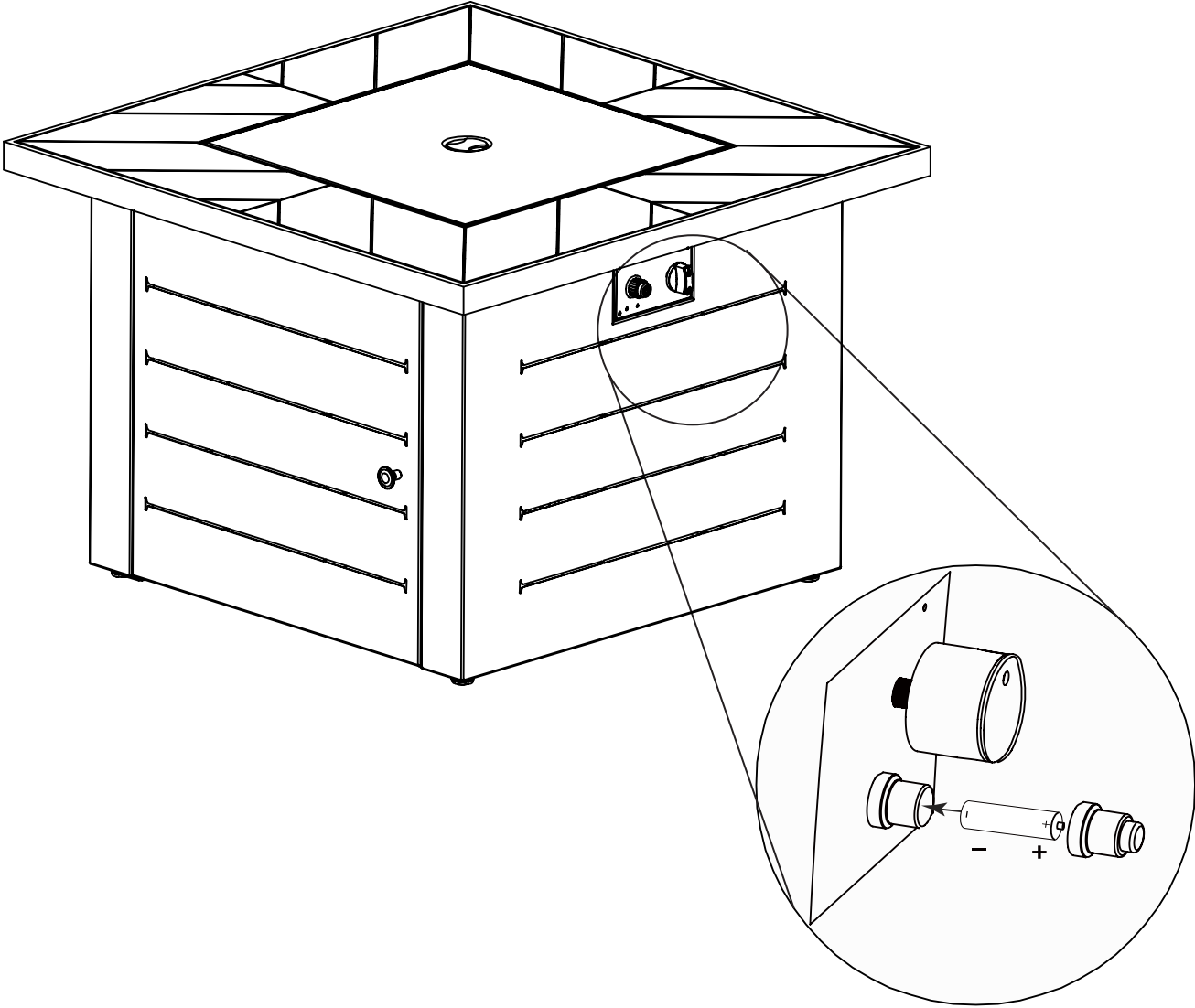
**⚠ CAUTION** Strong odours, colds, sinus congestion, etc. may prevent the detection of propane by smell. Use caution and common sense when testing for leaks.

Note: The leak test must be performed in an area that has adequate lighting in order to see if bubbles are developing and not in a windy or noisy area so larger leaks can be detected by smell or sound.

1. Create a mixture of 50% water and 50% liquid dishwashing soap.
2. Ensure all control knobs are set to the OFF position.
3. Turn on the gas at the cylinder valve. Turn the cylinder valve knob counter-clockwise until fully opened. If you hear a rushing sound or smell gas, turn the gas off. Tighten any leaking connections. If the leak is detected at connection nut and tightening does not stop leak, re-inspect propane tank rubber seal.
4. Apply the soapy water mixture to the following:

A) Supply tank (cylinder) welds	B) Connection nut to tank valve
C) Back side of connection nut to brass nipple	D) Brass nipple connection into regulator
E) Regulator connections to gas supply hoses	F) Hose connection to gas manifold
G) The full length of gas supply hose	H) Tank valve to cylinder
5. Check each place listed (A-H) for growing bubbles, which indicates a leak. Large leaks may not be detected by bubbles but should produce a rushing sound or gas smell.
6. Turn off gas supply at cylinder valve.
7. Turn on control knobs to release gas pressure in hose.
8. Turn control knobs to OFF position.
9. Tighten any leaking connections. If leak is detected at connection nut and tightening does not stop leak, re-inspect propane tank rubber seal.
10. Repeat soapy water test until no leaks are detected.
11. Turn off gas supply at cylinder valve until you are ready to use your fire pit.
12. Wash off soapy residue with cold water and towel dry.

**1x AAA Battery (included)**



**Caution:** Keep outdoor gas cooking appliance area clear and free from combustible materials, gasoline and other flammable vapours and liquids.

**Caution:** Do not obstruct the flow of combustion and ventilation air.

**Caution:** Check and clean burner/venturi tubes for insects and insect nests. A clogged tube can lead to a fire beneath the grill.

**Caution:** Attempting to light the burner with the lid closed may cause an explosion.

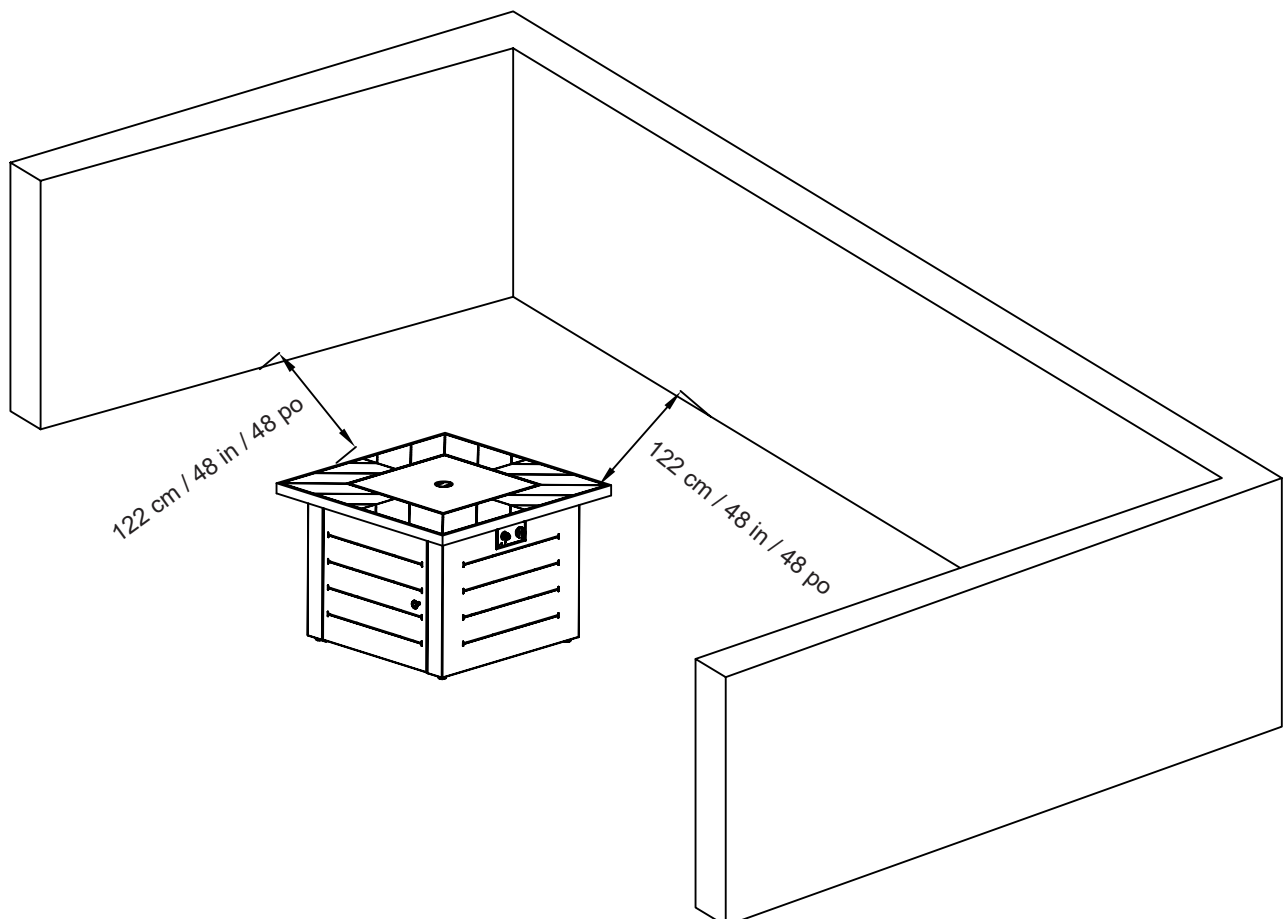
## • Lighting

1. Read instructions before lighting.
2. Control knob must be in the OFF position.
3. Connect propane cylinder/open the gas supply line.
4. Push and turn control knob counter clockwise to LOW. Hold the knob, until just before the flames go out.
5. Press the IGNITION button and hold for up to 5 seconds to light burner.
6. Release control knob after 15 seconds.
7. If ignition does not occur in 15 seconds, push and turn burner control knob to OFF, wait 5 minutes, and repeat lighting procedure.
8. If igniter does not light the burner, use a long match or long butane lighter.
9. Adjust to desired flame level with the control knob.

Minimum clearance: Top: 152 cm (5 ft /60 in) sides: 122 cm (4 ft /48 in)

Minimum clearance from sides and back of unit to adjacent combustible construction below top of unit, 122 cm (48 in) from sides, 122 cm (48 in) from back.

**CAUTION:** 9 kg (20 lb) LP cylinder only



<b>PROBLEM</b>	<b>POSSIBLE CAUSE</b>	<b>CORRECTIVE ACTION</b>
Burner won't light	Propane cylinder is empty	Replace propane cylinder
	Blockage in orifice	Clear blockage
	Control knob is not in ON position	Turn control knob to ON
Burner flame is low	Gas pressure is low	Turn cylinder valve OFF and fill the cylinder
	Outdoor temperature is less than 4.4 °C/40 °F and tank is less than 1/4 full	Use a full cylinder
	Blockage	Check burner and orifices for blockage
Carbon build-up	Dirt or film on reflector and burner screen	Clean reflector and burner screen
Thick black smoke	Blockage in burner	Remove blockage and clean burner inside and outside

**CAUTION:** All cleaning and maintenance should be done when fire pit is cool and with the fuel supply disconnected.

1. DO NOT clean any outdoor fire pit part in a self cleaning oven. The extreme heat will damage the finish.
2. Do not enlarge valve orifices or burner ports when cleaning the valves or burners.

## Notices

1. This outdoor fire pit should be thoroughly cleaned and inspected on a regular basis.
2. Abrasive cleaners will damage this product.
3. Never use oven cleaner to clean any part of outdoor fireplace.

## Before Each Use

1. Keep the outdoor fire pit area clean and free from any combustible materials, gasoline, and other flammable vapours and liquids.
2. Do not obstruct the flow of the combustion of LP and the ventilation air.
3. Keep the ventilation opening of the LP gas tank area free and clear from debris.
4. Visually check the burner flames to make sure your outdoor fire pit is working properly.
5. See sections below for proper cleaning instructions.
6. Check all gas connections for leaks.
7. Check components for any signs of damage or rust.
8. Check and clean the burner/venturi tubes for insects and insect nests. A clogged tube can lead to a fire beneath the outdoor fire pit.
9. If damage to any component is detected, do NOT operate until repairs are executed.

## Cleaning Surfaces

1. Wipe surfaces clean with mild dishwashing detergent or baking soda mixed with water.
2. Rinse clean with water.
3. Allow to air dry.

## Storage

Between uses:

- Turn control knob OFF.
- Disconnect LP source.
- Store fire pit upright in an area sheltered from direct contact with inclement weather (such as rain, sleet, hail, snow, dust and debris).
- If desired, cover fire pit to protect exterior surfaces and to help prevent build-up in air passages.

**Note: Wait until fire pit is cool before covering.**

## During periods of extended inactivity or when transporting:

- Turn Control Knob OFF.
- Disconnect LP source and move to a secure, well-ventilated location outdoors.
- Store fire pit upright in an area sheltered from direct contact with inclement weather (such as rain, sleet, hail, snow, dust and debris).
- If desired, cover fire pit to protect exterior surfaces and to help prevent build-up in air passages. Never leave LP cylinder exposed to direct sunlight or excessive heat.

**Note: Wait until fire pit is cool before covering.**

Before each use of appliance, inspect the hose and make sure to properly locate the gas. Always inspect the hose for evidence of excessive abrasion, cuts or wear prior to use, and make sure to leak test. The hose assembly must be replaced prior to the appliance being put into operation if there is evidence of excessive abrasion or wear or if the hose is damaged. The replacement hose assembly shall be that specified by the manufacturer.



**CARE AND MAINTENANCE / ENTRETIEN ET MAINTENANCE / CUIDADO Y MANTENIMIENTO****FOR DOMESTIC USE ONLY.**

**WICKER: CLEANING** – UV protected synthetic wicker allows colour retention after hours of outdoor use. Hose off outdoors for easy cleaning. Wipe up minor spills with a mild soap and damp cloth.

**GLASS TABLE TOPS: CLEANING** – Use mild soap and water or glass cleansers. Do not use abrasive materials or cleansers.

**STONE OR CERAMIC TOPS** – Don't use harsh abrasive cleansers on any of these products. For daily maintenance, use a wet cloth and a soft liquid cleaner.

**MAINTENANCE** – Store in a dry area out of the elements, or cover with furniture covers when not in use.

**POUR USAGE DOMESTIQUE SEULEMENT.**

**OSIER : NETTOYAGE** – La protection UV de l'osier synthétique lui permet de garder sa couleur après des heures d'usage extérieur. Arroser à l'extérieur pour un nettoyage facile. Essuyer les dégâts mineurs à l'aide d'un linge humide et d'un savon doux.

**DESSUS DE TABLES EN VERRE :**  
**NETTOYAGE** – Utiliser de l'eau et un savon doux ou des nettoyeurs à vitre. Ne pas utiliser de matériaux abrasifs.

**DESSUS DE TABLES EN PIERRE OU EN CÉRAMIQUE** – Ne pas utiliser de nettoyeurs abrasifs sur aucun de ces produits. Pour l'entretien quotidien, utiliser un chiffon humide et un nettoyeur liquide doux.

**ENTRETIEN** – Entreposer dans un endroit sec à l'abri des éléments ou couvrir à l'aide d'une housse lorsque le produit n'est pas utilisé.

**SÓLO PARA USO DOMÉSTICO.**

**MIMBRE: LIMPIEZA** – La protección UV del mimbre sintético le permite conservar su color después de muchas horas de uso al exterior. Lávelo al exterior con una manguera para facilitar la limpieza. Utilice un jabón suave y un paño húmedo.

**MESA DE VIDRIO: LIMPIEZA** – Utilice un jabón suave y agua o limpiadores de vidrio. No utilice materiales ni limpiadores abrasivos.

**MESAS EN PIEDRA O DE CERÁMICA** – No utilice los limpiadores abrasivos ásperos en ninguno de estos productos. Para mantenimiento diario, utilice un paño húmedo y un limpiador líquido suave.

**MANTENIMIENTO** – Guarde en un lugar seco alejado de la intemperie, o cúbralo con fundas protectoras para muebles cuando no está en uso.