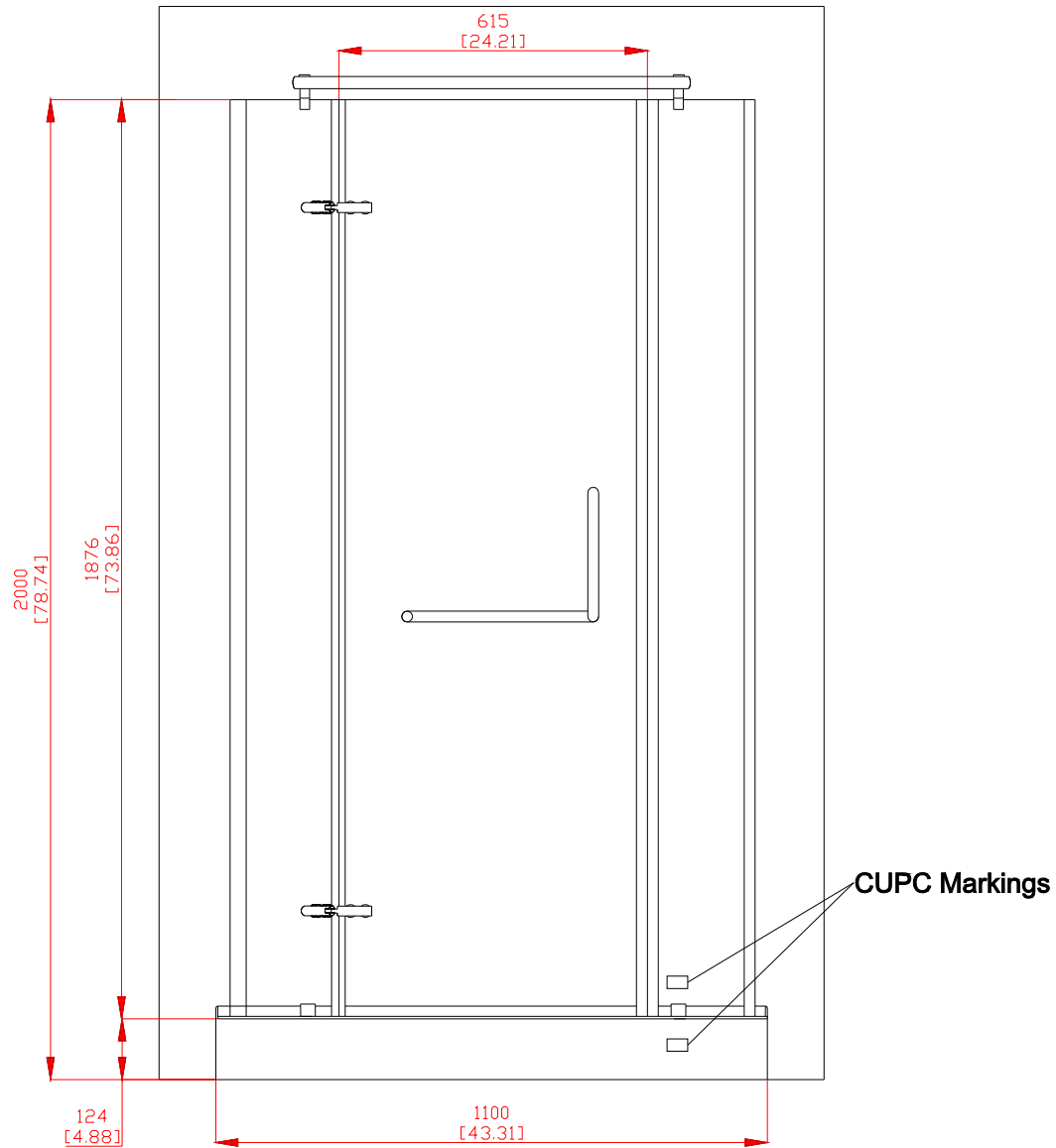


Materials		qt.
A	Aluminum support frames resistant to salt spray	4
B	Clear watertight PVC track for bottom of door	1
C	Stainless steel with satin finish handle	1
D	Brass hinges with satin finish 5mm	2
E	Acrylic base with fiberglass reinforcements	1
F	Stainless steel support bars with satin finish 0.8mm	3
G	Clear PVC magnetic tracks	2
H	Tempered glass panels 6mm (ISO Certificate)	3
I	CUPC markings	2
J	Clear watertight PVC track	1
K	Clear watertight PVC track for bottom of panels	2
L	Bottom hinges with satin finish 3.5mm	2

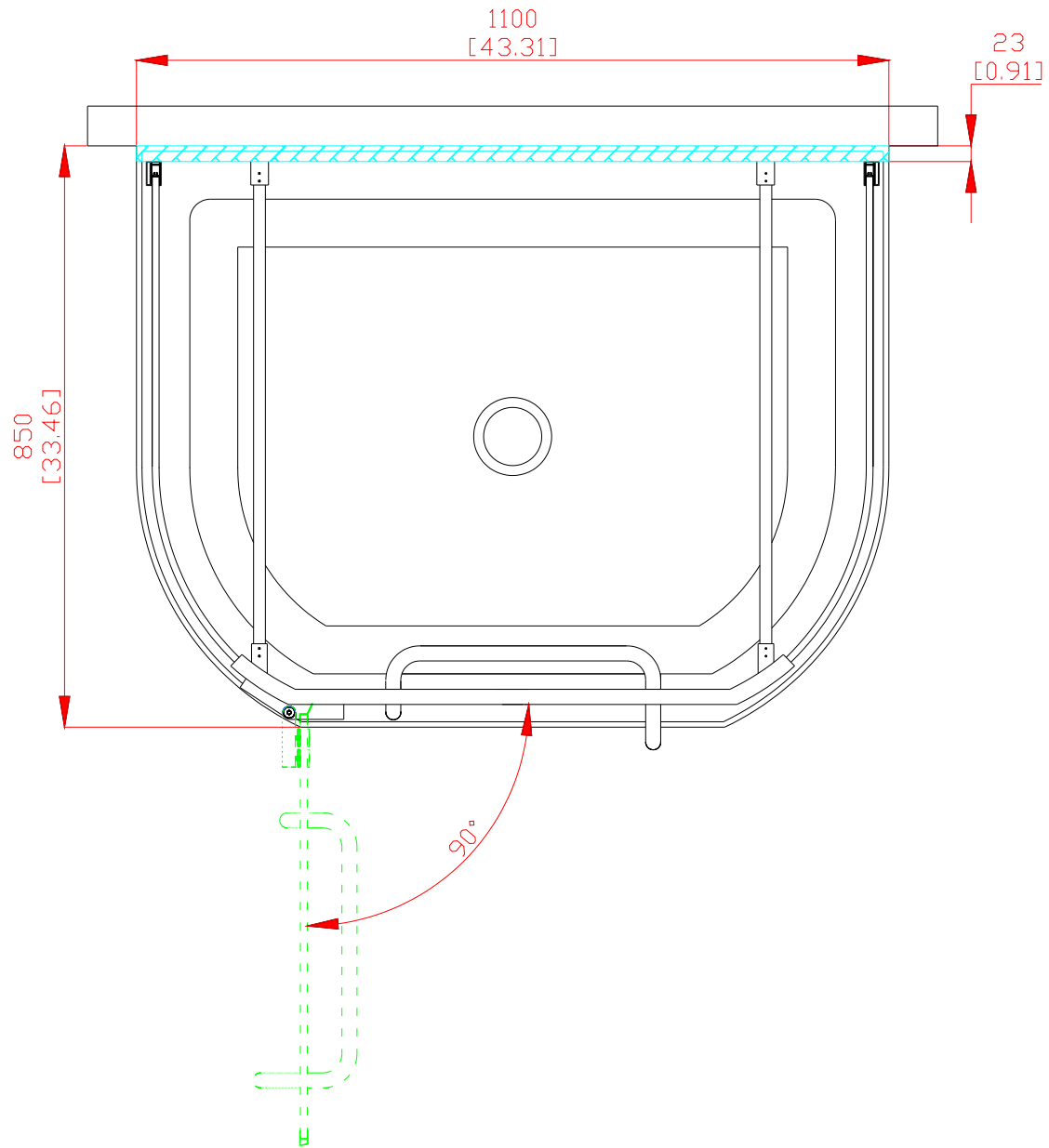
Name		Shower Stall			OVE DECORS				
Model		OWS-04			2800 ETIENNE LE NOIR				
Drwg#		01	Drawing not to scale			Laval, Quebec			
Revision #		2	Date		Signature	Canada			
Designed by		A. R. C.	07.05.07	Verified by	G. B.	Qty	1		
Proof read by		T. A.			H7R 0A3				
Processed by					Approved by				
					T. A.				





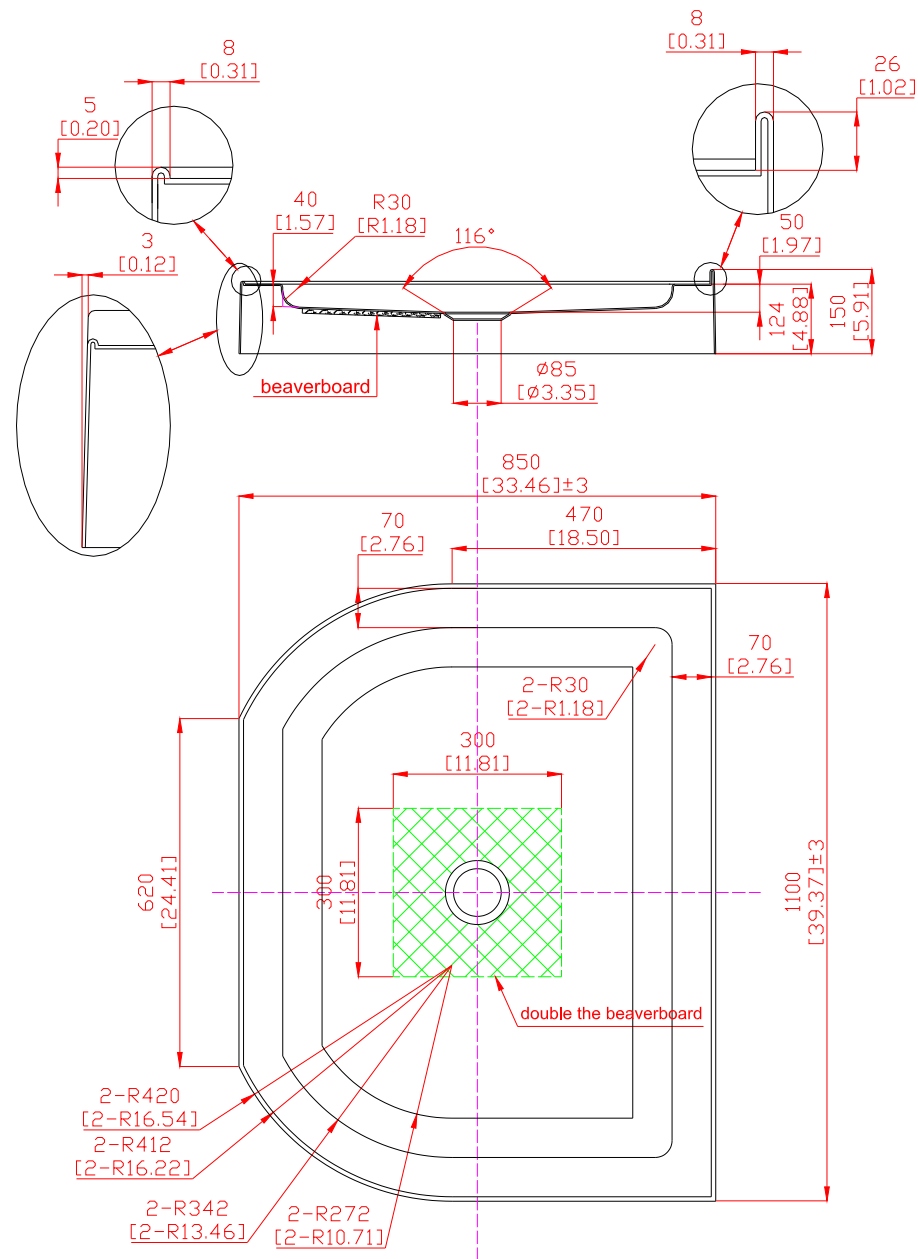
Name	Front View				OVE DECORS 2800 ETIENNE LE NOIR Laval, Quebec Canada H7R 0A3				
Model	OWS-04								
Drwg#	02	Drawing not to scale							
Revision #	2	Date		Signature					
Designed by	A. R. C.	07.05.07	Verified by	G. B.	Qty	1			
Proof read by	T. A.								
Processed by			Approved by	T. A.					





Name	Cross Section				OVE DECORS 2800 ETIENNE LE NOIR Laval, Quebec Canada H7R 0A3				
Model	OWS-04								
Drwg#	03	Drawing not to scale				Qty 1			
Revision #	2	Date		Signature					
Designed by	A. R. C.	07.05.07	Verified by	G. B.					
Proof read by	T. A.								
Processed by			Approved by	T. A.					





Name	Base				OVE DECORS			
Model	OWS-04				2800 ETIENNE LE NOIR			
Drwg#	04	Drawing not to scale			Laval, Quebec			
Revision #	2	Date		Signature	Canada			
Designed by	A. R. C.	07.05.07	Verified by	G. B.	Qty	1		
Proof read by	T. A.				H7R 0A3			
Processed by			Approved by	T. A.				

