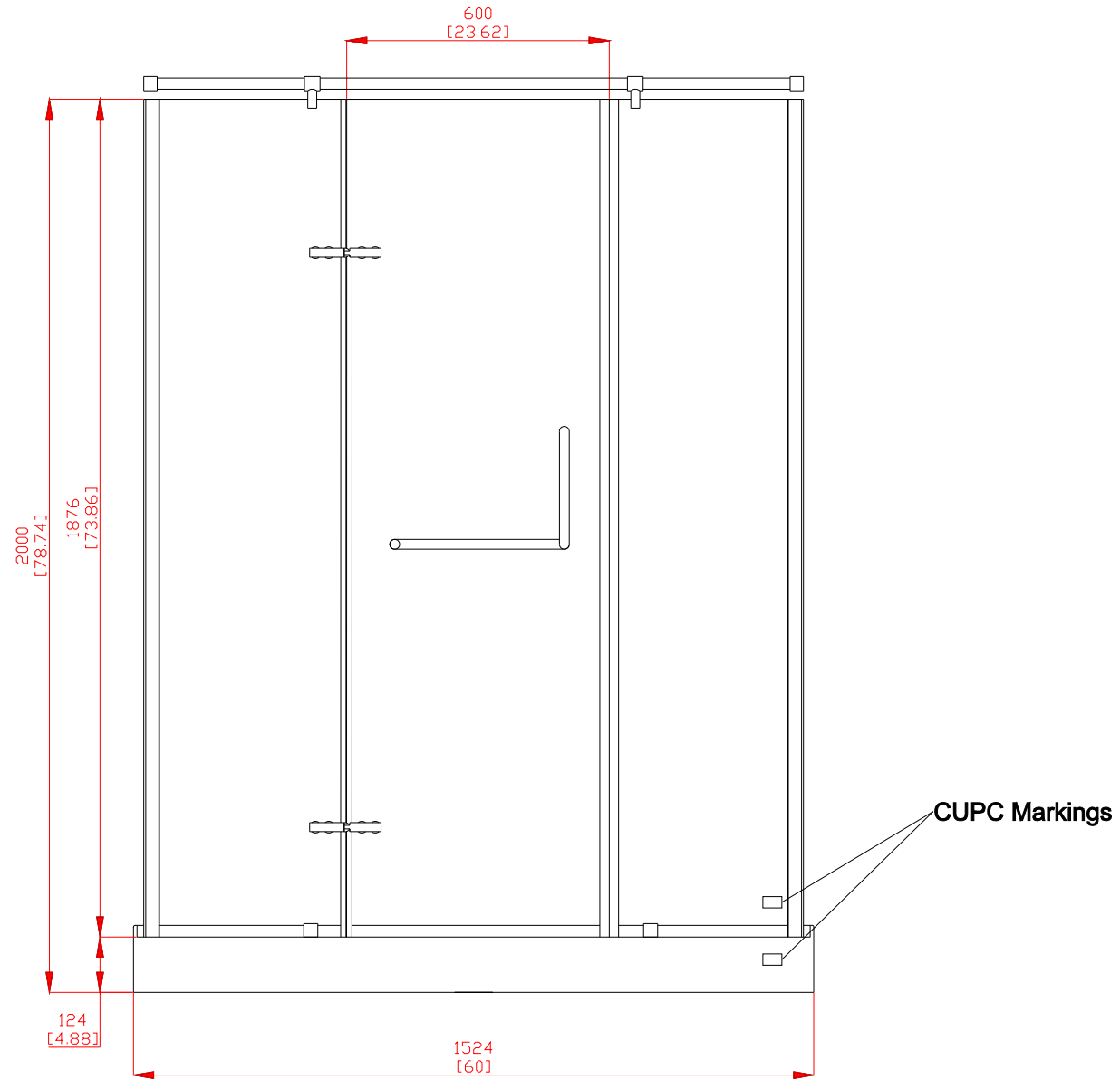


Materials		qt.
A	Aluminum support frames resistant to salt spray	4
B	Tempered glass panels 10mm (ISO Certificate)	3
C	Clear PVC magnetic tracks	2
D	Stainless steel with satin finish handle	1
E	Acrylic base with fiberglass reinforcements	1
F	CUPC markings	2
G	Clear watertight PVC track for bottom of door	1
H	Bottom hinges with satin finish 3.5mm	2
I	Clear watertight PVC track for bottom of panels	2
J	Stainless steel support bars with satin finish 0.8mm	1
K	Clear watertight PVC track	1
L	Brass hinges with satin finish 5mm	2

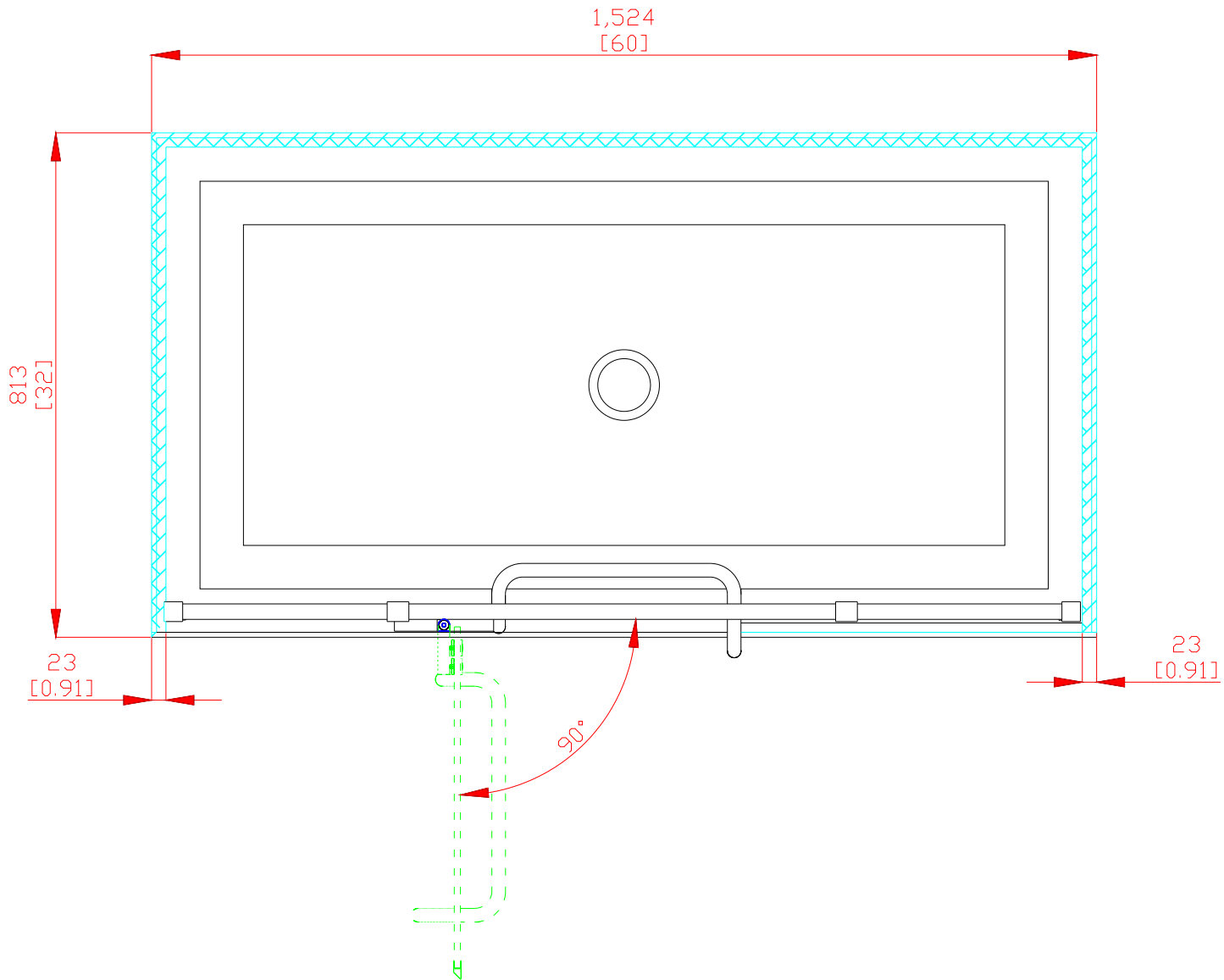
Name	Shower Stall				OVE DECORS 2800 ETIENNE LE NOIR Laval, Quebec Canada H7R 0A3			
Model	OWS-03							
Drwg#	01	Drawing not to scale						
Revision #	1	Date		Signature				
Designed by	A. R. C.	10.07.07	Verified by	G. B.	Qty	1		
Proof read by	T. A.							
Processed by			Approved by	T. A.				





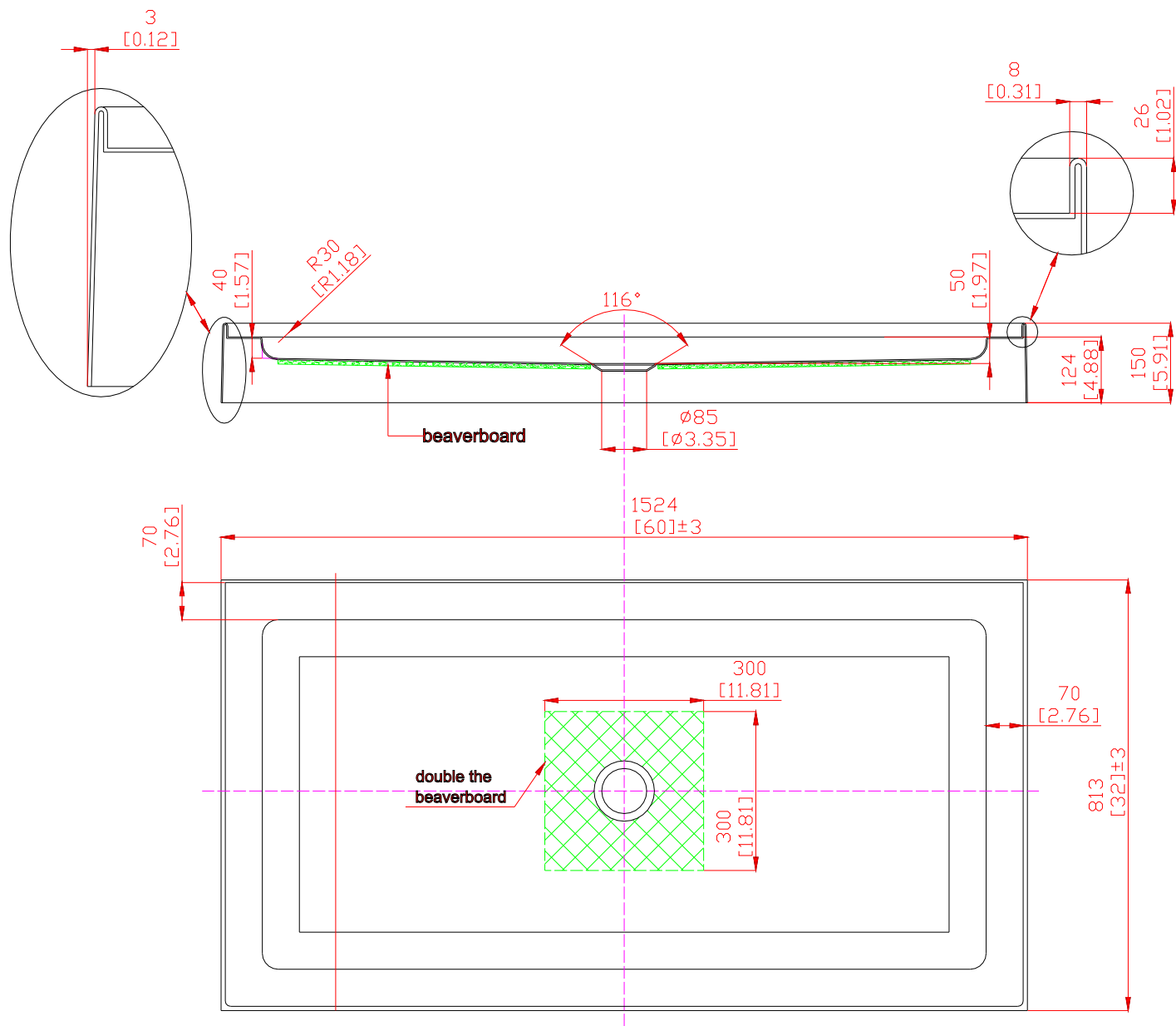
Name	Front View				OVE DECORS				
Model	OWS-03				2800 ETIENNE LE NOIR				
Drwg#	02	Drawing not to scale				Laval, Quebec			
Revision #	1	Date		Signature	Canada				
Designed by	A. R. C.	10.07.07	Verified by	G. B.	Qty	1			
Proof read by	T. A.				H7R 0A3				
Processed by			Approved by	T. A.					





Name	Cross Section				OVE DECORS 2800 ETIENNE LE NOIR Laval, Quebec Canada H7R 0A3			
Model	OWS-03							
Drwg#	03	Drawing not to scale						
Revision #	1	Date		Signature				
Designed by	A. R. C.	10.07.07	Verified by	G. B.	Qty	1		
Proof read by	T. A.							
Processed by			Approved by	T. A.				





Name	Base				OVE DECORS			
Model	OWS-03				2800 ETIENNE LE NOIR			
Drwg#	04	Drawing not to scale			Laval, Quebec			
Revision #	1	Date		Signature	Canada			
Designed by	A. R. C.	10.07.07	Verified by	G. B.	Qty	1		
Proof read by	T. A.				H7R 0A3			
Processed by			Approved by	T. A.				

