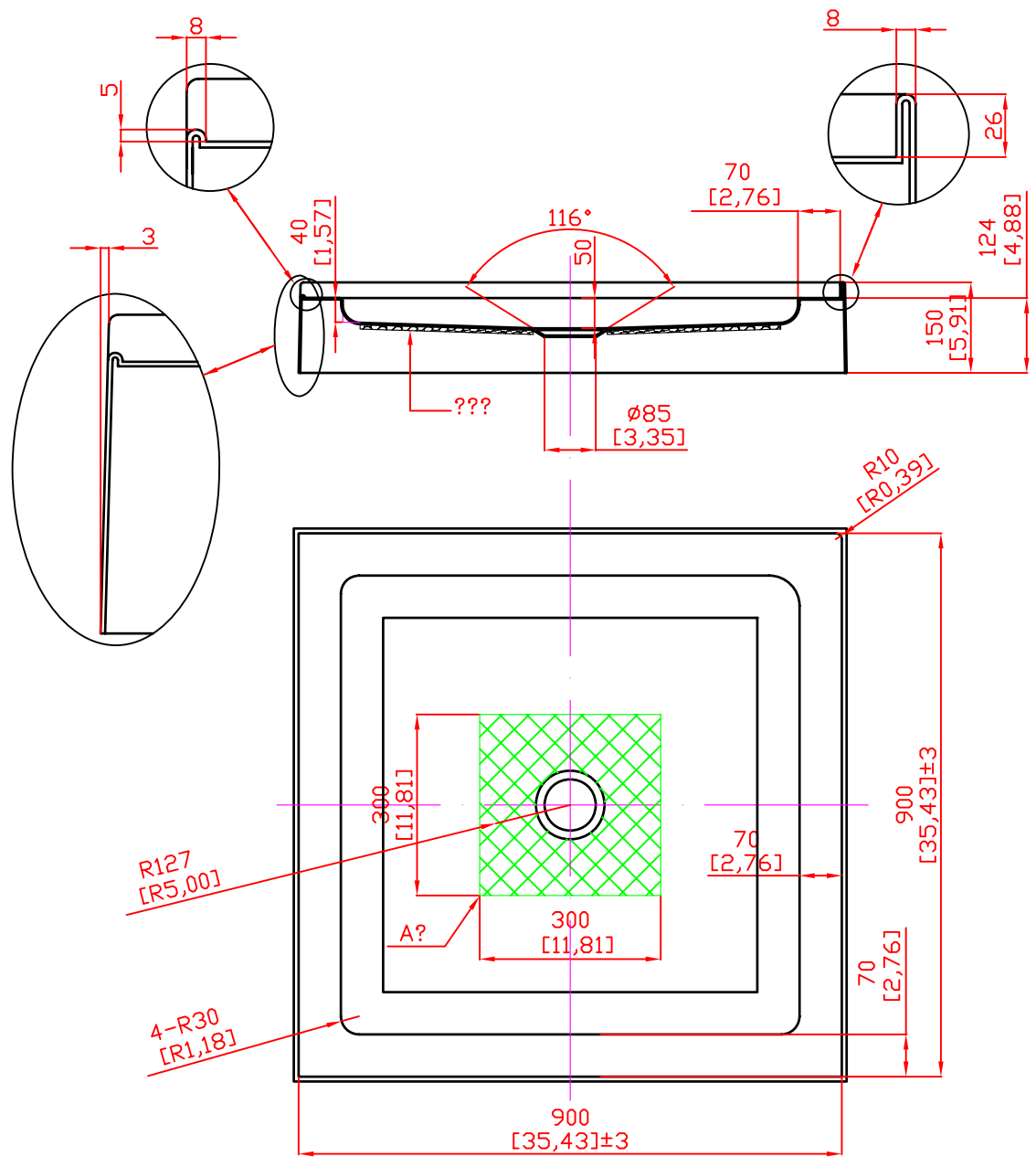


Materials		qt.
A	Aluminium support frames resistant to salt spray	6
B	Glass panels (ISO certificate)	4
C	Zinc alloy handles	2
D	PVC Plastic magnetic tape	2
E	Watertight tape (PVC transparent plastic)	1
F	Acrylic base with fiberglass reinforcement	1
G	Rubber protected glass hidden in the aluminum frame	6
H	CUPC markings	2

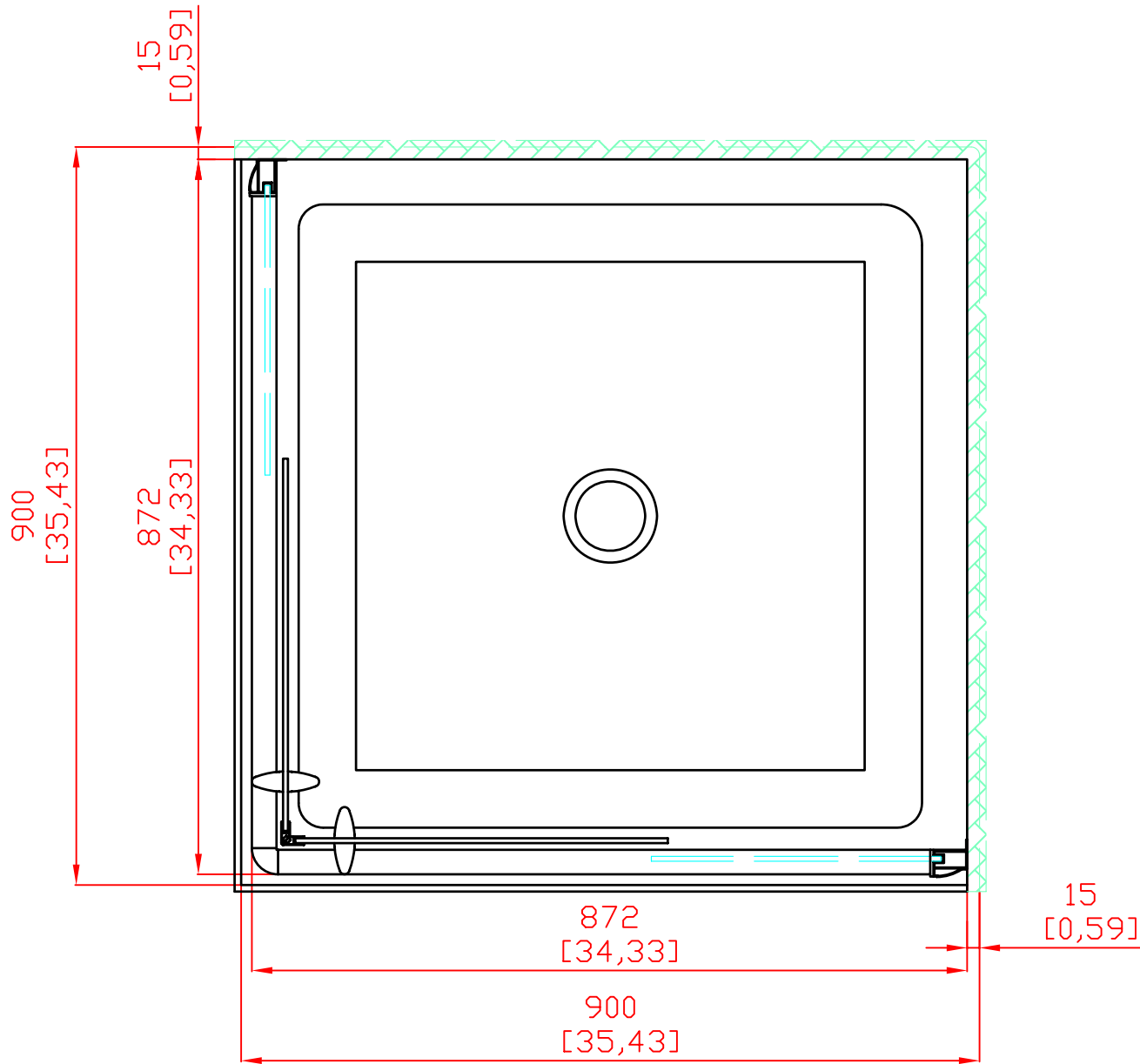
Name		Shower		OVE DECORS 2800 ETIENNE LE NOIR Laval, Quebec Canada H7R 0A3	
Model		OWS-314			
Drwg #	02	Drawing not to scale			
Revision #	2	Date		Signature	
Designed by	A.R.C.	03.11.07	Verified by	G.B.	Qty 1
Proofread by	T.A.				
Processed by			Approved by	T.A.	





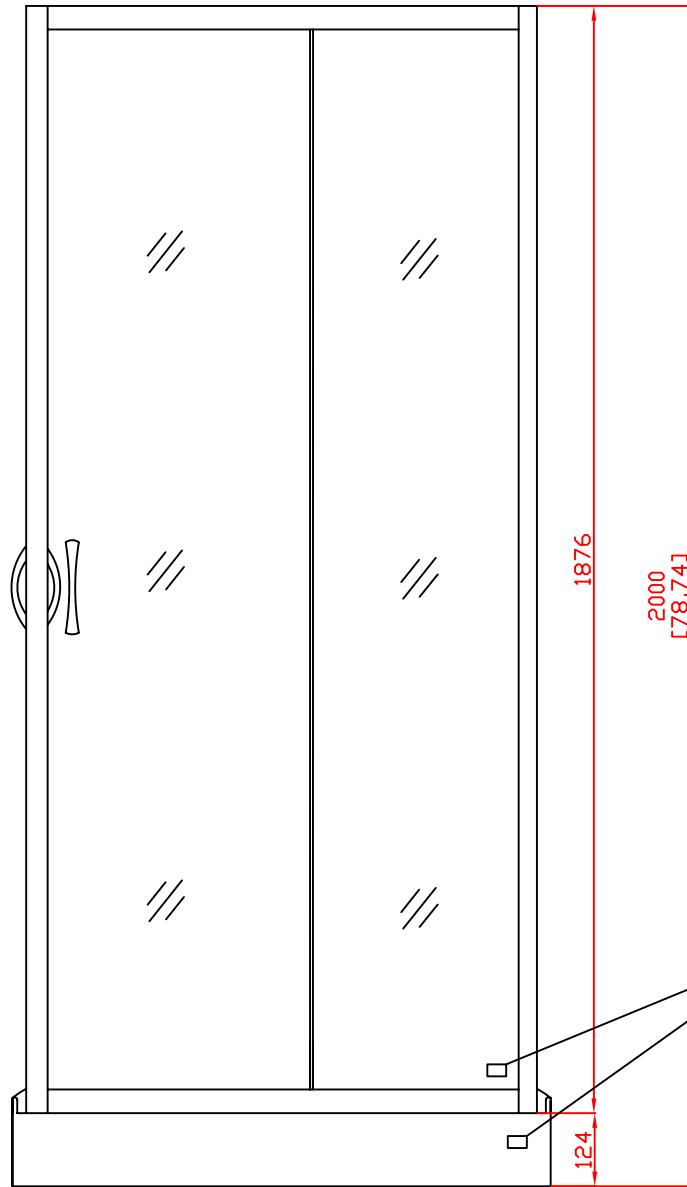
Name	Acrylic Shower Base			OVE DECORS			
Model	OWS-308			2800 ETIENNE LE NOIR			
Drwg #	02	Drawing not to scale		Laval, Quebec			
Revison #	2	Date		Signature			
Designed by	A.R.C.	03.11.07	Verified by	G.B.	Qty	1	
Proofread by	T.A.						
Processed by			Approved by	T.A.			





Name	Acrylic Shower Base				OVE DECORS 2800 ETIENNE LE NOIR Laval, Quebec Canada H7R 0A3			
Model	OWS-308							
Drwg #	02	Drawing not to scale			Qty 1			
Revisi #	2	Date		Signature				
Designed by	A.R.C.	03.11.07	Verified by	G.B.				
Proofread by	T.A.							
Processed by			Approved by	T.A.				





CUPC stickers

Name	Shower				OVE DECORS 2800 ETIENNE LE NOIR Laval, Quebec Canada H7R 0A3			
Model	OWS-308							
Drwg #	02	Drawing not to scale			Qty 1			
Revison #	2	Date		Signature				
Designed by	A.R.C.	03.11.07	Verified by	G.B.				
Proofread by	T.A.							
Processed by			Approved by	T.A.				

