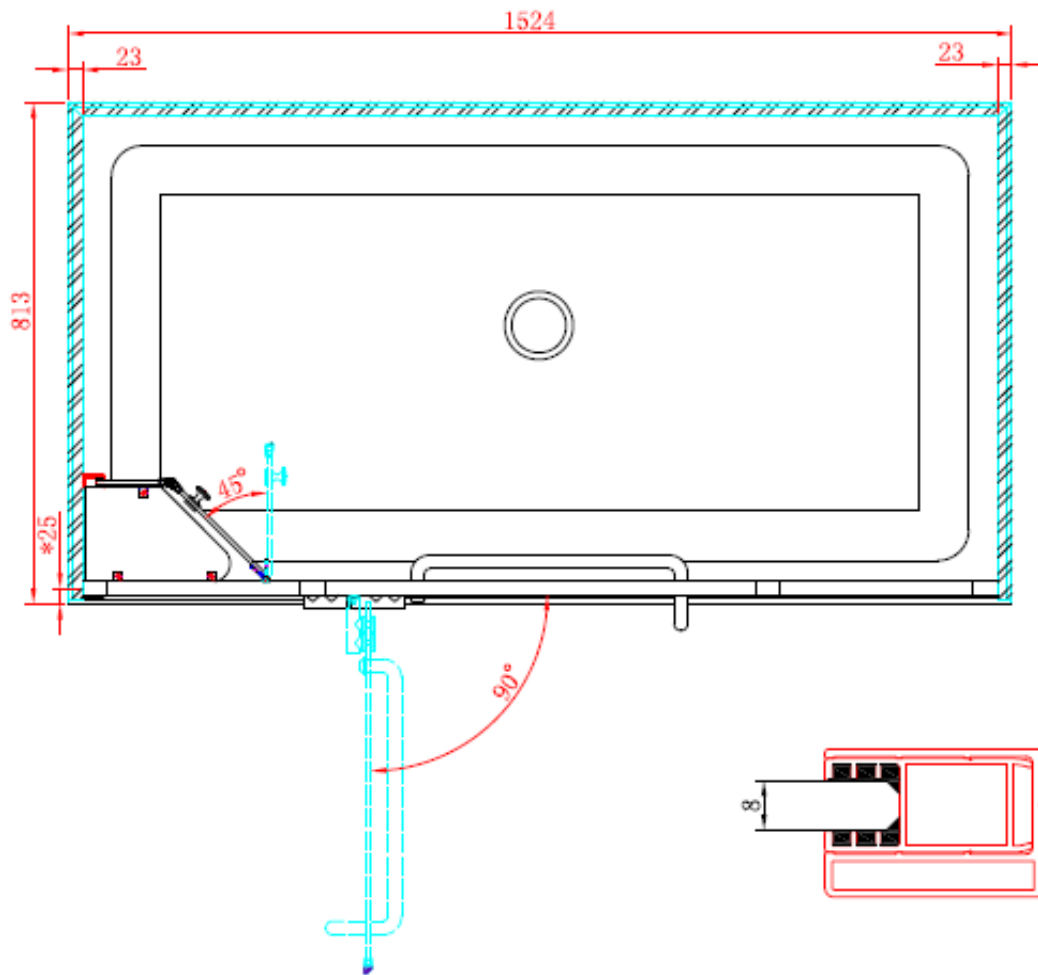
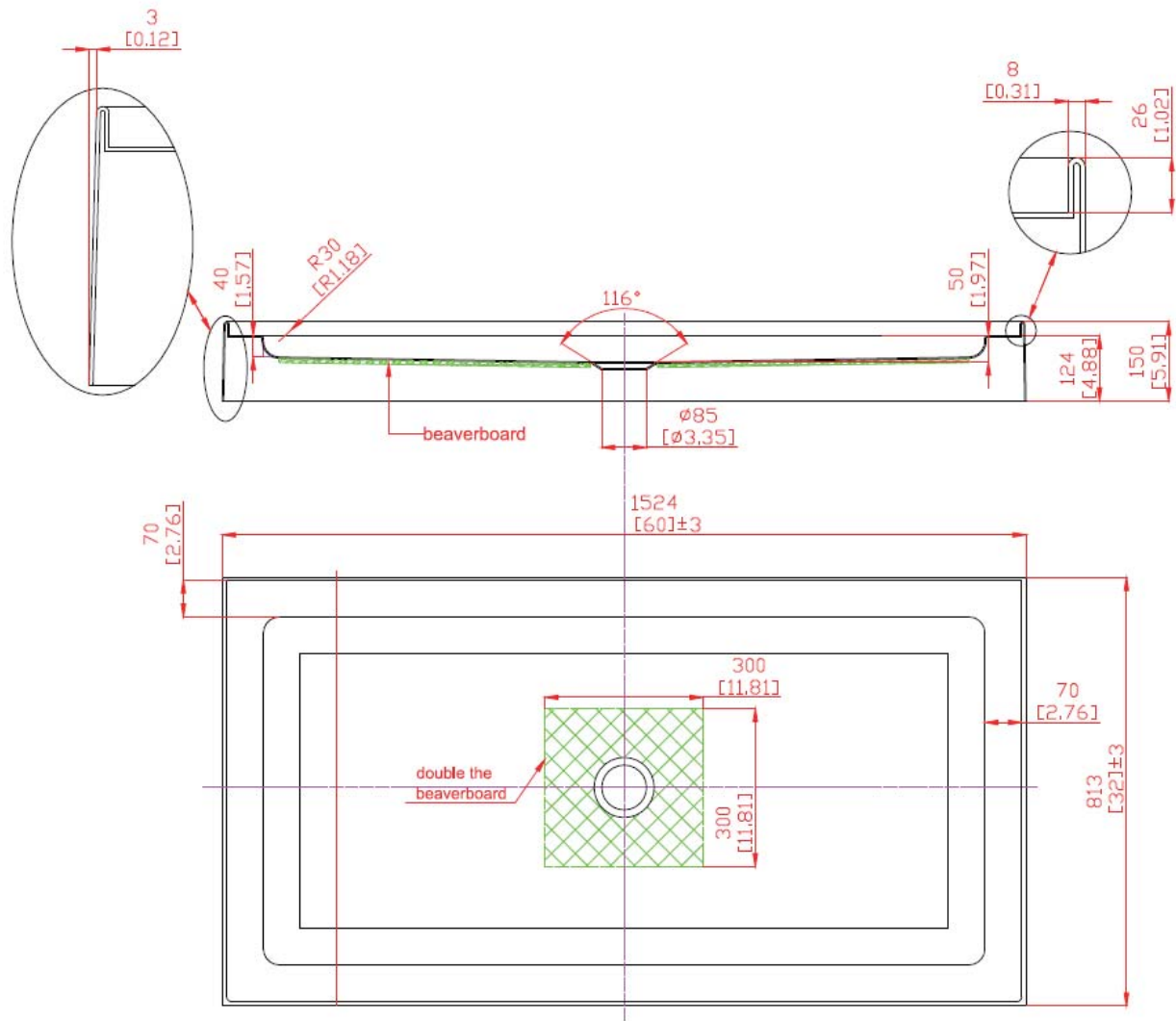


**Unit: mm**



Unit: mm



Unit: mm [inch]