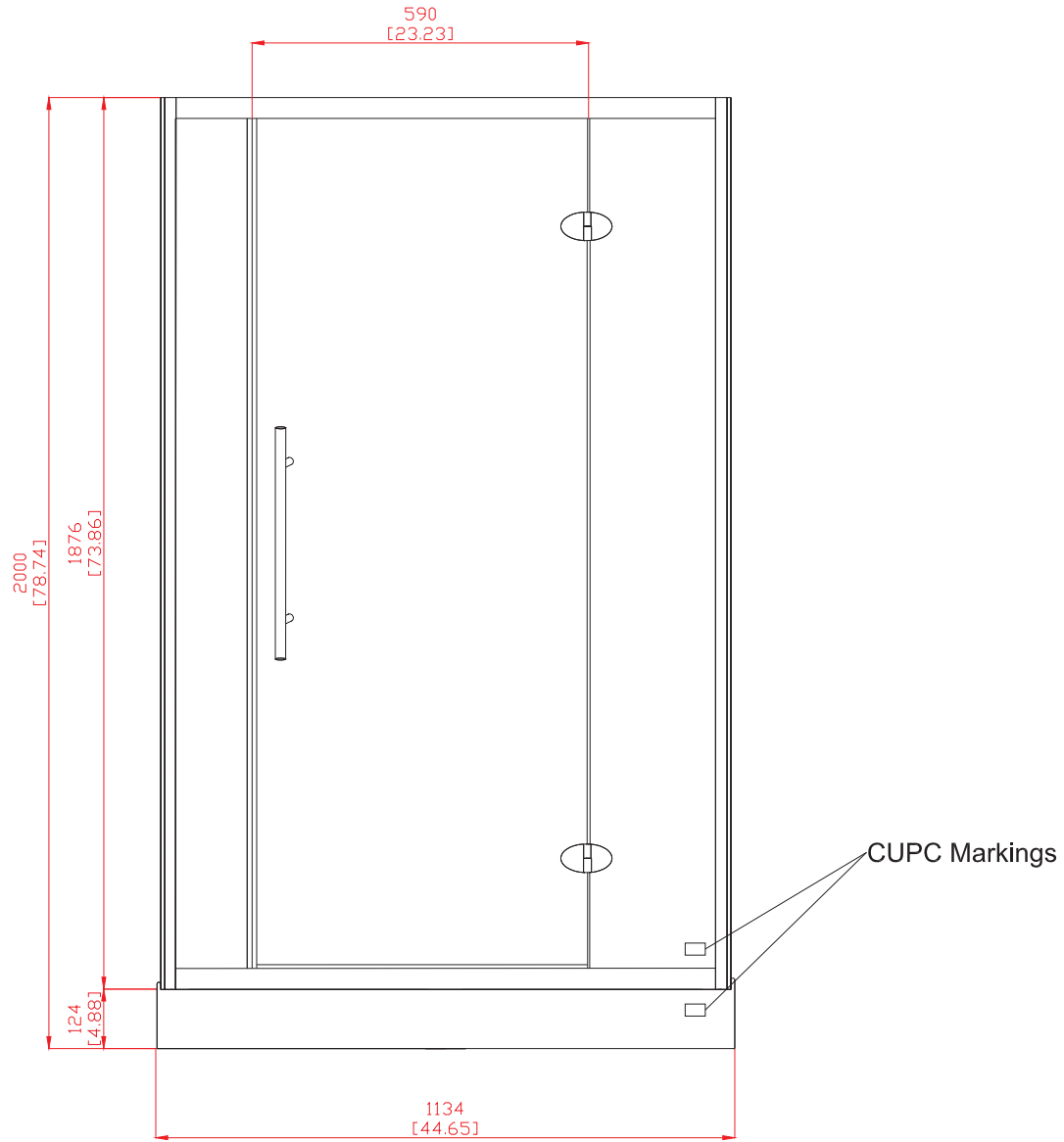


Materials		
A	Aluminum support frames resistant to salt spray	6
B	Tempered glass panels 16mm 9ISO Certificate:	3
C	Stainless steel with satin finish handle	1
D	Clear PVC magnetic tracks	2
E	Clear watertight PVC track	1
F	Brass hinges with satin finish 4mm	2
G	Acrylic base with fiberglass reinforcements	1
H	CUPC markings	2
I	Clear watertight PVC track for bottom of door	1

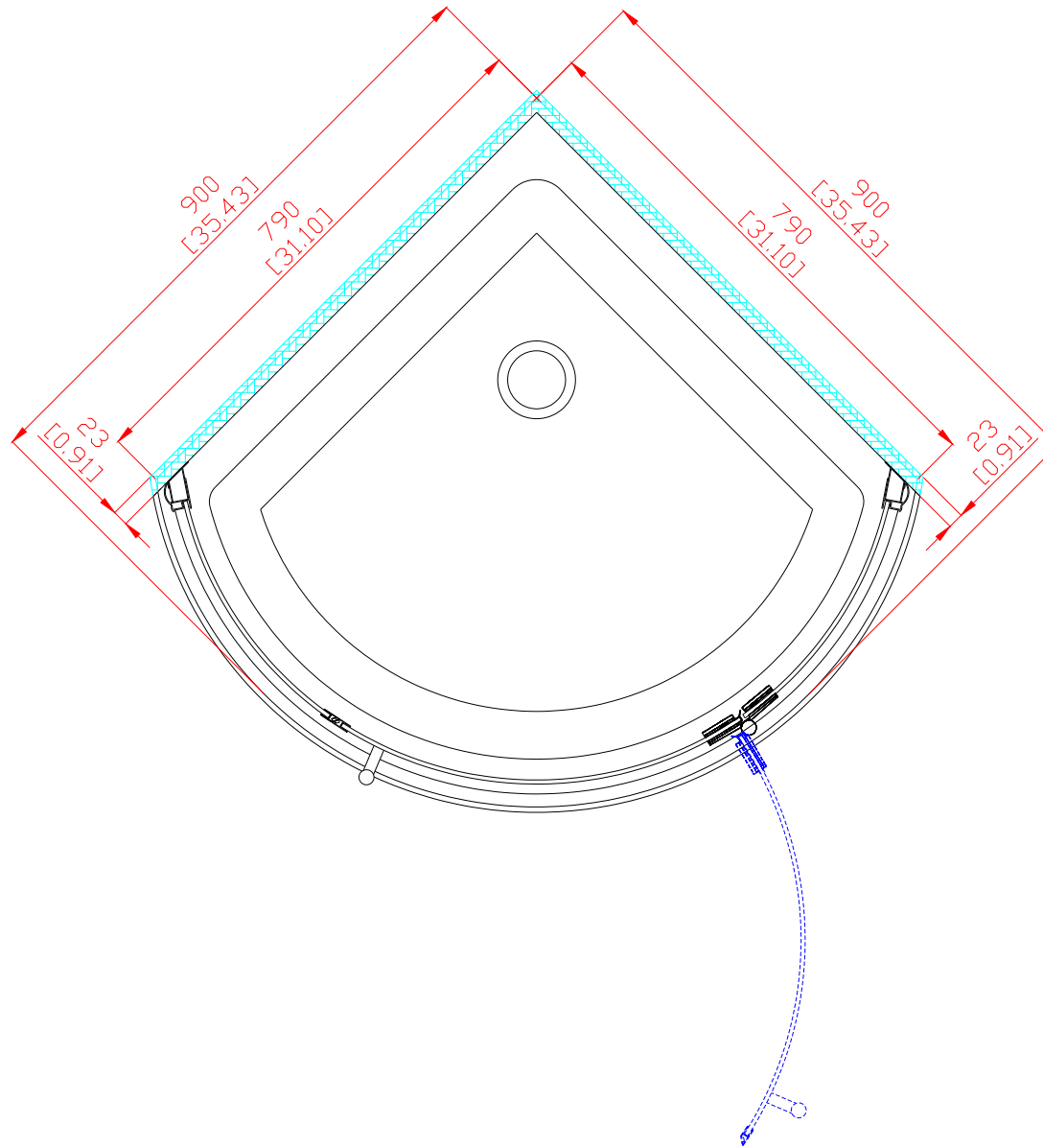
Name		Shower Stall		OVE DECORS		28001 ETIENNE 1LE 1NOIR	
Model		OWS-304		Laval-Quebec		Canada	
Drwg#		101		Drawing not to scale		H7R10A3	
Revision		2		Date		Signature	
Designed by		A?R?C?		03.28.07		Verified 11by G?B?	
Proofread 111by		T?A?				Qty 1	
Processed 111by				Approved 11by		T?A	





Name	Front1View				OVE1DECORS			
Model	OWS-304				28001ETIENNE1LE1NOIR			
Drwg#	102	Drawing1not1to1scale			Laval=Quebec			
Revision	2	Date		Signature	Canada			
Designed by	A?R?C?	04.09.07	Verified 111by	G?B?	Qty	1		
Proofread 111by	T?A?				H7R10A3			
Processed 111by			Approved 111by	T?A				





Name	Cross1Section				OVE1DECORS			
Model	OWS-304				28001ETIENNE1LE1NOIR			
Drwg	103	Drawing1not1to1scale			Laval=Quebec			
Revision	2	Date		Signature	Canada			
Designed by	A?R?C?	03.28.07	Verified 111by	G?B?	Qty	1		
Proofread 1111by	T?A?				H7R10A3			
Processed 1111by			Approved 111by	T?A				

