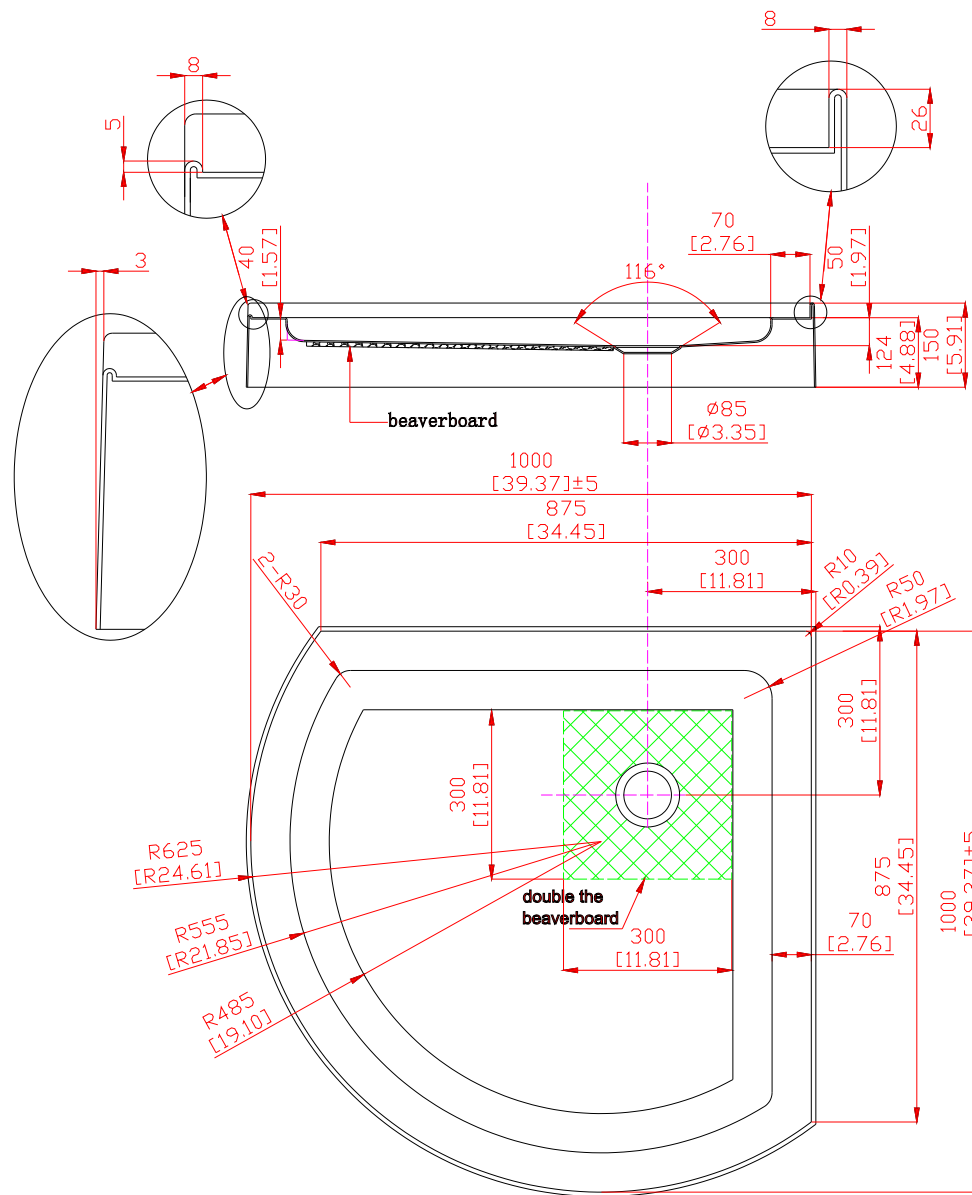


Materials		qt.
<b>A</b>	Aluminium support frames resistant to salt spray	2
<b>B</b>	Tempered glass panels 6mm (ISO certified)	3
<b>C</b>	Stainless steel with satin finish handle	1
<b>D</b>	PVC Plastic magnetic tape	2
<b>E</b>	Watertight tape (PVC transparent plastic)	2
<b>F</b>	Acrylic base with fiberglass reinforcement	1
<b>G</b>	CUPC markings	2
<b>H</b>	Brass hinges with satin finish 4mm	2
<b>I</b>	Bottom Hinges with satin finish 3.5mm	2

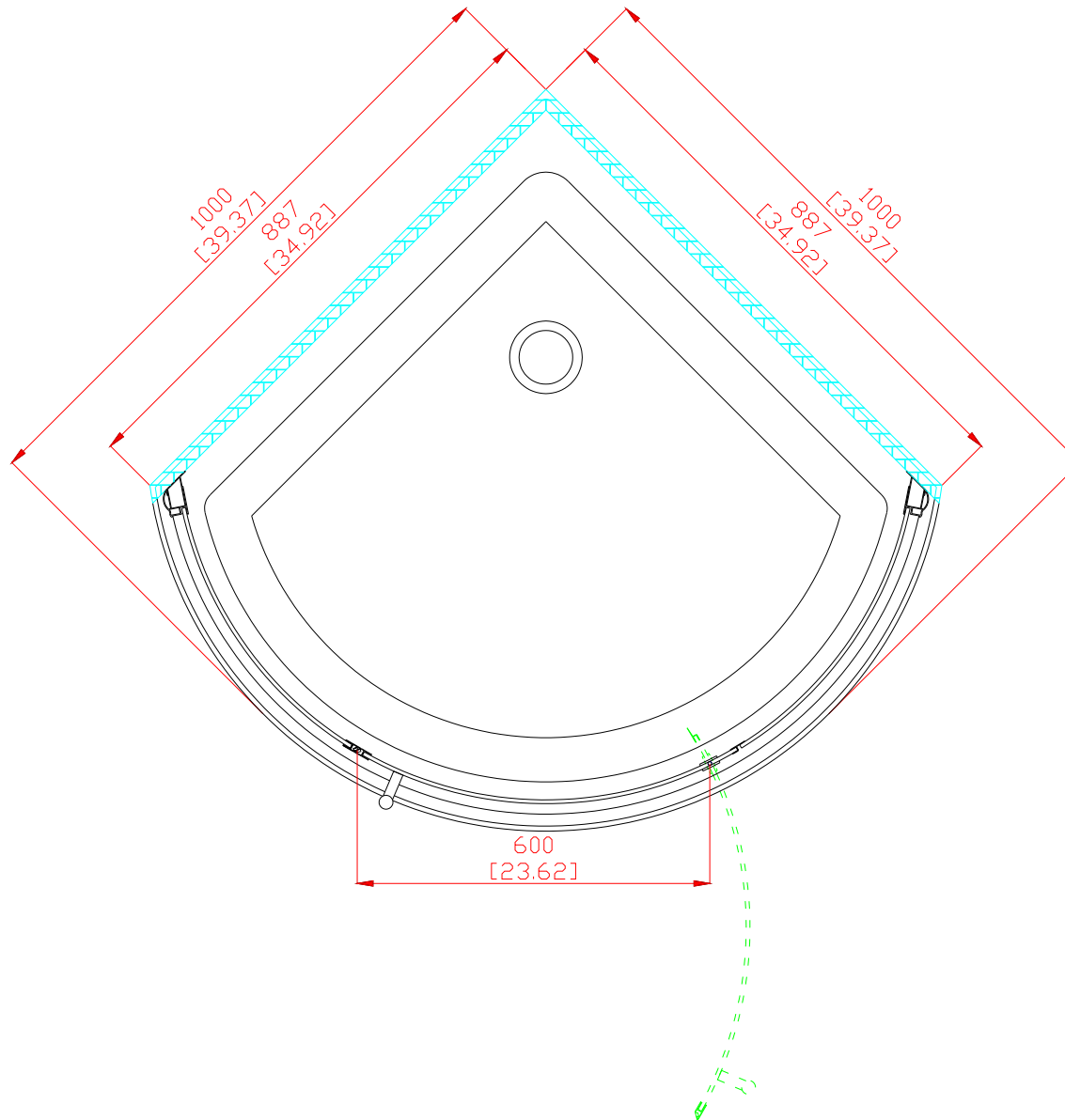
Name	Shower				OVE DECORS 2800 ETIENNE LE NOIR Laval, Quebec Canada H7R 0A3				
Model	OWS-303C								
Drwg #	02	Drawing not to scale			Qty	1			
Revision #	2	Date		Signature					
Designed by	A.R.C.	07.01.26	Verified by	G.B.					
Proofread by	T.A.								
Processed by			Approved by	T.A.					





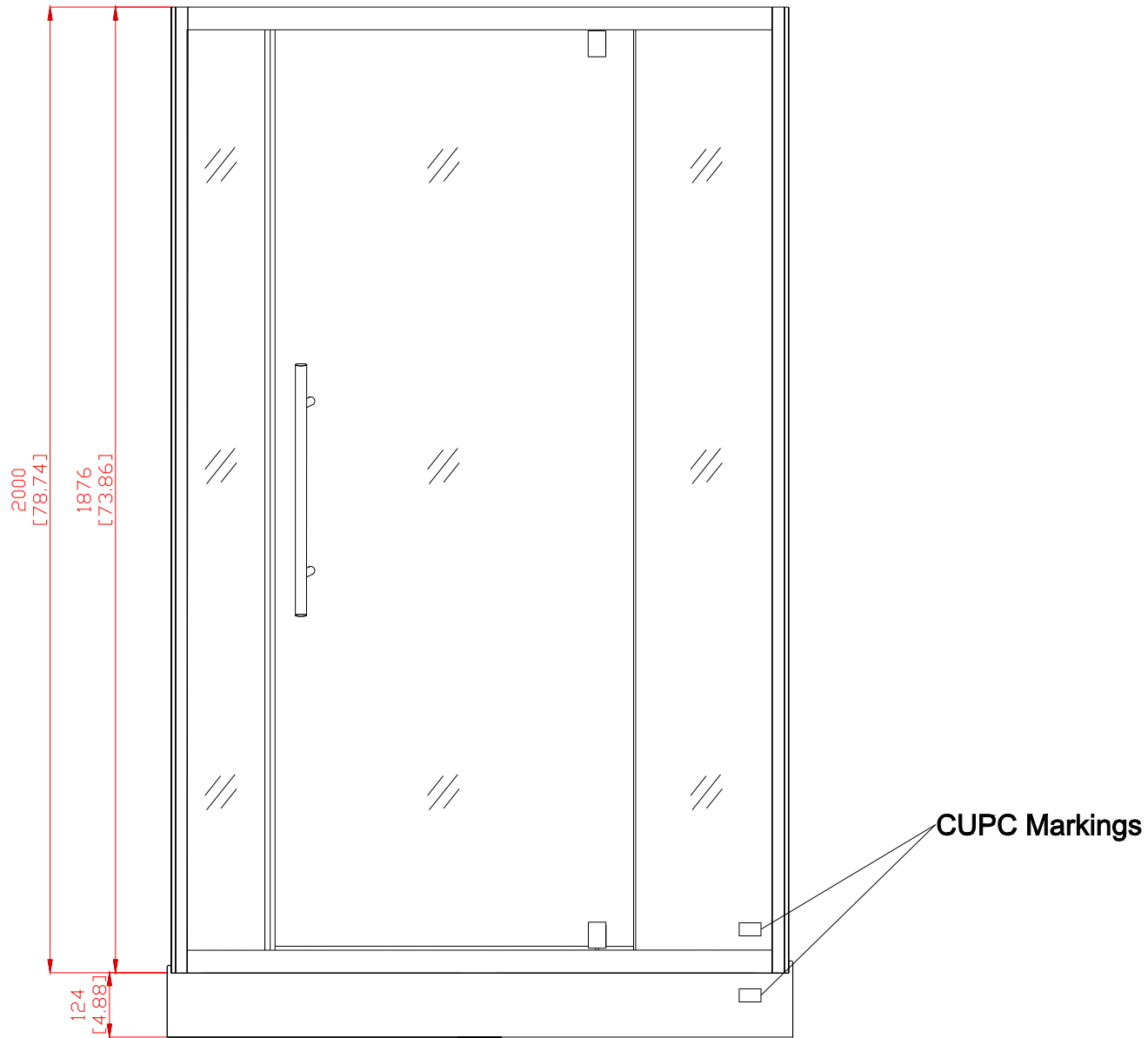
Name	Acrylic Shower Base				OVE DECORS			
Model	OWS-303C				2800 ETIENNE LE NOIR			
Drwg #	02	Drawing not to scale			Laval, Quebec			
Revisi #	2	Date		Signature	Canada			
Designed by	A.R.C.	07.01.26	Verified by	G.B.	Qty	1		
Proofread by	T.A.				H7R 0A3			
Processed by			Approved by	T.A.				





Name	Acrylic Shower Base				OVE DECORS			
Model	OWS-303C				2800 ETIENNE LE NOIR			
Drwg #	02	Drawing not to scale			Laval, Quebec			
Revison #	2	Date		Signature	Canada			
Designed by	A.R.C.	07.01.26	Verified by	G.B.	Qty	1		
Proofread by	T.A.							
Processed by			Approved by	T.A.				





Name	Shower				OVE DECORS			
Model	OWS-303C				2800 ETIENNE LE NOIR			
Drwg #	02	Drawing not to scale			Laval, Quebec			
Revison #	2	Date		Signature	Canada			
Designed by	A.R.C.	07.01.26	Verified by	G.B.	Qty	1		
Proofread by	T.A.				H7R 0A3			
Processed by			Approved by	T.A.				

